

Serie | 4, telescopic cooker hood, 90 cm, Silver metallic DFS097A50B

A



Telescopic cooker hoods extend when in use and slide neatly away when not in operation.

- **Extra silent:** the high-performance hood, with minimal noise.
- **Grease filtration level:** filters out over 85% of the grease from kitchen air.
- **EcoSilence Drive™:** the powerful, energy-saving drive for hoods.
- **LED illumination:** The energy-saving lighting provides bright and clear lighting for the hob area.
- **Intensive speed setting:** removes strong kitchen odours quickly and effectively.

Technical Data

Typology : Pull-out

Approval certificates : CE, G-Mark, VDE

Length electrical supply cord : 175 cm

Required niche size for installation (HxWxD) : 385mm x 524.0mm x 290mm mm

Minimum distance above an electric hob : 430 mm

Minimum distance above a gas hob : 650 mm

Net weight : 13.8 kg

Type of control : Electronic

Maximum output air extraction : 408 m³/h

Boost position output recirculating : 496 m³/h

Maximum output recirculating air : 358 m³/h

Boost position air extraction : 758 m³/h

Number of lights : 2

Noise level : 54 dB(A) re 1 pW

Diameter of air outlet : 150 / 120 mm

Grease filter material : Washable aluminium

EAN code : 4242002918334

Connection Rating : 146 W

Fuse protection : 10 A

Voltage : 220-240 V

Frequency : 60; 50 Hz

Plug type : GB plug

Installation typology : Built-in

Optional accessories

DSZ4561 : Standard odor filter (replacement)

DSZ4565 : Standard recirculation kit

DSZ4920 : Installation kit for 90cm wide wall unit

DSZ4960 : Lowering frame

DWZ0IT0P0 : Long Life odor filter (replacement)

DWZ1IT1D1 : Long Life recirculation kit external

DWZ1IX1C6 : Clean Air Plus recirc. kit external



4 242002 918334

**Serie | 4, telescopic cooker hood, 90 cm,
Silver metallic
DFS097A50B**

**Telescopic cooker hoods extend when in use
and slide neatly away when not in operation.**

Key Information

- Electronic control
- Electronic control via Soft touch button control
- Efficient BLDC technology

Design

- 90 cm wide
- Silver metallic lacquer
- Telescopic hood
- Handle strip specification: stainless steel without logo
- For installation into a 60cm or 90cm wide cupboard

Features

- Soft touch button control with Electronic display
- 3 power levels & intensive setting
- Automatic intensive revert (6mins)
- Automatic after running (10 min)
- Pyramid filter
- 2 x LED lights
- Neutral white lights
- 3 metal grease filter cassettes
- Removable metal grease filters

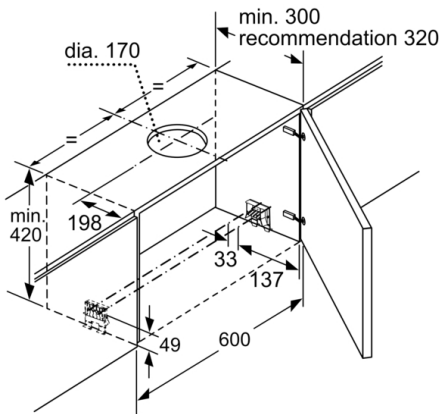
Performance/technical information

- Installation system: Telescopic comfort installat.
- Suitable for ducted or recirculating operation
- Extraction rate according to EN 61591 \varnothing 15 cm:
max. Normal use 407 m³/h
Intensive 758 m³/h
- Extraction rate exhaust air according to EN 61591:
max. normal use 407 m³/h, intensive 758 m³/h
- Noise level according to EN 60704-3 and EN 60704-2-13
exhaust air:
Max. normal use: 54 dB(A) re 1 pW
Intensive: 69 dB(A) re 1 pW
- Noise max. Normal Level: 54 dB*
- With the Clean Air Plus recirculation kit (available as optional
accessory) your appliances reaches:
Extraction rate in recirculation mode:
Max. normal use: 358 m³/h
Intensive: 496 m³/h
Noise level in recirculation mode:
Max. normal use: 60 dB(A) re 1 pW
Intensive: 67 dB(A) re 1 pW
- Average Energy Consumption: 38.5 kWh/year*
- Energy Efficiency Class: A (at a range of energy efficiency
classes from A+++ to D)
- Blower Efficiency Class: A*
- Lighting Efficiency Class: A*
- Grease Filtering Efficiency Class: B*
- Dimensions (HxWxD): 426 x 898 x 290 mm
- Dimensions exhaust air (HxWxD): 426-426 x 898 x 290 mm
- Dimensions recirculating (HxWxD): 426-426 x 898 x 290 mm
- Diameter pipe \varnothing 150 mm (\varnothing 120 mm enclosed)
- Light Intensity: 615 lux
- Colour Temperature: 3500 K

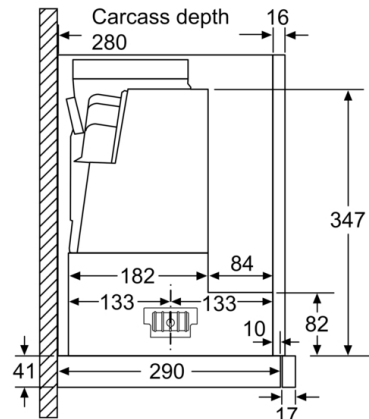
Accessories

- For recirculated extraction recirculating kit or CleanAir
recirculating kit (accessory) needed

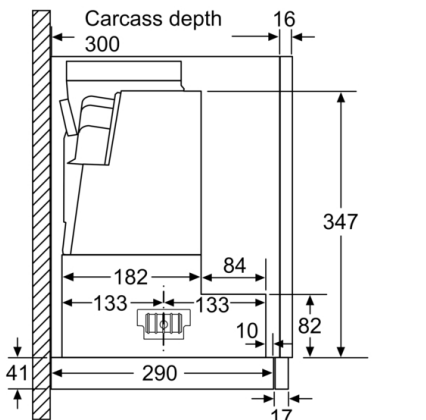
**Serie | 4, telescopic cooker hood, 90 cm,
Silver metallic
DFS097A50B**



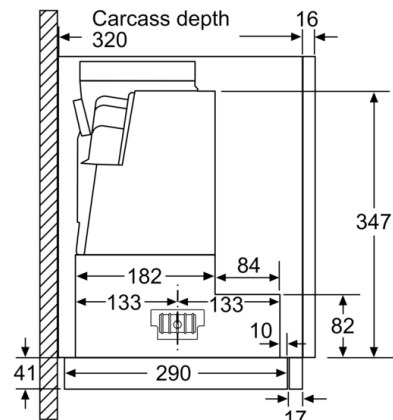
measurements in mm



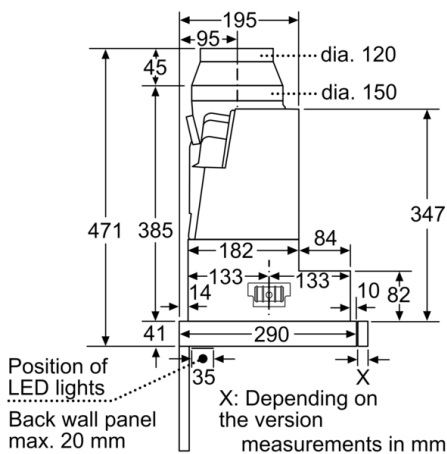
measurements in mm



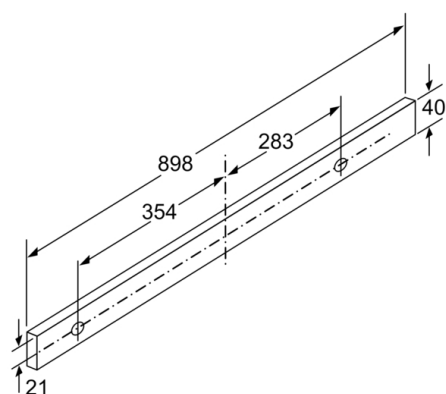
measurements in mm



measurements in mm

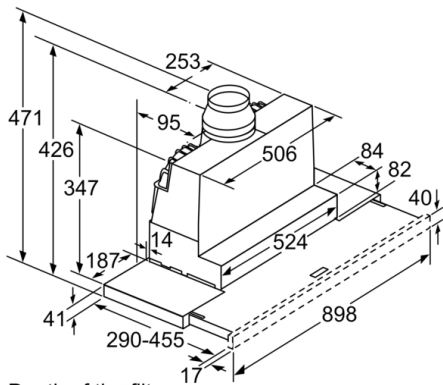


measurements in mm

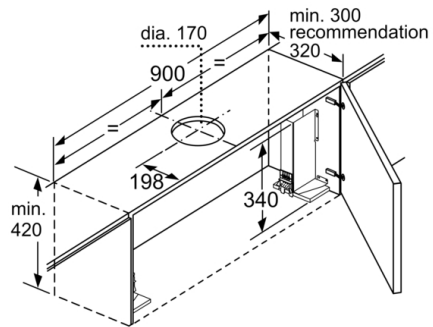


measurements in mm

**Serie | 4, telescopic cooker hood, 90 cm,
Silver metallic
DFS097A50B**



Depth of the filter
drawer can be adjusted
by up to 29 mm
measurements in mm



When installing the 90 cm telescopic hood in
a 90 cm wide wall-hanging cupboard,
a mounting kit is required. The two mounting
brackets are screwed onto the left and right of the
kitchen unit. Installation in accordance with template.
measurements in mm