

**Serie | 8, telescopic cooker hood, 60 cm, Stainless steel
DFS067J50B**



Optional accessories

DSZ4561 : Standard odor filter (replacement)
DSZ4565 : Standard recirculation kit
DSZ4660 : Lowering frame
DWZ0IT0P0 : Long Life odor filter (replacement)
DWZ1IT1D1 : Long Life recirculation kit external

B

Telescopic cooker hoods extend when in use and slide neatly away when not in operation.

- **Intensive speed setting:** removes strong kitchen odours quickly and effectively.

Technical Data

Typology : Pull-out
Approval certificates : CE, VDE
Length electrical supply cord : 175 cm
Required niche size for installation (HxWxD) : 385mm x 524.0mm x 290mm mm
Minimum distance above an electric hob : 430 mm
Minimum distance above a gas hob : 650 mm
Net weight : 12.316 kg
Type of control : Electronic
Number of speed settings : 3-stage + 2 intensive
Maximum output air extraction : 381 m³/h
Boost position output recirculating : 628 m³/h
Maximum output recirculating air : 358 m³/h
Boost position air extraction : 677 m³/h
Number of lights : 2
Noise level : 56 dB(A) re 1 pW
Diameter of air outlet : 150 / 120 mm
Grease filter material : Washable stainless steel
EAN code : 4242002918952
Connection Rating : 146 W
Fuse protection : 10 A
Voltage : 220-240 V
Frequency : 60; 50 Hz
Plug type : GB plug
Installation typology : Built-in



4 242002 918952

Serie | 8, telescopic cooker hood, 60 cm, Stainless steel DFS067J50B

**Telescopic cooker hoods extend when in use
and slide neatly away when not in operation.**

Key Information

- Electronic control via TouchControl
- Efficient BLDC technology

Design

- 60 cm wide
- Brushed steel
- Telescopic hood
- Stainless steel and black fascia panel with Bosch logo
- For installation into a 60cm wide cupboard

Features

- TouchControl with lightline
- 3 power levels and 2 intensive settings
- Automatic intensive revert (6mins)
- Automatic after running (10 min)
- Additional noise reduction insulation
- Silence kit
- 2 x LED lights
- Softlight dimmer function
- Dimmer function
- Neutral white lights
- 2 metal grease filter cassettes
- Removable metal grease filters

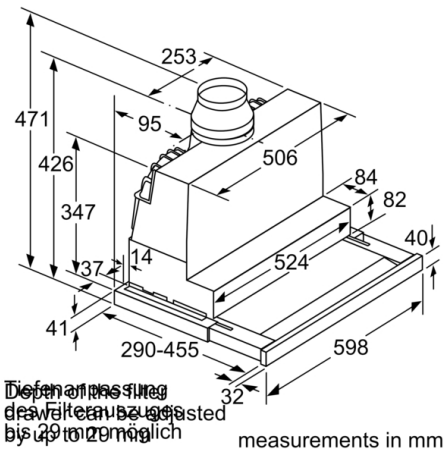
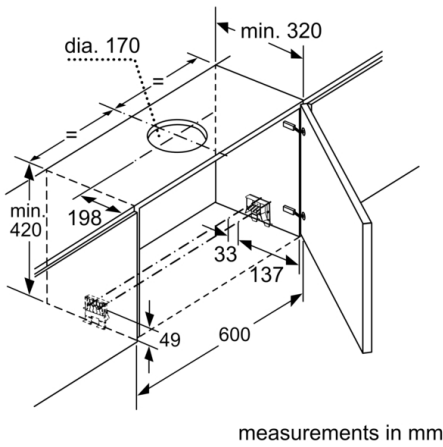
Performance/technical information

- Telescopic easy installation
- Suitable for ducted or recirculating operation
- Extraction rate according to EN 61591 \varnothing 15 cm: max. Normal use 381 m³/h Intensive 677 m³/h
- Extraction rate exhaust air according to EN 61591: max. normal use 381 m³/h, intensive 677 m³/h
- Power rating: 146 W
- Noise level according to EN 60704-3 and EN 60704-2-13 exhaust air: Max. normal use: 56 dB(A) re 1 pW Intensive: 67 dB(A) re 1 pW
- Noise max. Normal Level: 56 dB*
- Average Energy Consumption: 41.3 kWh/year*
- Energy Efficiency Class: B (at a range of energy efficiency classes from A+++ to D)
- Blower Efficiency Class: B*
- Lighting Efficiency Class: A*
- Grease Filtering Efficiency Class: B*
- Dimensions (HxWxD): 426 x 598 x 290 mm
- Dimensions exhaust air (HxWxD): 426-426 x 598 x 290 mm
- Dimensions recirculating (HxWxD): 426-426 x 598 x 290 mm
- Diameter pipe \varnothing 150 mm (\varnothing 120 mm enclosed)
- Light Intensity: 711 lux
- Colour Temperature: 3500 K

Accessories

- For recirculated extraction recirculating kit or CleanAir recirculating kit (accessory) needed

**Serie | 8, telescopic cooker hood, 60 cm,
Stainless steel
DFS067J50B**



Definieren Sie
den Filterauslass
so weit möglich
von unten

