

**Serie | 8, downdraft hood, 90 cm,
clear glass black printed
DDA097G59B**



C

- **Intensive speed setting:** removes strong kitchen odours quickly and effectively.

Technical Data

Typology :	Traditional
Approval certificates :	CE, G-Mark, VDE
Length electrical supply cord (cm) :	150
Required niche size for installation (HxWxD) :	652mm x 812.0mm x 113mm
Height of product, without chimney (mm) :	651
Net weight (kg) :	35.061
Type of control :	Electronic
Number of speed settings :	4-stage + 1 intensive
Maximum output air extraction (m ³ /h) :	530
Boost position output recirculating (m ³ /h) :	680.0
Boost position air extraction (m ³ /h) :	710
Number of lights :	1
Noise level (dB(A) re 1 pW) :	65
Diameter of air outlet (mm) :	150
Grease filter material :	Washable aluminium
EAN code :	4242002932392
Connection Rating (W) :	285
Current (A) :	10
Voltage (V) :	220-240
Frequency (Hz) :	50
Plug type :	GB plug
Installation typology :	Built-in

Optional accessories

DHZ5376 : Standard odor filter



Serie | 8, downdraft hood, 90 cm, clear glass black printed DDA097G59B

Accessories

- For recirculated extraction charcoal filter (accessory) needed

Key Information

- Electronic control via TouchControl
- Interval operation

Design

- 90 cm wide
- Brushed steel
- Downdraft, Worktop ventilation
- For installation in a kitchen cabinet

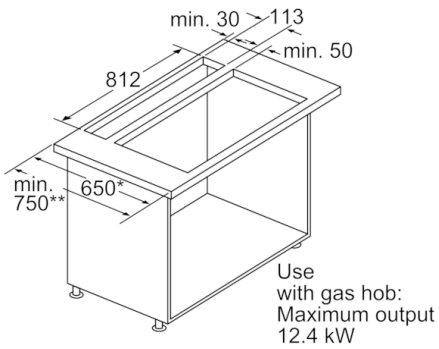
Features

- TouchControl with Electronic display
- 4-speed + intensive operation
- Automatic intensive revert (6mins)
- Automatic after running (15 min)
- Rim ventilation
- Neutral white lights
- 2 metal grease filter cassettes
- Removable metal grease filters
- Saturation indicator for metal and charcoal filter
- Filter saturation indicator

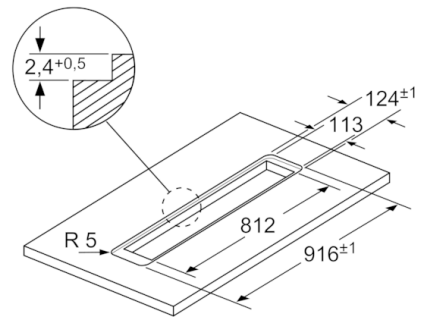
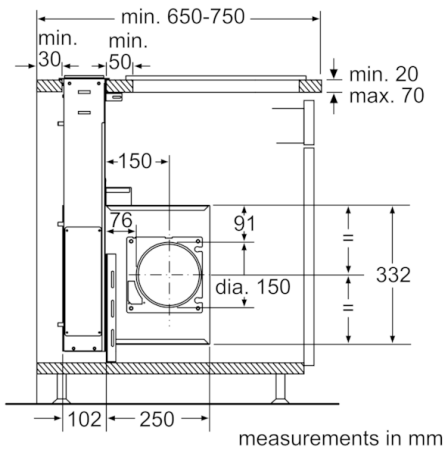
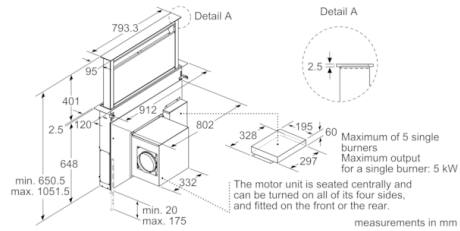
Performance/technical information

- Suitable for ducted or recirculating operation
- Extraction rate according to EN 61591 \varnothing 15 cm: max. Normal use 450 m³/h Intensive 710 m³/h
- Extraction rate exhaust air according to EN 61591: max. normal use 450 m³/h, intensive 710 m³/h
- Power rating: 285 W
- Noise level according to EN 60704-3 and EN 60704-2-13
exhaust air: Max. normal use: 61 dB(A) re 1 pW Intensive: 70 dB(A) re 1 pW
- Noise max. Normal Level: 65 dB*
- Average Energy Consumption: 109.1 kWh/year*
- Energy Efficiency Class: C (at a range of energy efficiency classes from A+++ to D)
- Blower Efficiency Class: C*
- Lighting Efficiency Class: A*
- Grease Filtering Efficiency Class: D*
- Dimensions (HxWxD): 651 x 912 x 352 mm
- Dimensions exhaust air (HxWxD): 651-1052 x 912 x 352 mm
- Dimensions recirculating (HxWxD): 651-1052 x 912 x 352 mm
- Diameter pipe \varnothing 150 mm (\varnothing 150 mm enclosed)
- Light Intensity: 200 lux
- Colour Temperature: 4000 K

**Serie | 8, downdraft hood, 90 cm, clear glass
black printed
DDA097G59B**



- * 650 mm depth only in combination with slim hobs.
 - ** min. 750 mm for hobs with 500 mm cut-out depth.
- measurements in mm



For flush installation
in stone and granite work surfaces

measurements in mm