

## IQ700, Fully automatic espresso machine, Stainless steel CT636LES1



- ✓ Less bitter tasting extra-strong coffee thanks to the aromaDouble Shot double grinding and brewing process.
- ✓ Fully automatic steam cleaning and optimal hygiene thanks to autoMilk Clean.
- ✓ Any drink at the touch of a button - prepare even two milk specialities at the same time with oneTouch DoubleCup.
- ✓ Perfect hygiene made easy thanks to removable brewing unit.

### Features

#### Technical Data

Built-in / Free-standing: ..... Built-in  
 Frothing nozzle: ..... No  
 Display: ..... No  
 Water protection system: ..... No  
 Portion sizes: ..... All cups  
 Dimensions: ..... 455 x 594 x 385 mm  
 Dimensions of the packed product (HxWxD): ... 540 x 478 x 670 mm  
 Min. required niche size for installation (HxWxD): .. 449 x 558 x 356 mm  
 EAN code: ..... 4242003645437  
 Fuse protection: ..... 10 A  
 Nominal power: ..... 220-240 V  
 Frequency: ..... 50/60 Hz  
 Plug type: ..... Gardy plug w/ earthing



### Optional accessories

TZ70003	1 x Brita Filter for EQ Coffee Machine
TZ80001A	Cleaning tablets
TZ80001B	10 x Cleaning Tablets for EQ Coffee Mach
TZ80002A	Descaling tablets
TZ80002B	3 x Descaling Tablets for EQ Coffee Mach
TZ80004A	Care set espresso
TZ80004B	Care Set for EQ Coffee Machines
TZ80009N	Insulated milk container

## IQ700, Fully automatic espresso machine, Stainless steel CT636LES1

### Features

#### Flavour

- "sensoFlow system" - Innovative heating system
- piston pressure: Ideal contact pressure for optimal aroma extraction
- One-touch function for Cappuccino, Espresso macchiato, Latte macchiato, Caffè Latte, personalised milk mix beverage
- aromaDouble Shot - Extra strong coffee without compromise in aroma
- Beverage temperature adjustable individually: Coffee: 3 levels, Hot water: 4 grades

#### Convenience

- TFT display with interactive menu
- 8 personalised beverages Save 8 favourite beverages with individual names and adjustable mixing ratio of milk and espresso
- 20-250 ml
- Cappuccino: Prepare two cups simultaneously for all coffee varieties
- Removable 2.4 litre water tank
- Early warning when bean container or water tank are close to empty

#### Performance

- "silent ceram drive" - Premium ceramic grinding unit
- coffeeSensor System: The grinding unit automatically adjusts to bean variety
- One-touch coffee milk specialities with especially fine-pored milk froth thanks to an innovative milk frother
- In addition to beverages also available separately: milk foam, warm milk, hot water
- Reduced heat up time: fastest first cup
- Water pump with 19 bar pressure
- Separate container for pre-ground coffee

#### Hygiene

- Removable brewing unit: Easy and hygienic cleaning under running water
- steam blast: Fully-automatic steam cleaning of the milk system after every beverage
- All milk nozzle parts are easily removable, separable, easy to clean and dishwasher proof
- Single portion cleaning: Complete emptying of all pipes after each brewing process
- Automatic quick rinse programme when switched on or off
- Removable drip tray including container for coffee grounds
- Fully automatic descaling & cleaning programme
- Display of remaining cups before descaling, Cleaning, Change of water filter
- Containers for water, milk and coffee beans are easily accessible but hidden behind a door, so the kitchen always looks clean
- Bean container with aroma preserving lid for up to 500grams
- Illumination for keys, yes, no
- Adjustable grind settings (multilevel)
- Different display languages available
- Child lock: prevents unintended use of machine

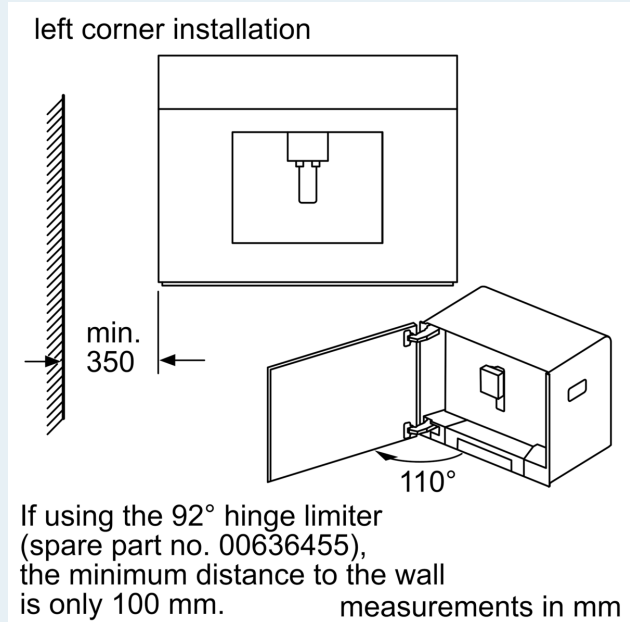
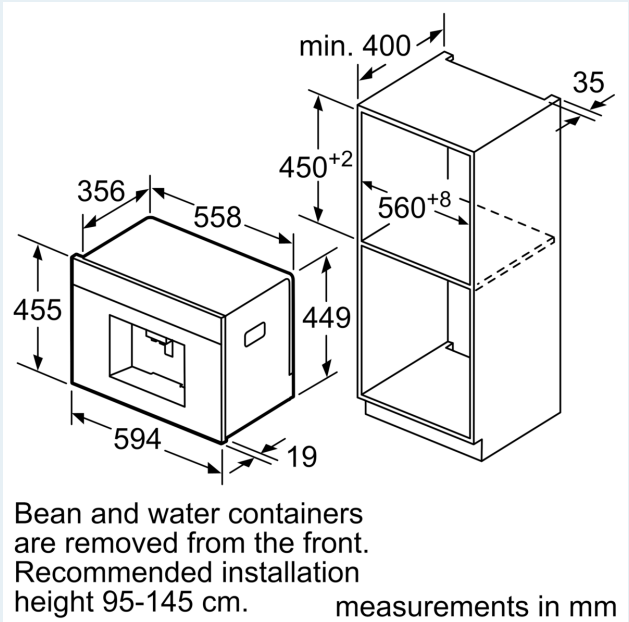
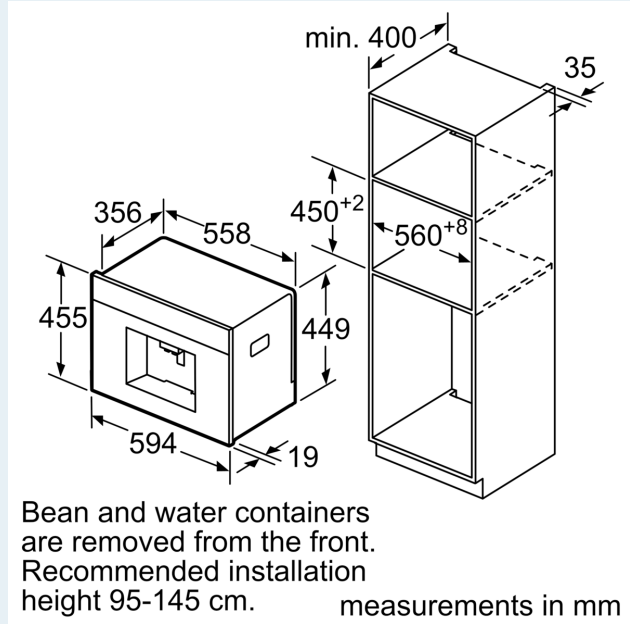
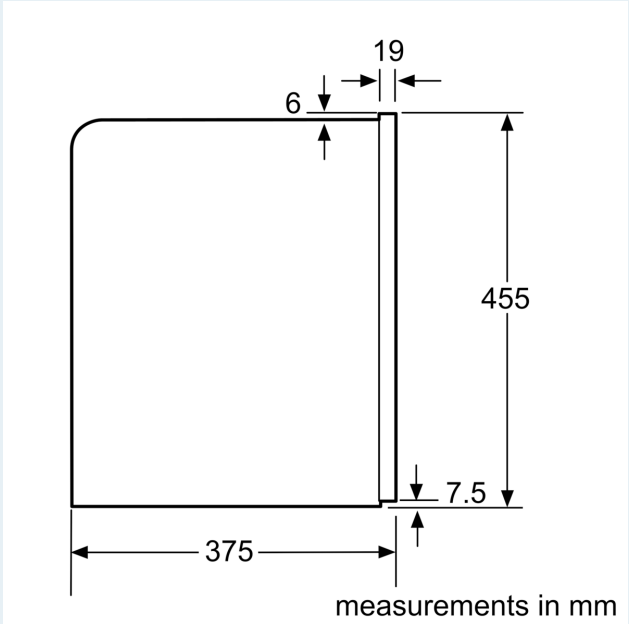
- Wattage: 1600 W

#### Accessories

- Separate milk container with thermally insulated aluminium housing (0.7 l volume)
- Included accessories: 9 x assembly screws, 1 x connection hose for milk frother, 1 x milk container (insulated), 1 x milk pipe, 1 x scoop, 1 x test strip
- Separately available accessories: cleaning tablets (TZ80001), descaling tablets (TZ80002), BRITA Intenza water filter (TZ70003), care set for fully-automatic espresso makers (TZ80004), insulated milk container (TZ80009N)

**IQ700, Fully automatic espresso machine, Stainless steel  
CT636LES1**

Dimensioned drawings



Dimensioned drawings

