

**Series 8, Combi-steam oven, 60 x 45 cm, Black  
CSG7584B1**



**Included accessories**

1 x grid, 1 x universal pan, 1 x steam container, size XL, punched, 1 x Steam container, unpunched, size M

**Optional accessories**

HEZ660060 Strip, HEZ664000 Baking and roasting grid (steam), HEZ66D52 2 steamcontainer(punched/unpunched)sizeM, HEZ915003 Glass roasting dish, 5,4 L, HEZG0AS00 Connecting cable 3m, HEZ32WA00 Wireless food thermometer, HEZ530000 Half tray, HEZ531010 Baking tray, non-stick ceramic coated, HEZ532010 Universal pan, non-stick ceramic coated, HEZ617000 Pizza pan, enamelled, HEZ629070 Air Fry & Grill tray, HEZ631070 Baking tray, enamelled, HEZ632070 Multipurpose pan, enamelled, HEZ636000 Glass pan, HEZ638D00 Full ext rails, level independent, steam, HEZ660050 Cover Strip

**The compact steam oven with Digital Control Ring and TFT-touchdisplay, assist function for meals PerfectBake Plus, PerfectRoast Plus, Home Connect for control via the App.**

- **Digital Control Ring:** simple and intuitive oven control.
- **TFT Touch Display Pro:** full control with the innovative Digital Control Ring and TFT touchscreen.
- **Perfect Steam:** bake or roast with extra steam for added crispness and moisture.
- **Steam Function Plus:** gentle, healthy food preparation at up to 120°C.
- **Steam Boost Function:** bake crispy bread with individual shots of steam.

**Technical Data**

Built-in / Free-standing: ..... Built-in  
 Door opening: ..... Drop down  
 Min. required niche size for installation (HxWxD): 450-455 x 560-568 x 550 mm  
 Dimensions: ..... 455 x 594 x 548 mm  
 Dimensions of the packed product (HxWxD): ..... 520 x 650 x 690 mm  
 Control Panel Material: ..... Glass  
 Door Material: ..... Glass  
 Net weight: ..... 36.9 kg  
 Length electrical supply cord: ..... 150.0 cm  
 EAN code: ..... 4242005326174  
 Fuse protection: ..... 16 A  
 Voltage: ..... 220-240 V  
 Frequency: ..... 50; 60 Hz  
 Plug type: ..... Gardy plug w/ earthing  
 Number of cavities (2010/30/EC): ..... 1  
 Usable volume (of cavity) - NEW (2010/30/EC): ..... 47 l  
 Energy efficiency rating: ..... A+  
 Energy consumption per cycle conventional (2010/30/EC): ..... 0.73 kWh/cycle  
 Energy consumption per cycle forced air convection (2010/30/EC): ..... 0.61 kWh/cycle  
 Energy efficiency index (2010/30/EC): ..... 81.3 %  
 Included accessories: ..... 1 x grid, 1 x universal pan, 1 x steam container, punched, size XL, 1 x Steam container, punched, size M, 1 x Steam container, unpunched, size M



## **Series 8, Combi-steam oven, 60 x 45 cm, Black CSG7584B1**

**The compact steam oven with Digital Control Ring and TFT-touchdisplay, assist function for meals PerfectBake Plus, PerfectRoast Plus, Home Connect for control via the App.**

### **Features**

- Compact steam oven with 23 heating methods: conventional top and bottom heat, full width variable grill, half width grill, bottom heat, intensive heat, low temperature cooking, plate warming, Dehydrate, keep warm, Conventional heat gentle, Steam cooking, reheating with steam, Dough proving, defrost, Hot air grilling, warming, 4D Hot air, Conventional heat
- Temperature range 30 °C - 250 °C
- 120 °C
- Cavity volume: 47 litre capacity

### **Level independent telescopic rails**

- 3 shelf positions
- Available as an additional accessory

### **Design**

- Touch controls
- Digital Control Ring
- Cavity inner surface: enamel anthracite

### **Cleaning**

- side: coating of ceiling, back panel, side liners
- hydrolyse program, EcoClean Direct programme
- Full glass inner door

### **Programmes/functions**

- Oven Assistant with Voice Control
- BE63
- Electronic clock timer
- Digital temperature display with proposal
- Actual temperature display Heating-up indicator meat probe
- Drop down door, SoftClose, SoftOpen
- BoschAssist
- yes
- Fast pre-heating function
- steam boost - add for 3min intensive steam with a touch of a button.
- There are different steam intensities selectable: steam level high, steam level middle, steam level low
- LED light, Light on/off when oven door opened/closed
- Water tank empty indicator
- Location of water tank: Outside cavity
- Integral cooling fan
- Home Connect ready

### **Accessories**

- 1 x Steam container, punched, size M, 1 x steam container, punched, size XL, 1 x Steam container, unpunched, size M, 1 x grid, 1 x universal pan

### **Features**

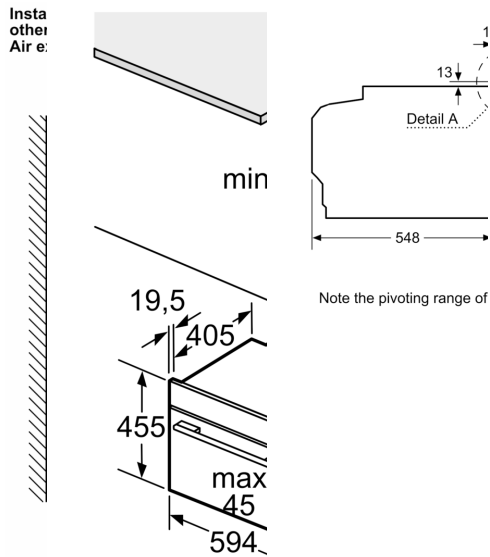
- Maximum window temperature 40° C
- Triple glazed door glazed CoolTouch door
- Control panel lock
- Automatic safety switch off Residual heat indicator Start button Door contact switch



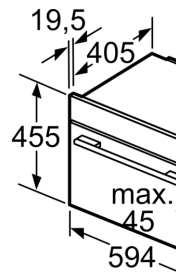
**Technical information**

- 150 cm Cable Cable length
- Nominal voltage: 220 - 240 V
- Total connected load electric: 3.3 KW

**Series 8, Combi-steam oven, 60 x 45 cm, Black  
CSG7584B1**



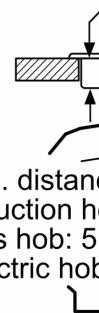
A: Air



Space for ap  
connection

Installation w

If the compac  
underneath a  
thicknesses (n  
necessary) m



Min. distanc  
Induction hob  
Gas hob: 5  
Electric hob

**Hob type**

- Induction hob
- Full surface Induction hob
- Gas hob
- Electric hob