

**IQ700, Combi-steam oven, 60 x 45 cm, Black CS958GDD1**



Shorten your cooking time thanks to fast preheat and coolStart. And remote your oven from anywhere with Home Connect.

- ✓ TFT-Touchdisplay Pro – Large colour touch display for comfortable operation.
- ✓ cookControl Pro – Excellent results, whatever the recipe or circumstances.
- ✓ Oven Assistant with Voice Control – Intuitively set the right programme.
- ✓ Far less oven cleaning – ecoClean Plus.
- ✓ humidClean Plus - For fast cleaning dirt is softened beforehand by vaporizing soapy water. It can then be removed more easily.

**Features**

<b>Technical Data</b>	
Built-in / Free-standing: .....	Built-in
Door opening: .....	Drop down
Min. required niche size for installation (HxWxD): .....	450-455 x 560-568 x 550 mm
Dimensions: .....	455 x 594 x 548 mm
Dimensions of the packed product (HxWxD): ...	540 x 650 x 690 mm
Control Panel Material: .....	Glass
Door Material: .....	Glass
Weight: .....	36.2 kg
Length electrical supply cord: .....	150.0 cm
EAN code: .....	4242003901526
Fuse protection: .....	16 A
Nominal power: .....	220-240 V
Frequency: .....	50; 60 Hz
Plug type: .....	Gardy plug w/ earthing
Number of cavities (2010/30/EC): .....	1
Usable volume (of cavity) - NEW (2010/30/EC): .....	47 l
Energy efficiency rating: .....	A+
Energy consumption per cycle conventional (2010/30/EC): .....	0.73 kWh/cycle
Energy consumption per cycle forced air convection (2010/30/EC): .....	0.61 kWh/cycle
Energy efficiency index (2010/30/EC): .....	81.3 %
Included accessories: 1 x enamel baking tray, 1 x grid, 1 x universal pan, 1 x steam container, punched, size XL, 1 x sponge, 1 x Steam container, punched, size M, 1 x Steam container, unpunched, size M	



**Included accessories**

- 1 x enamel baking tray
- 1 x grid
- 1 x universal pan
- 1 x steam container size XL
- 1 x sponge punched
- 1 x Steam container unpunched size M

**Optional accessories**

- HZ638D00 Full ext rails, level independent, steam, HZ664000 Baking and roasting grid (steam), HZ66X650 Cover Strip, HZ6BMA00 Assembly kit for vertical installation, HZ66D52 2 steamcontainer(punched/unpunched)sizeM, HZ66X600 Decor list, HZ532010 Universal pan, non-stick ceramic coated, HZ617000 Pizza pan, enamelled, HZ629070 Air Fry & Grill tray, HZ631070 Baking tray, enamelled, HZ632070 Multipurpose pan, enamelled, HZ32WA00 Wireless food thermometer, HZ530000 2 multipurpose pans, slim size, HZ531010 Baking tray, non-stick ceramic coated, HZ915003 Glass roasting dish, 5,4 L, HZG0AS00 Connecting cable 3m, SZ72010 inlet and outlet hose extension 2 m

## IQ700, Combi-steam oven, 60 x 45 cm, Black CS958GDD1

### Features

#### Features

- Compact steam oven with 24 heating methods: conventional, full width grill, half width grill, coolStart, bottom heat, intensive conventional heat, low temperature cooking, keep warm, dehydrate, plate warming, Conventional heat gentle, steam, reheating with steam, Dough proving, defrost, sous-vide cooking, Hot air grilling, warming, 4D Hot air, Conventional heat
- Temperature range 30 °C - 250 °C
- 120 °C
- Cavity volume: 47 litre capacity

#### Level independent telescopic rails

- 3 shelf positions
- 1 varioClip rail, full extension, Stop function

#### Design

- studioLine Black Steel Design
- Touch control
- studioLine Glass handle
- Cavity inner surface: enamel anthracite

#### Cleaning

- side: coating of ceiling, back panel, side liners
- hydrolyse program, ecoClean programme
- Full glass inner door

#### Programmes/functions

- Oven Assistant with Voice Control
- Electronic oven clock timer
- Automatic temperature proposal
- Actual temperature display Heating-up indicator meat probe
- Drop down oven door, softClose, softOpen
- cookControl Plus
- Fast pre-heat
- coolStart
- steam boost - add for 3min intensive steam with a touch of a button.
- There are different steam intensities selectable: steam level high, steam level middle, steam level low
- LED light, Light on/off when door opened/closed
- Water inlet system: Fixed connection
- Location of water tank: Outside cavity
- Integral cooling fan
- WLAN - Home connect enabled

#### Accessories

- 1 x enamel baking tray, 1 x Steam container, punched, size M, 1 x steam container, punched, size XL, 1 x Steam container, unpunched, size M, 1 x grid, 1 x sponge, 1 x universal pan

#### Features

- Heat reflective glass
- Control panel lock
- Automatic safety switch off Residual heat indicator Start button Door

contact switch

#### Technical information

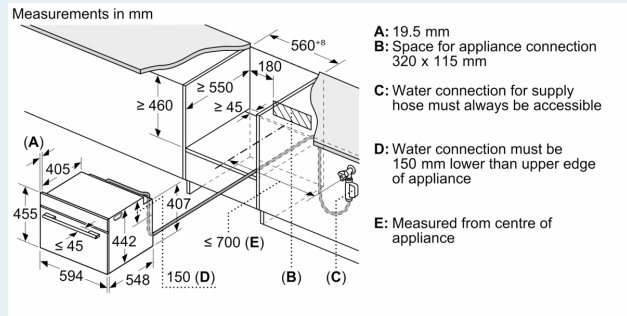
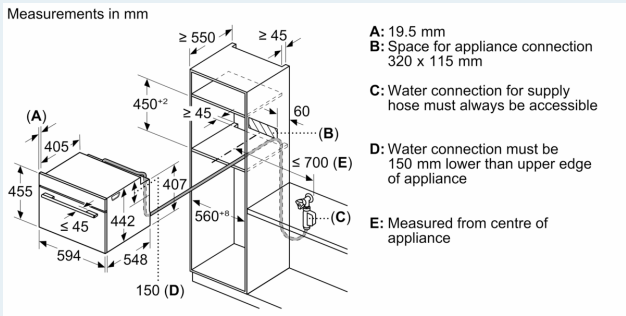
- 150 cm Cable Cable length
- Usable length of water hose outside the appliance: 700mm
- Nominal voltage: 220 - 240 V
- Total connected load electric: 3.3 KW
- Energy efficiency rating (acc. EU Nr. 65/2014): A+
- Energy consumption per cycle in conventional mode:0.73 kWh
- Energy consumption per cycle in fan-forced convection mode:0.61 kWh
- Number of cavities: Main cavity Heat source: electrical Cavity volume:47 litre capacity

#### Performance/technical information

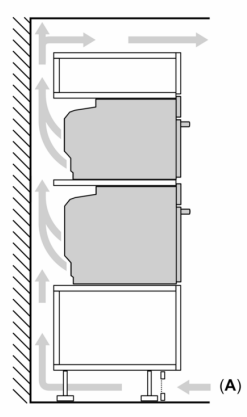
- Appliance dimension (hxwxh): 455 mm x 594 mm x 548 mm
- Niche dimension (hxwxh): 450 mm - 455 mm x 560 mm - 568 mm x 550 mm
- Please refer to the dimensions provided in the installation manual

**IQ700, Combi-steam oven, 60 x 45 cm, Black  
CS958GDD1**

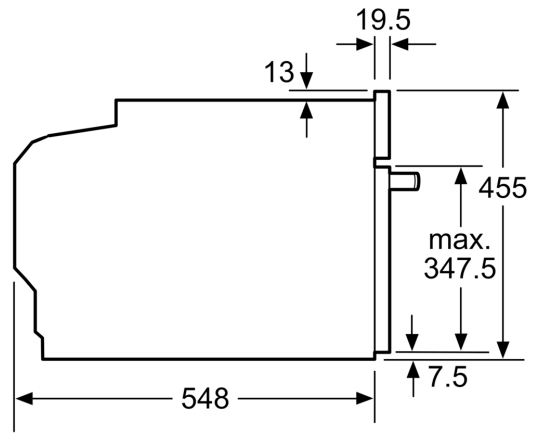
**Dimensioned drawings**



**Installing two appliances on top of each other  
Air exchange**



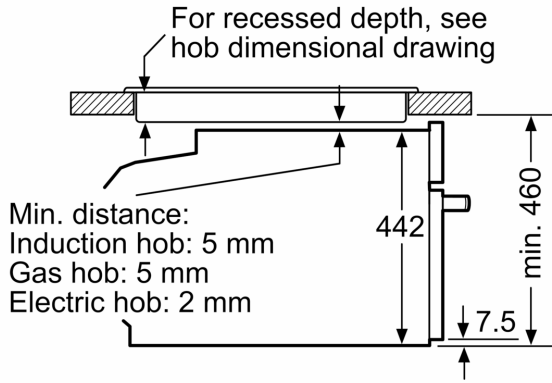
A: Air inlet  $\geq 200 \text{ cm}^2$



measurements in mm

Dimensioned drawings

Installation with a hob.



measurements in mm

If the compact appliance will be installed underneath a hob, the following worktop thicknesses (including substructure if necessary) must be taken into account.

Hob type	min. worktop thickness	
	fitted	flush
Induction hob	42 mm	43 mm
Full surface Induction hob	52 mm	53 mm
Gas hob	32 mm	43 mm
Electric hob	32 mm	35 mm