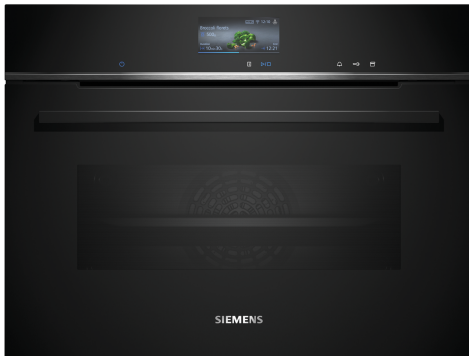


## IQ700, Combi-steam oven, 60 x 45 cm, Black CS736G1B1



A+



### Included accessories

1 x grid, 1 x universal pan, 1 x steam container, size XL, punched, 1 x Steam container, unpunched, size M

### Optional accessories

HZ32WA00 Wireless food thermometer, HZ530000 2 multipurpose pans, slim size, HZ531010 Baking tray, non-stick ceramic coated, HZ532010 Universal pan, non-stick ceramic coated, HZ617000 Pizza pan, enamelled, HZ629070 Air Fry & Grill tray, HZ631070 Baking tray, enamelled, HZ632070 Multipurpose pan, enamelled, HZ636000 Glass pan, HZ638D00 Full ext rails, level independent, steam, HZ664000 Baking and roasting grid (steam), HZ66D52 2 steamcontainer(punched/unpunched)sizeM, HZ66X600 Decor list, HZ66X650 Cover Strip, HZ915003 Glass roasting dish, 5,4 L, HZG0AS00 Connecting cable 3m

Shorten your cooking time thanks to fast preheat and coolStart. And remote your oven from anywhere with Home Connect.

- ✓ TFT-Touchdisplay Plus – Smooth-touch navigation for simple and intuitive operation.
- ✓ Oven Assistant with Voice Control – Intuitively set the right programme.
- ✓ ecoClean: Cut down on oven cleaning
- ✓ humidClean Plus - For fast cleaning dirt is softened beforehand by vaporizing soapy water. It can then be removed more easily.
- ✓ fullSteam Plus – Fast and healthy steam-cooking.

### Features

#### Technical Data

Built-in / Free-standing: ..... Built-in  
 Door opening: ..... Drop down  
 Min. required niche size for installation (HxWxD): ..... 450-455 x 560-568 x 550 mm  
 Dimensions: .....455 x 594 x 548 mm  
 Dimensions of the packed product (HxWxD): ... 520 x 650 x 700 mm  
 Control Panel Material: .....Glass  
 Door Material: .....Glass  
 Weight: ..... 34.9 kg  
 Length electrical supply cord: ..... 150.0 cm  
 EAN code: .....4242003901441  
 Fuse protection: .....16 A  
 Nominal power: ..... 220-240 V  
 Frequency: .....50; 60 Hz  
 Plug type: ..... Gardy plug w/ earthing  
 Number of cavities (2010/30/EC): .....1  
 Usable volume (of cavity) - NEW (2010/30/EC): ..... 47 l  
 Energy efficiency rating: ..... A+  
 Energy consumption per cycle conventional (2010/30/EC): ..... 0.73 kWh/cycle  
 Energy consumption per cycle forced air convection (2010/30/EC): 0.61 kWh/cycle  
 Energy efficiency index (2010/30/EC): ..... 81.3 %  
 Included accessories: ..... 1 x grid, 1 x universal pan, 1 x steam container, punched, size XL, 1 x Steam container, punched, size M, 1 x Steam container, unpunched, size M



## IQ700, Combi-steam oven, 60 x 45 cm, Black CS736G1B1

### Features

#### Features

- Compact steam oven with 21 heating methods: conventional, full width grill, half width grill, coolStart, bottom heat, low temperature cooking, keep warm, plate warming, Conventional heat gentle, steam, reheating with steam, Dough proving, defrost, Hot air grilling, warming, 4D Hot air, Conventional heat
- Temperature range 30 °C - 250 °C
- 120 °C
- Cavity volume: 47 litre capacity

#### Level independent telescopic rails

- 3 shelf positions
- Cavity with shelf support rails

#### Design

- Touch control
- Cavity inner surface: enamel anthracite

#### Cleaning

- EcoCleanDirect : back panel
- hydrolyse program
- Full glass inner door

#### Programmes/functions

- Oven Assistant with Voice Control
- SE62
- Electronic oven clock timer
- Automatic temperature proposal
- Actual temperature display Heating-up indicator
- Drop down oven door, softClose, softOpen
- cookControl Plus
- Fast pre-heat
- coolStart
- steam boost - add for 3min intensive steam with a touch of a button.
- There are different steam intensities selectable: steam level high, steam level middle, steam level low
- LED light, Light on/off when door opened/closed
- Tank empty indicator
- Location of water tank: Outside cavity
- Integral cooling fan
- WLAN - Home connect enabled

#### Accessories

- 1 x Steam container, punched, size M, 1 x Steam container, unpunched, size M, 1 x grid, 1 x steam container, punched, size XL, 1 x universal pan

#### Features

- Heat reflective glass
- Control panel lock
- Automatic safety switch off Residual heat indicator Start button Door contact switch

#### Technical information

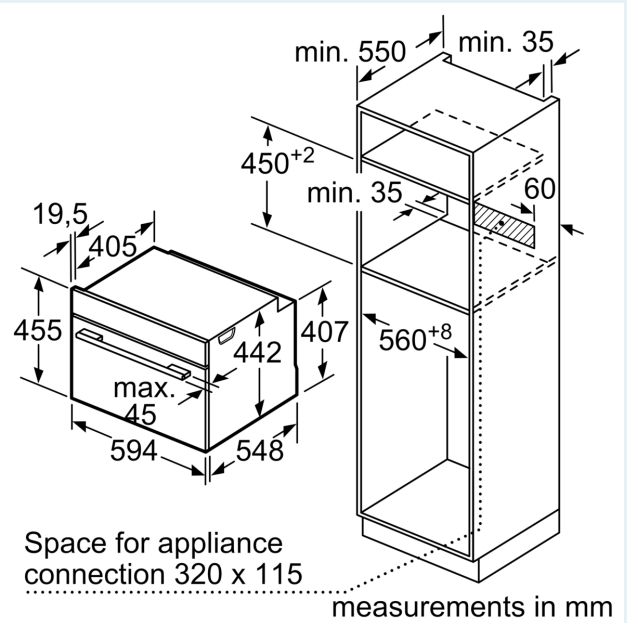
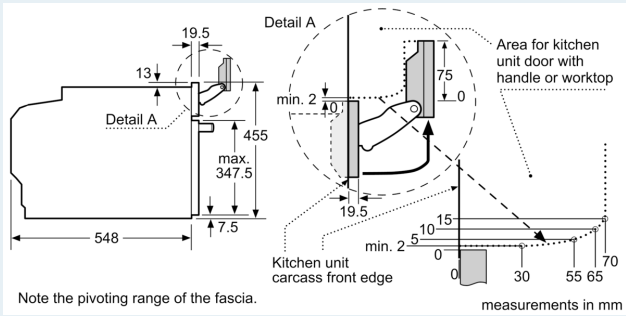
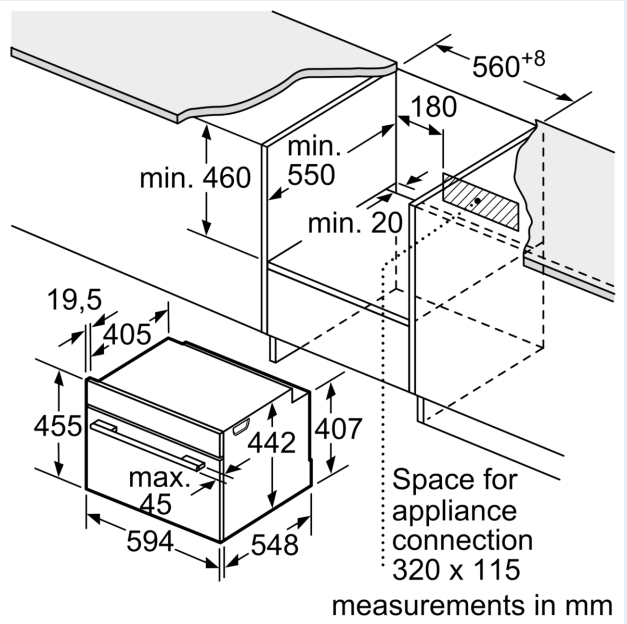
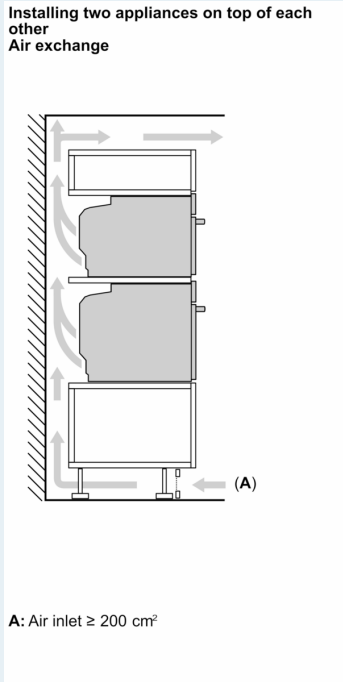
- 150 cm Cable length
- Nominal voltage: 220 - 240 V
- Total connected load electric: 3.3 KW
- Energy efficiency rating (acc. EU Nr. 65/2014): A+
- Energy consumption per cycle in conventional mode:0.73 kWh
- Energy consumption per cycle in fan-forced convection mode:0.61 kWh
- Number of cavities: Main cavity Heat source: electrical Cavity volume:47 litre capacity

#### Performance/technical information

- Appliance dimension (hxwx): 455 mm x 594 mm x 548 mm
- Niche dimension (hxwx): 450 mm - 455 mm x 560 mm - 568 mm x 550 mm
- Please refer to the dimensions provided in the installation manual

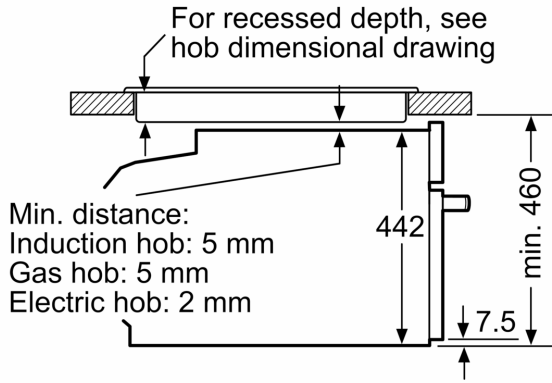
**IQ700, Combi-steam oven, 60 x 45 cm, Black  
CS736G1B1**

Dimensioned drawings



Dimensioned drawings

Installation with a hob.



measurements in mm

If the compact appliance will be installed underneath a hob, the following worktop thicknesses (including substructure if necessary) must be taken into account.

Hob type	min. worktop thickness	
	fitted	flush
Induction hob	42 mm	43 mm
Full surface Induction hob	52 mm	53 mm
Gas hob	32 mm	43 mm
Electric hob	32 mm	35 mm