

iQ700, Built-in compact oven with steam function, Stainless steel CS658GRS1B



The compact oven with fullSteam function and sensors for optimum results.

- ✓ pulseSteam: for crispy crusts and juicy roasts.
- ✓ TFT Touchdisplay Plus: clear text display and intuitive operation.
- ✓ roastingSensor and bakingSensor: detect the exact moment when your food is done.
- ✓ ecoClean Plus: effortless cleaning thanks to a special coating.
- ✓ Energy efficiency class A+: For more efficient roasting and baking.

Features

Technical Data

Color / Material Front : Stainless steel
 Built-in / Free-standing : Built-in
 Door opening : Drop down
 Required niche size for installation (HxWxD) : 450-455 x 560-568 x 550
 Dimensions of the product (mm) : 455 x 594 x 548
 Dimensions of the packed product (HxWxD) (mm) : 530 x 660 x 690
 Control Panel Material : Stainless steel
 Door Material : Glass
 Net weight (kg) : 36.033
 Approval certificates : CE, VDE
 Length electrical supply cord (cm) : 150
 EAN code : 4242003671467
 Current (A) : 16
 Voltage (V) : 220-240
 Frequency (Hz) : 60; 50
 Plug type : no plug
 Approval certificates : CE, VDE
 Number of cavities (2010/30/EC) : 1
 Usable volume (of cavity) - NEW (2010/30/EC) : 47
 Energy efficiency class (2010/30/EC) : A+
 Energy consumption per cycle conventional (2010/30/EC) : 0.73
 Energy consumption per cycle forced air convection (2010/30/EC) : 0.61
 Energy efficiency index (2010/30/EC) : 81.3

Included accessories

1 x steam container, punched, size S, 1 x steam container, punched, size XL,
 1 x steam container, unpunched, size S, 1 x grid, 1 x universal pan

Optional accessories

HZ915003 Glass roasting dish, 5,4 L
 HZ6HCC0 Cookbook
 HZ66X600 Decor list
 HZ664000 Baking and roasting grid (steam)
 HZ636000 Glass pan
 HZ631070 Baking tray, anthracite enamelled
 HZ631010 Baking tray, non-stick coated
 HZ625071 Grill tray, anthracite enamelled
 HZ36D533P porcelain tray-GN2/3- unpunched
 HZ36D513P porcelain tray-GN1/3- unpunched



iQ700, Built-in compact oven with steam function, Stainless steel CS658GRS1B

Features

Design

-
-
- Bar handle
- Cavity inner surface: Enamel anthracite
- Full colour display

Key Information

- 5.7" TFT touchDisplay Plus
- TFT clearText display
- Automatic temperature proposal
- Actual temperature display
- Heating-up indicator
- Sabbath setting
- EcoCleanDirect : back panel, ceiling, side liners
- roastingSensor Plus
- bakingSensor
- Control panel lock
- Automatic safety switch off
- Residual heat indicator
- Start button
- Door contact switch

Features

- Electronic oven clock timer
- LED light
- Tank empty indicator
- Heat reflective glass
- Full glass inner door
- 3 shelf positions
- Smooth enamelled oven interior
- Stainless-steel fan
- Integral cooling fan

Programmes/functions

- Compact steam oven with 15 heating methods: 4D hot air, hotairEco,, conventional, Conventional heat ECO, hot air grilling, full width grill, half width grill, Pizza Setting, coolStart, bottom heat, intensive conventional heat, low temperature cooking, keep warm, dehydrate, plate warming
- Additional heating methods with steam: steam, reheating, Dough proving, defrost
- Additional functions:
- Descaling programme
- Drying function
- autom. boiling point detection
- Fast pre-heating function
- ecoClean® setting
- cookControl Plus
- Info button

Technical information

- Cavity volume: 47 litre capacity
- 1 l Water tank capacity:
- Location of the steam generator is outside of the cavity
- NO_FEATURE (0.73 kwh) than the standard value (0.79 kwh) for qualifying for energy class A
- Temperature range 30 °C - 250 °C
- Length of mains cable: 150 cm

- Total connected load electric: 3.3 KW
- Appliance dimension (hxwxh): 455 mm x 594 mm x 548 mm
- Niche dimension (hxwxh): 450 mm - 455 mm x 560 mm - 568 mm x 550 mm
- Energy efficiency rating (acc. EU Nr. 65/2014):
- Energy consumption per cycle in conventional mode: 81.3
- Energy consumption per cycle in fan-forced convection mode: 0.61 kwh
- Number of cavities: 1
- Cavity volume: 47 litre capacity
- Please refer to the dimensions provided in the installation manual

Standard accessories

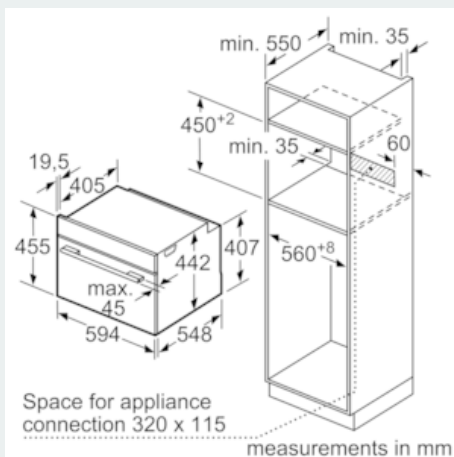
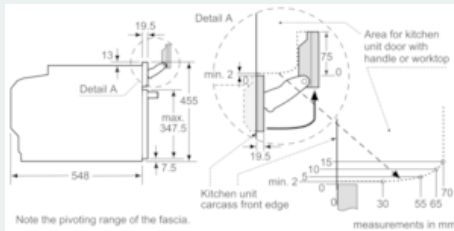
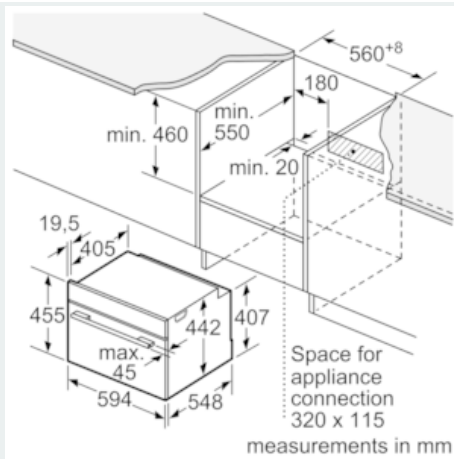
- 1 level telescopic shelf, full extension, Detend function

Accessories

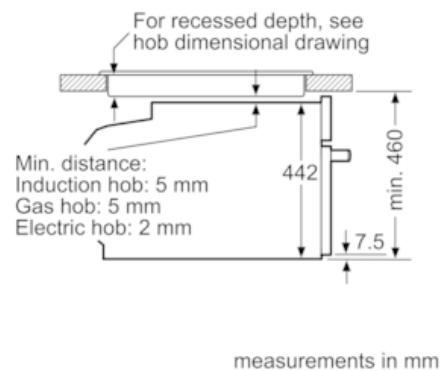
- 1 x steam container, punched, size S, 1 x steam container, punched, size XL, 1 x steam container, unpunched, size S, 1 x grid, 1 x universal pan

iQ700, Built-in compact oven with steam function, Stainless steel CS658GRS1B

Dimensioned drawings



Installation with a hob.



If the compact appliance will be installed underneath a hob, the following worktop thicknesses (including substructure if necessary) must be taken into account.

Hob type	min. worktop thickness	
	fitted	flush
Induction hob	42 mm	43 mm
Full surface Induction hob	52 mm	53 mm
Gas hob	32 mm	43 mm
Electric hob	32 mm	35 mm