

IQ700, Combi-steam oven, 60 x 45 cm, Stainless steel CS656GBS7B



A+



Included accessories

1 x grid, 1 x universal pan, punched, size XL, 1 x steam container, unpunched, size S

Optional accessories

HZ625071 Grill tray, enamelled, HZ631070 Baking tray, enamelled, HZ632070 Multipurpose pan, enamelled, HZ636000 Glass pan, HZ638D18 1 telescopic rail, full ext, 45cm, steam, HZ664000 Baking and roasting grid (steam), HZ66X600 Decor list, HZ66X650 Cover Strip, HZ915003 Glass roasting dish, 5,4 L, HZ531010 Baking tray, non-stick ceramic coated, HZ532010 Universal pan, non-stick ceramic coated, HZ617000 Pizza pan, enamelled, HZ36D613 Steam container, unpunched, size S, HZ36D613G Steam container, punched, size S

Shorten your cooking time thanks to fast preheat and coolStart. And remote your oven from anywhere with Home Connect.

- ✓ Far less oven cleaning – ecoClean Plus.
- ✓ The full steam function: making it simple to cook healthy and delicious meals
- ✓ Home Connect – Experience the intelligent kitchen via app.
- ✓ User-friendly menu navigation with good display features - TFT-Touchdisplay.
- ✓ cookControl Plus – Build success into your baking.

Features

Technical Data

Built-in / Free-standing: Built-in
 Door opening: Drop down
 Min. required niche size for installation (HxWxD): 450-455 x 560-568 x 550 mm
 Dimensions: 455 x 594 x 548 mm
 Dimensions of the packed product (HxWxD): ... 530 x 660 x 690 mm
 Control Panel Material: Stainless steel
 Door Material: Glass
 Weight: 34.0 kg
 Length electrical supply cord: 150.0 cm
 EAN code: 4242003839294
 Fuse protection: 16 A
 Nominal power: 220-240 V
 Frequency: 50; 60 Hz
 Plug type: no plug (electrical connection by electrician)
 Number of cavities (2010/30/EC): 1
 Usable volume (of cavity) - NEW (2010/30/EC): 47 l
 Energy efficiency rating: A+
 Energy consumption per cycle conventional (2010/30/EC): 0.73 kWh/cycle
 Energy consumption per cycle forced air convection (2010/30/EC): 0.61 kWh/cycle
 Energy efficiency index (2010/30/EC): 81.3 %
 Included accessories: 1 x grid, 1 x universal pan, 1 x steam container, punched, size S, 1 x steam container, punched, size XL, 1 x steam container, unpunched, size S



IQ700, Combi-steam oven, 60 x 45 cm, Stainless steel CS656GBS7B

Features

Design

- 3.7" TFT touchDisplay
- Drop down oven door, softClose, softOpen
- Cavity inner surface: enamel anthracite
- Stainless steel control dial
- We recommend you to choose complementary products within IQ700, in order to assure an optimal design combination of your Built-In appliances.
- Control panel lock
- Automatic safety switch off Residual heat indicator Start button Door contact switch
- Automatic temperature proposal
- Actual temperature display Heating-up indicator
- WLAN - Home connect enabled
- cookControl Plus
- Electronic oven clock timer
- LED light, Light on/off when door opened/closed
- Tank empty indicator
- Integral cooling fan
- 3 shelf positions

Cleaning

- EcoCleanDirect : ceiling, back panel, side liners
- ecoClean programme
- Full glass inner door

Programmes/functions

- Compact steam oven with 13 main functions heating methods: 4D hot air, hotairGentle, conventional, Conventional heat Gentle, hot air grilling, full width grill, half width grill, Pizza Setting, coolStart, bottom heat, low temperature cooking, keep warm, plate warming
- Additional functions:
- Descaling programme
- Drying function autom. boiling point detection
- Fast pre-heat

Accessories

- 1 x steam container, punched, size S, 1 x steam container, punched, size XL, 1 x steam container, unpunched, size S, 1 x grid, 1 x universal pan

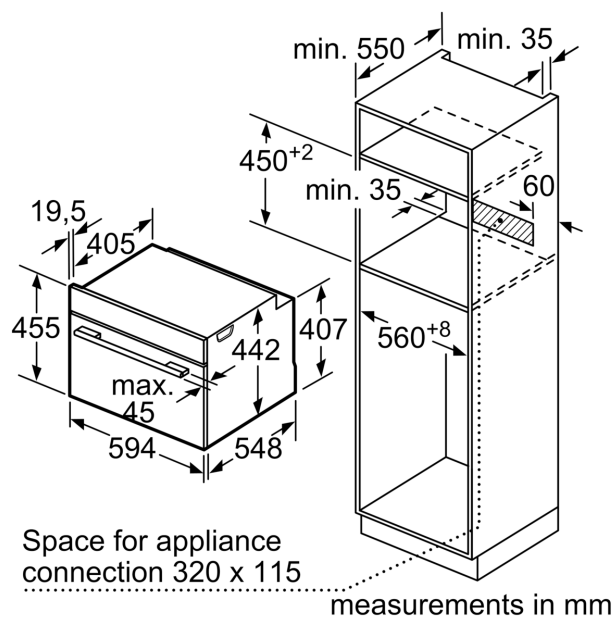
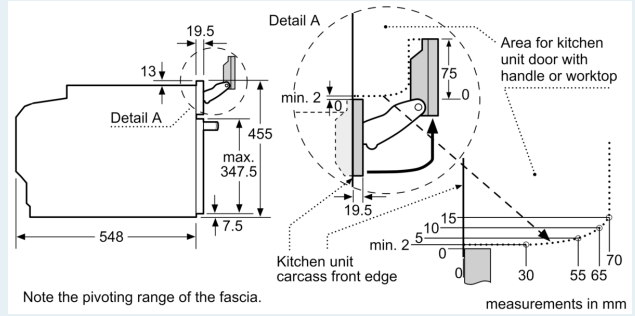
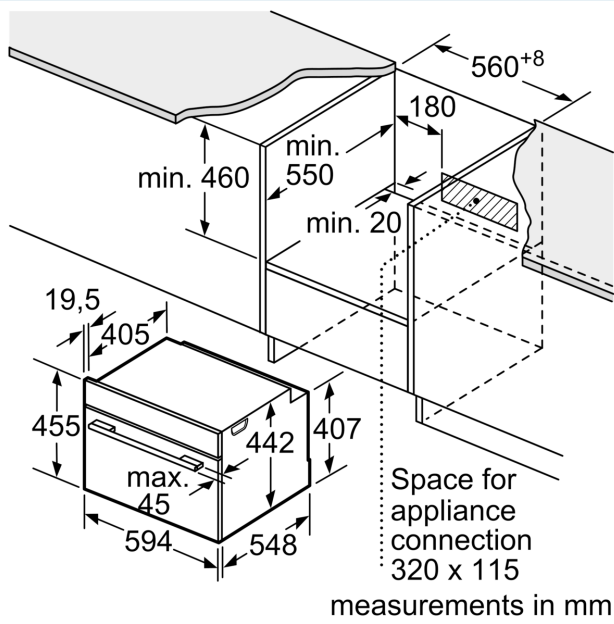
Performance/technical information

- Energy efficiency rating (acc. EU Nr. 65/2014): A+
- Energy consumption per cycle in conventional mode:0.73 kWh
- Energy consumption per cycle in fan-forced convection mode:0.61 kWh
- Number of cavities: Main cavity Heat source: electrical Cavity volume:47 litre capacity
- Temperature range 30 °C - 250 °C
- Location of water tank: Outside cavity
- 1 l Water tank capacity:
- 150 cm Cable Cable length

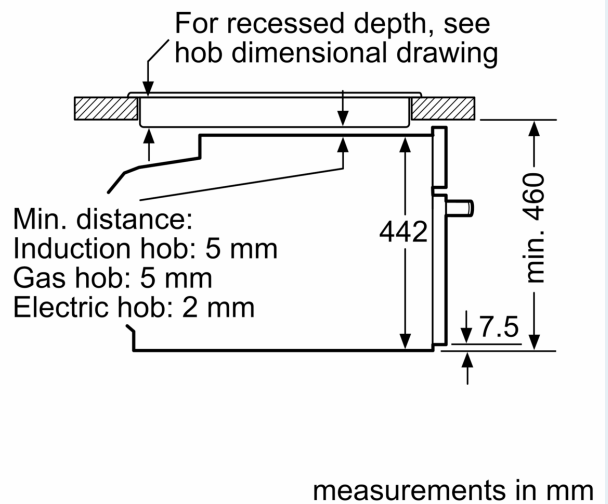
- Nominal voltage: 220 - 240 V
- Appliance dimension (hxwx): 455 mm x 594 mm x 548 mm
- Please refer to the dimensions provided in the installation manual

**IQ700, Combi-steam oven, 60 x 45 cm, Stainless steel
CS656GBS7B**

Dimensioned drawings



Installation with a hob.



Dimensioned drawings

If the compact appliance will be installed underneath a hob, the following worktop thicknesses (including substructure if necessary) must be taken into account.

Hob type	min. worktop thickness	
	fitted	flush
Induction hob	42 mm	43 mm
Full surface Induction hob	52 mm	53 mm
Gas hob	32 mm	43 mm
Electric hob	32 mm	35 mm