

IQ700, Built-in compact oven with added steam and microwave function, 60 x 45 cm, Black CN878G4B6B



Included accessories

2 x combination grid, 1 x universal pan

Optional accessories

HZ327000 Baking stone, HZ531010 Baking tray, non-stick ceramic coated, HZ532010 Universal pan, non-stick ceramic coated, HZ617000 Pizza pan, enamelled, HZ625071 Grill tray, enamelled, HZ631070 Baking tray, enamelled, HZ632070 Multipurpose pan, enamelled, HZ634080 Baking and roasting grid (microwave), HZ636000 Glass pan, HZ664000 Baking and roasting grid (steam), HZ66X600 Decor list, HZ66X650 Cover Strip, HZ6BMA00 Assembly kit for vertical installation, HZ915003 Glass roasting dish, 5,4 L

Shorten your cooking time thanks to varioSpeed, fast preheat and activeClean. And remote your oven from anywhere with Home Connect.

- ✓ varioSpeed – Prepare excellent dishes up to 50% faster.
- ✓ fastPreheat – Heat the oven quickly. coolStart – Eliminate preheating for frozen foods.
- ✓ activeClean® – The automatic, self-cleaning oven system.
- ✓ pulseSteam: for crispy crusts and juicy roasts.
- ✓ Home Connect – Experience the intelligent kitchen via app.

Features

Technical Data

Additional functions: Microwave combination oven
 Type of control: Electronic
 Dimensions: 455 x 594 x 548 mm
 Cavity dimensions: 237.0 x 480 x 392.0 mm
 Length electrical supply cord: 150.0 cm
 Weight: 40.6 kg
 Gross weight: 43.7 kg
 EAN code: 4242003789841
 Maximum micro-wave power: 900 W
 Connection Rating: 3600 W
 Fuse protection: 16 A
 Nominal power: 220-240 V
 Frequency: 50; 60 Hz
 Plug type: no plug (electrical connection by electrician)
 Included accessories: 2 x combination grid, 1 x universal pan



IQ700, Built-in compact oven with added steam and microwave function, 60 x 45 cm, Black CN878G4B6B

Features

Design

- 5.7" TFT touchDisplay Plus
- Drop down oven door, softClose, softOpen
- Cavity inner surface: enamel anthracite
- Electronic oven clock timer
- studioLine Black Steel Design
- 3 shelf positions
- Stainless steel control dial
- We recommend you to choose complementary products within IQ700, in order to assure an optimal design combination of your Built-In appliances.

Features

- Intelligent microwave inverter technology: For optimised results maximum output power will be regulated to 600 W when used in longer operation for gentler cooking.
- WLAN - Home connect enabled
- Automatic temperature proposal
- Actual temperature display Heating-up indicator meat probe
- Electronic door lock
- Control panel lock Automatic safety switch off Residual heat indicator Start button Door contact switch
- cookControl Plus
- bakingSensor
- roastingSensor Plus
- LED light, Light on/off when door opened/closed
- Tank empty indicator
- Integral cooling fan

Cleaning

- activeClean

Programmes/functions

- Compact oven with microwave with 15 PC heating methods: 4D hot air, hotairGentle, conventional, Conventional heat Gentle, hot air grilling, full width grill, half width grill, Pizza Setting, coolStart, bottom heat, intensive conventional heat, low temperature cooking, keep warm, dehydrate, plate warming
- Additional heating methods with steam: reheating with steam, Dough proving
- Additional heating methods with microwave: Microwave, Combi microwave variable, Dough proving, reheating with steam
- Max. Power: 900 W; 5 Microwave power settings (90 W,180 W,360 W,600 W,900 W)
- Fast pre-heat

Accessories

- 2 x combination grid, 1 x universal pan
- 1 level telescopic shelf, pyrolitic proof

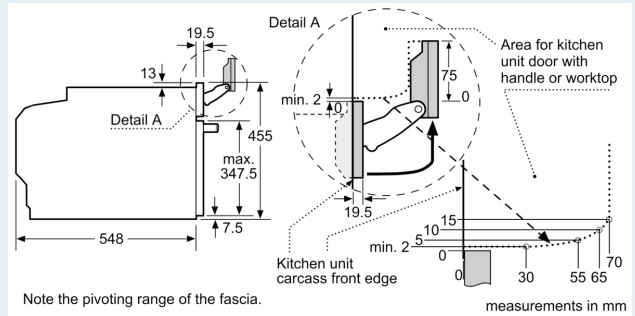
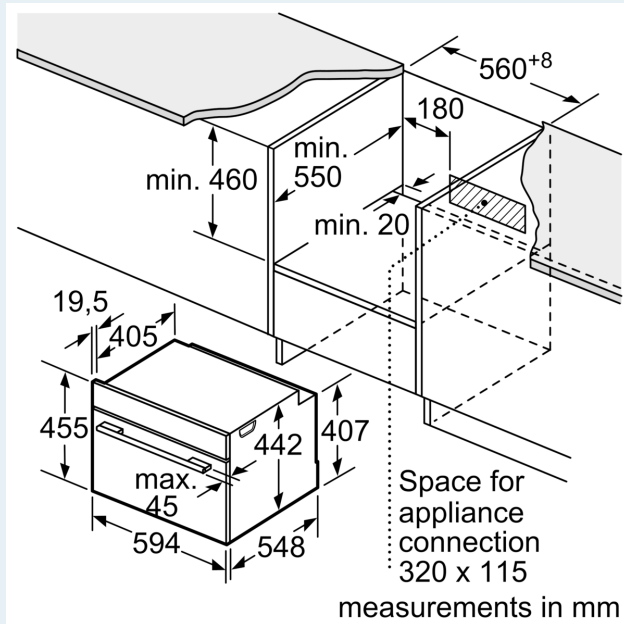
Performance/technical information

- Cavity volume: 45 litres

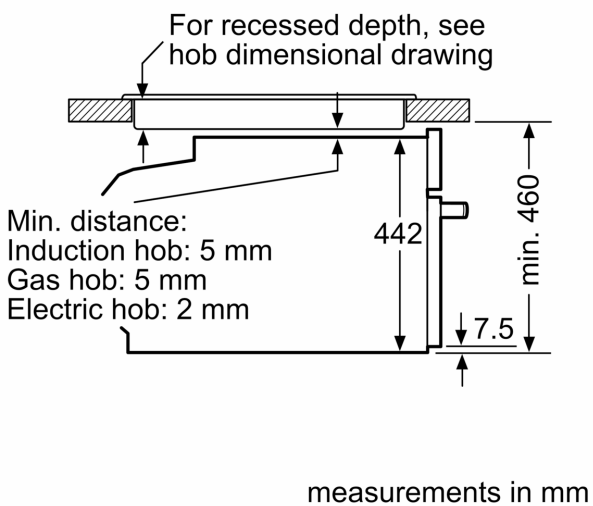
- 1 l Water tank capacity:
- Location of water tank: Outside cavity
- Temperature range 30 °C - 275 °C
- 150 cm Cable length
- Total connected load electric: 3.6 KW
- Nominal voltage: 220 - 240 V
- Appliance dimension (hxwxd): 455 mm x 594 mm x 548 mm
- Niche dimension (hxwxd): 450 mm - 455 mm x 560 mm - 568 mm x 550 mm
- Please refer to the dimensions provided in the installation manual

IQ700, Built-in compact oven with added steam and microwave function, 60 x 45 cm, Black CN878G4B6B

Dimensioned drawings



Installation with a hob.



If the compact appliance will be installed underneath a hob, the following worktop thicknesses (including substructure if necessary) must be taken into account.

| Hob type | min. worktop thickness | |
|----------------------------|------------------------|-------|
| | fitted | flush |
| Induction hob | 42 mm | 43 mm |
| Full surface Induction hob | 52 mm | 53 mm |
| Gas hob | 32 mm | 43 mm |
| Electric hob | 32 mm | 35 mm |

Dimensioned drawings

