

Series 4, Built-in microwave oven with hot air, 60 x 45 cm, Stainless steel

CMA583MS0B



The built-in compact microwave defrosts, heats and cooks helping you prepare food in the kitchen.

- **Hotair:** perfect results on one level thanks to optimal distribution of heat.
- **AutoPilot 15:** every dish is a perfect success thanks to 15 pre-set automatic programmes.
- **Pop-out controls:** Make the front of the oven easy to clean and give it a sleek look.
- **White LCD display control:** easy-to-use thanks to direct access to additional functions, temperature recommendation and temperature indication.
- **LED lighting:** perfect illumination of foods with minimum energy consumption.

Technical Data

Additional function: Microwave combination
 Type of control: Electronic
 Dimensions: 454 x 594 x 570 mm
 Cavity dimensions: 220 x 420 x 420 mm
 Length electrical supply cord: 150.0 cm
 Net weight: 34.5 kg
 Gross weight: 39.1 kg
 EAN code: 4242005036660
 Max. microwave power level: 900 W
 Connection rating: 3350 W
 Fuse protection: 16 A
 Voltage: 220-240 V
 Frequency: 50 Hz
 Plug type: fixed connection (electrical connection by electrician)
 Included accessories: 1 x grid high, 1 x grid flat, 1 x Turntable

Included accessories

1 x grid high, 1 x grid flat, 1 x Turntable

Optional accessories

HEZ317000 Pizza pan, enamelled
 HEZ86D000 Steamer Cooker Accessory for Microwave
 HEZ915003 Glass roasting dish, 5,4 L



Series 4, Built-in microwave oven with hot air, 60 x 45 cm, Stainless steel CMA583MS0B

**The built-in compact microwave defrosts,
heats and cooks helping you prepare food
in the kitchen.**

Design

- LCD Display, red display
- Drop down door
- Rotary dial, Retractable control dials, Touch controls, round, Start button
- Straight bar handle
- 36 cm Metal turntable

Features

- AutoPilot, 15
- Control panel lock
- Automatic safety switch off Door contact switch
- Electronic clock timer
- LED light
- Integral cooling fan

Programmes/functions

- Built-in Microwave with hot air function with the heating functions: Microwave, Hot Air Cooking, Hotair grilling, full width variable grill, pizza function
- Microwave may be used separately or in combination
- 1.75 KW grill function
- Grill and microwave power levels 90 W, 180 W, 360 W, 600 W combinable
- Fast pre-heating function
- 4 defrost and 3 cooking programmes in microwave function, 8 programmes for combination function

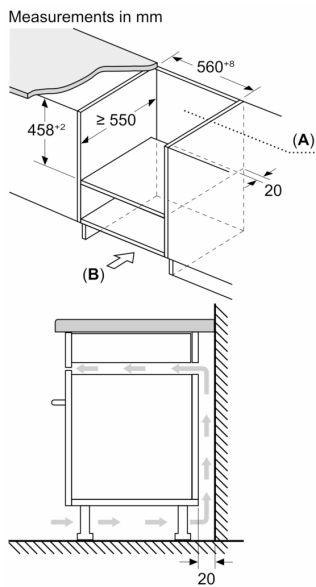
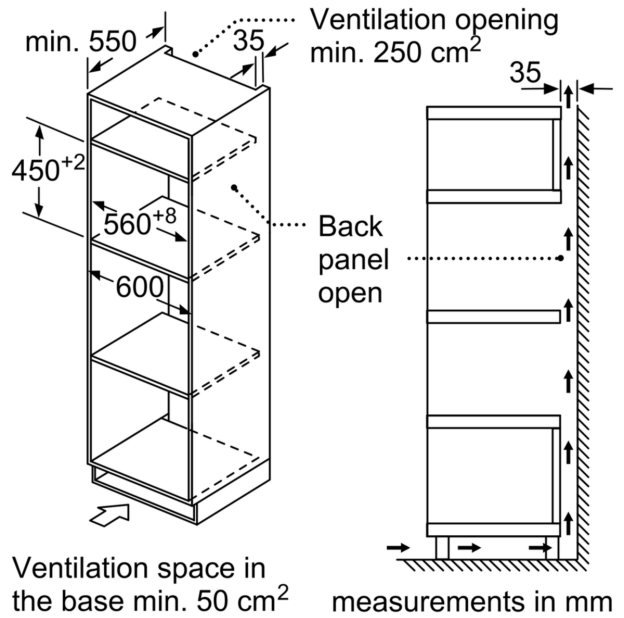
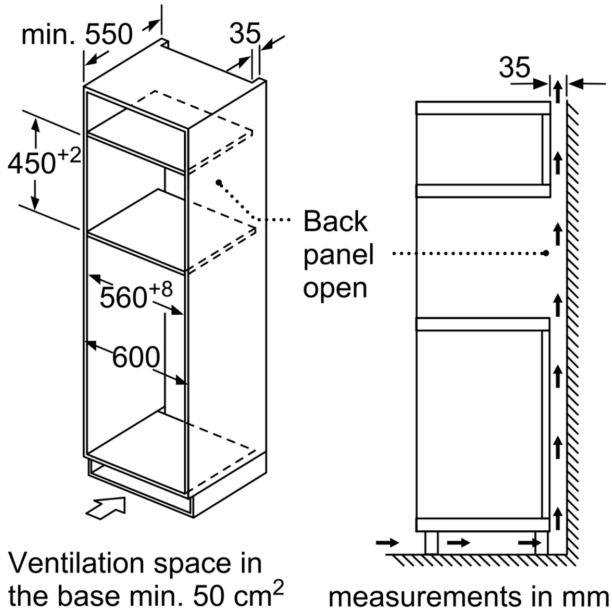
Accessories

- 1 x Turntable, 1 x grid high, 1 x grid flat

Performance/technical information

- Cavity volume: 44 l
- 150 cm Cable Cable length
- Total connected load electric: 3.35 KW
- Nominal voltage: 220 - 240 V
- Appliance dimension (hxwxd): 454 mm x 594 mm x 570 mm
- Niche dimension (hxwxd): 450 mm - 452 mm x 560 mm - 568 mm x 550 mm
- Please refer to the dimensions provided in the installation manual

**Series 4, Built-in microwave oven
with hot air, 60 x 45 cm, Stainless
steel
CMA583MS0B**



A: Back wall open
B: Ventilation space in the plinth ≥ 50 cm²

