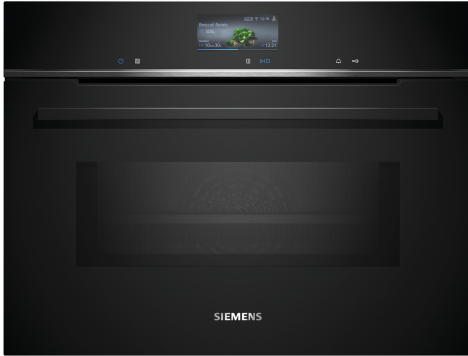


IQ700, Built-in compact oven with microwave function, 60 x 45 cm, Black CM736G1B1B



Included accessories

1 x combination grid, 1 x universal pan

Optional accessories

HZ66X650 Cover Strip, HZ915003 Glass roasting dish, 5,4 L, HZ531010 Baking tray, non-stick ceramic coated, HZ532010 Universal pan, non-stick ceramic coated, HZ617000 Pizza pan, enamelled, HZ629070 Air Fry & Grill tray, HZ631070 Baking tray, enamelled, HZ632070 Multipurpose pan, enamelled, HZ634000 Baking and roasting grid (standard), HZ636000 Glass pan, HZ664000 Baking and roasting grid (steam), HZ66X600 Decor list, HZ327000 Baking stone, HZ530000 2 multipurpose pans, slim size

The intelligent varioSpeed microwave oven with Oven Assistant with Voice Control for intuitive programme setting.

- ✓ TFT-Touchdisplay Plus – Smooth-touch navigation for simple and intuitive operation.
- ✓ Oven Assistant with Voice Control – Intuitively set the right programme.
- ✓ ecoClean: Cut down on oven cleaning
- ✓ humidClean Plus - For fast cleaning dirt is softened beforehand by vaporizing soapy water. It can then be removed more easily.
- ✓ Home Connect with Remote Control and Monitoring – Unlock the full potential of your smart oven.

Features

Technical Data

Additional functions: Microwave combination oven
 Type of control: Electronic
 Dimensions: 455 x 594 x 548 mm
 Cavity dimensions: 237.0 x 480 x 392.0 mm
 Length electrical supply cord: 150.0 cm
 Weight: 35.8 kg
 Gross weight: 38.1 kg
 EAN code: 4242003901236
 Maximum micro-wave power: 900 W
 Connection Rating: 3600 W
 Fuse protection: 16 A
 Nominal power: 220-240 V
 Frequency: 50; 60 Hz
 Plug type: no plug (electrical connection by electrician)
 Included accessories: 1 x combination grid, 1 x universal pan



IQ700, Built-in compact oven with microwave function, 60 x 45 cm, Black CM736G1B1B

Features

Features

- Compact oven with microwave with 19 heating methods: conventional, full width grill, half width grill, coolStart, bottom heat, low temperature cooking, keep warm, plate warming, Conventional heat gentle, Microwave, 4D Hot air, Conventional heat, Full width grill, Half width grill, Hot air grilling
- Max. Power: 900 W; 5 Microwave power settings (90 W, 180 W, 360 W, 600 W, boost) with Inverter (MW)
- Intelligent microwave inverter technology: For optimised results maximum output power will be regulated to 600 W when used in longer operation for gentler cooking.
- Temperature range 30 °C - 275 °C
- Cavity volume: 45 litres

Level independent telescopic rails

- 3 shelf positions

Design

- Touch control
- Cavity inner surface: enamel anthracite

Cleaning

- EcoCleanDirect : back panel
- hydrolyse program

Programmes/functions

- Oven Assistant with Voice Control
- SE62
- Electronic oven clock timer
- Automatic temperature proposal
- Actual temperature display Heating-up indicator
- Drop down oven door, softClose, softOpen
- cookControl Plus
- Fast pre-heat
- coolStart
- LED light, Light on/off when door opened/closed
- Integral cooling fan
- WLAN - Home connect enabled

Accessories

- 1 x combination grid, 1 x universal pan

Features

- Heat reflective glass
- Control panel lock
- Automatic safety switch off Residual heat indicator Start button Door contact switch

Technical information

- 150 cm Cable Cable length
- Nominal voltage: 220 - 240 V
- Total connected load electric: 3.6 KW

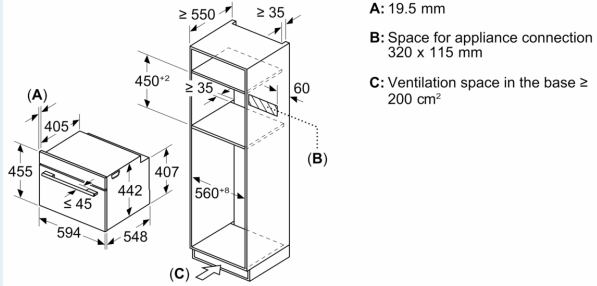
Performance/technical information

- Appliance dimension (hxwxd): 455 mm x 594 mm x 548 mm
- Niche dimension (hxwxd): 450 mm - 455 mm x 560 mm - 568 mm x 550 mm
- Please refer to the dimensions provided in the installation manual
- Triple glazed door with heat reflective glass glazed CoolTouch door

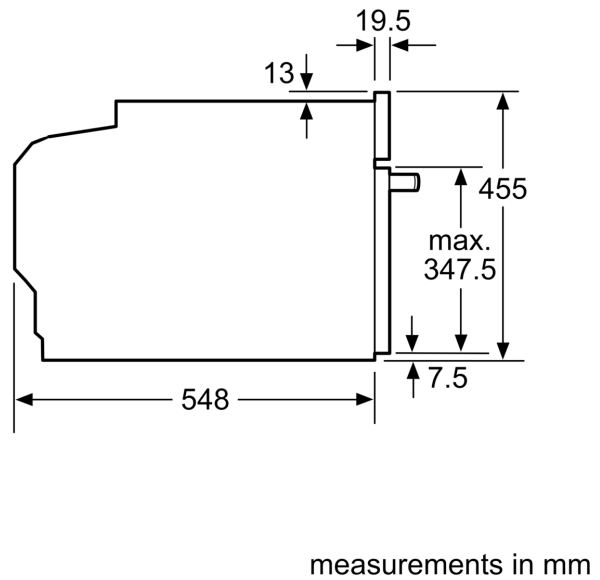
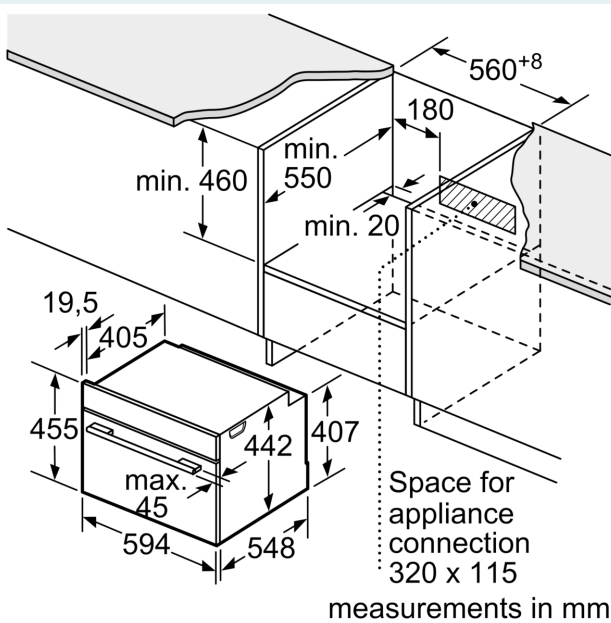
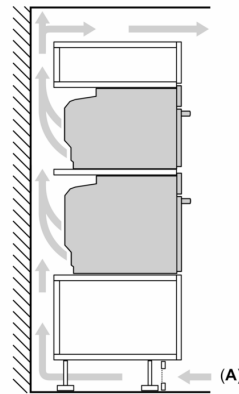
**IQ700, Built-in compact oven with
microwave function, 60 x 45 cm,
Black
CM736G1B1B**

Dimensioned drawings

Measurements in mm

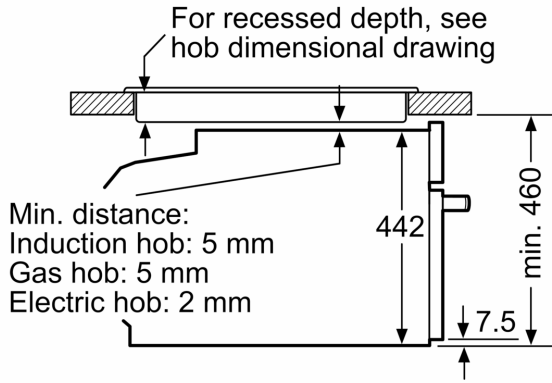


Installing two appliances on top of each other
Air exchange



Dimensioned drawings

Installation with a hob.



measurements in mm

If the compact appliance will be installed underneath a hob, the following worktop thicknesses (including substructure if necessary) must be taken into account.

Hob type	min. worktop thickness	
	fitted	flush
Induction hob	42 mm	43 mm
Full surface Induction hob	52 mm	53 mm
Gas hob	32 mm	43 mm
Electric hob	32 mm	35 mm