

IQ700, Steamer, 60 x 45 cm, Stainless steel CD634GAS0B



Included accessories

punched, 1 x steam container, unpunched, size L, 1 x sponge

Optional accessories

HZ66X600	Decor list
HZ66X650	Cover Strip
HZ915003	Glass roasting dish, 5,4 L

The compact steamer for delicious, low-fat, healthy food preparation.

- ✓ The full steam function: making it simple to cook healthy and delicious meals
- ✓ Automatic programs ensure excellent results - cookControl20
- ✓ TFT Display: good readability from any perspective.
- ✓ Halogen-Illumination: for precise lighting.
- ✓ softMove: gentle opening and closing of the oven door.

Features

Technical Data

Plug type: GB plug
 Frequency: 50; 60 Hz
 Nominal power: 220-240 V
 Fuse protection: 10 A
 Connection Rating: 1750 W
 EAN code: 4242003833261
 Length electrical supply cord: 150.0 cm
 Weight: 22.1 kg
 Door Material: Glass
 Control Panel Material: Stainless steel
 Dimensions of the packed product (HxWxD): ... 530 x 660 x 690 mm
 Dimensions: 455 x 594 x 548 mm
 Min. required niche size for installation (HxWxD): 450-455 x 560-568 x 550 mm
 Built-in / Free-standing: Built-in
 Included accessories: 1 x steam container, punched, size L, 1 x steam container, unpunched, size L, 1 x sponge



IQ700, Steamer, 60 x 45 cm, Stainless steel CD634GAS0B

Features

Design

- 2.8" TFT Display
- Drop down oven door, softClose, softOpen
- Cavity inner surface: stainless steel
- Stainless steel control dial
- 1 interior light, Light on/off when door opened/closed
- Bar handle
- We recommend you to choose complementary products within IQ700, in order to assure an optimal design combination of your Built-In appliances.

Features

- 3 shelf positions
- Control panel lock
- Automatic safety switch off Start button Door contact switch
- cookControl, 20
- Electronic oven clock timer
- Tank empty indicator
- Automatic temperature proposal
- Actual temperature display Heating-up indicator cookControl
- Integral cooling fan

Cleaning

- Full glass inner door

Programmes/functions

- Automatic programmes

Accessories

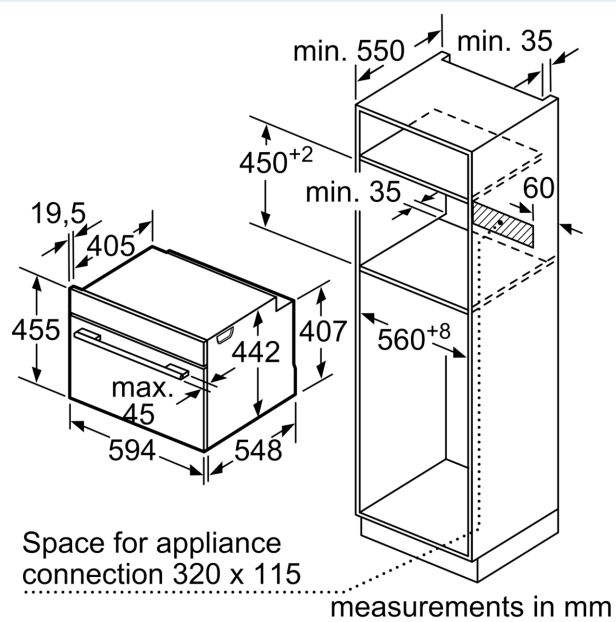
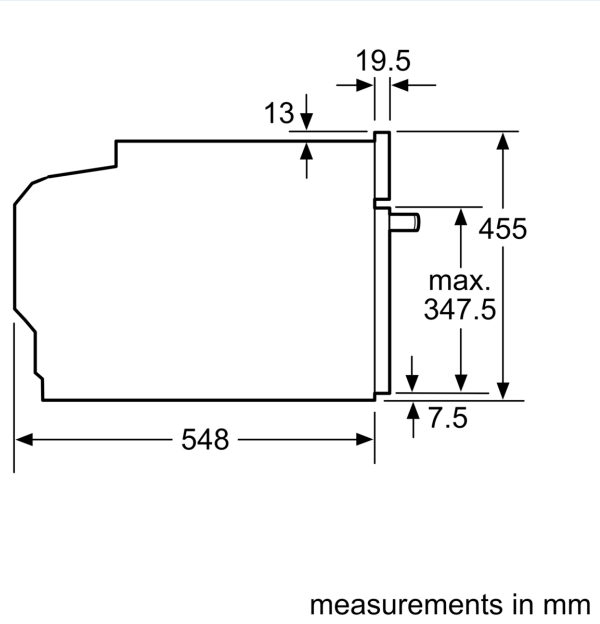
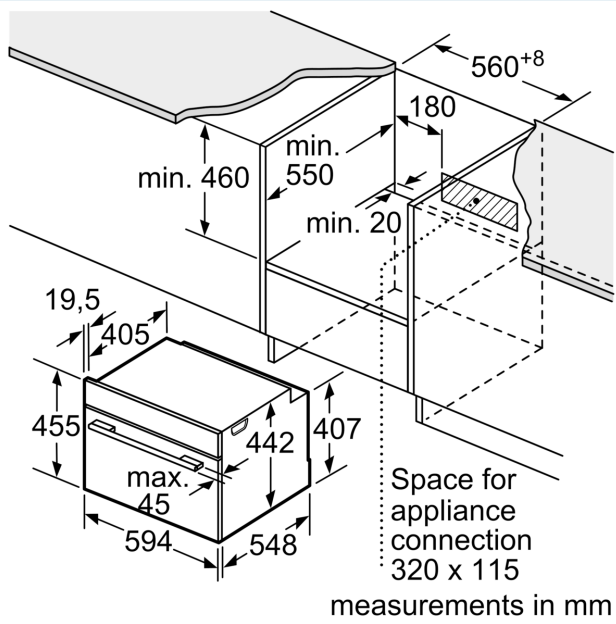
- 1 x steam container, punched, size L, 1 x steam container, unpunched, size L, 1 x sponge

Performance/technical information

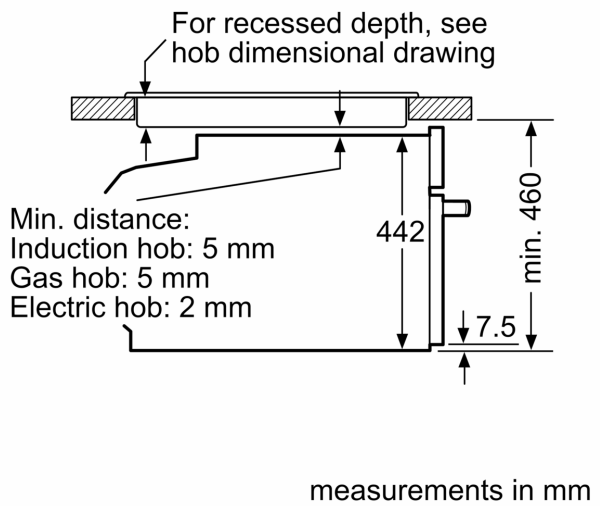
- Cavity volume: 38 litres
- 1.3 l Water tank capacity:
- Location of water tank: Inside cavity
- 150 cm Cable Cable length
- Total connected load electric: 1.75 KW
- Nominal voltage: 220 - 240 V
- Appliance dimension (hxwx): 455 mm x 594 mm x 548 mm
- Please refer to the dimensions provided in the installation manual

**IQ700, Steamer, 60 x 45 cm,
Stainless steel
CD634GAS0B**

Dimensioned drawings



Installation with a hob.



Dimensioned drawings

If the compact appliance will be installed underneath a hob, the following worktop thicknesses (including substructure if necessary) must be taken into account.

Hob type	min. worktop thickness	
	fitted	flush
Induction hob	42 mm	43 mm
Full surface Induction hob	52 mm	53 mm
Gas hob	32 mm	43 mm
Electric hob	32 mm	35 mm