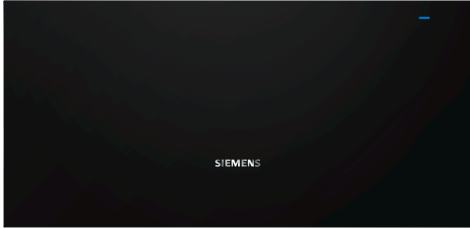


**IQ700, Warming drawer, 60 x 29 cm, Black
BI630DNS1B**



- ✓ push&pull – No-handle drawer that’s easy to open and close.
- ✓ The heated sheet admits a regulation in four temperature levels from 30°-80°C glass surface temperature

Features

Technical Data

Built-in / Free-standing: Built-in
 Capacity (in number of plates): 40
 Maximum number of espresso cups: 192
 Dimensions: 290 x 594 x 548 mm
 Dimensions of the packed product (HxWxD): ... 350 x 640 x 660 mm
 Min. required niche size for installation (HxWxD): .. 290 x 560 x 550 mm
 EAN code: 4242003676639
 Fuse protection: 10 A
 Nominal power: 220-240 V
 Frequency: 60; 50 Hz
 Plug type: GB plug



Optional accessories	
HZ6WCC0	Cookbook

IQ700, Warming drawer, 60 x 29 cm, Black BI630DNS1B

Features

Design

- Easy to clean toughened glass heating plate
- Stainless steel control dial
- Handleless push-pull opening mechanism
- Can accommodate up to:
 - -40plates
 - -192 espresso cups
- Temperature control in 4 levels: ca. 30°C - 80°C (glass surface temperature)

Programmes/functions

- 5 functions: dough proving thawing of delicate foods keeping drinks and food warm pre-warming of crockery gentle cooking

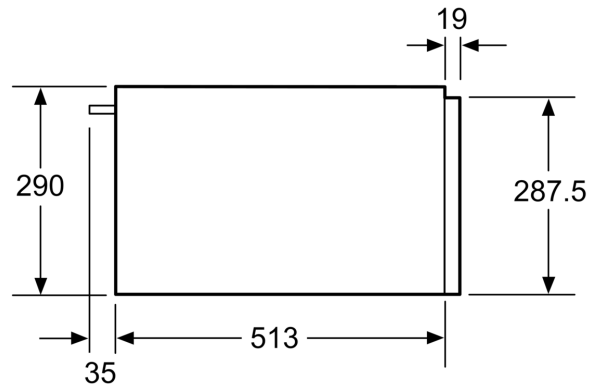
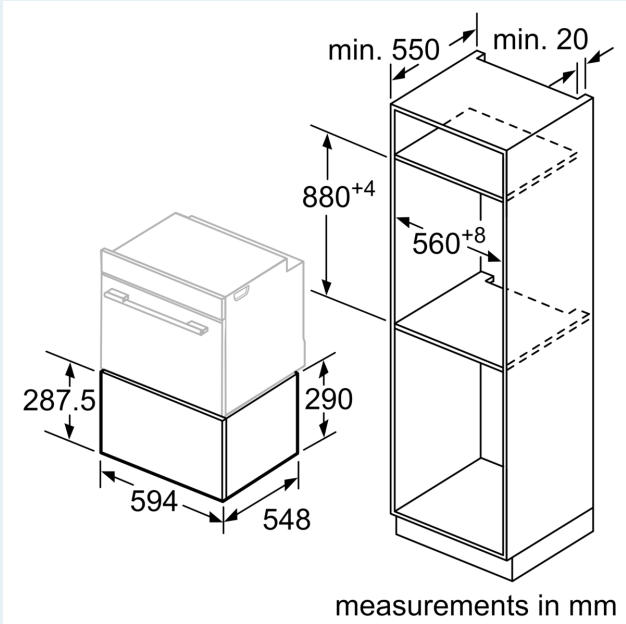
Performance/technical information

Technical information

- Cavity volume: 52 l
- Loading up to 25 kg
- Total connected load electric: 0.81 KW
- 150 cm Cable Cable length
- Nominal voltage: 220 - 240 V
- Appliance dimension (hxwxd): 290 mm x 594 mm x 548 mm
- Niche dimension (hxwxd): 290 mm x 560 mm - 568 mm x 550 mm
- Please refer to the dimensions provided in the installation manual

**IQ700, Warming drawer, 60 x 29 cm, Black
BI630DNS1B**

Dimensioned drawings



Ovens with an appliance height of 595 mm can be installed above a warming drawer. An intermediate floor is not required.