

Series 8, built-in microwave, Black BFL634GB1B



Optional accessories

HEZ6UCC0 Cookbook

- **AutoPilot 7:** every dish is a perfect success thanks to 7 pre-set automatic programmes.
- **TFT display control:** easy-to-use thanks to the control ring with full text and symbols.
- **Red LCD display control:** easy-to-use thanks to direct access to additional functions, temperature recommendation and temperature indication.
- **Cleaning Assistance:** less cleaning effort thanks to the new cleaning option, which can be especially used for cleaning of light soiling.
- **LED lighting:** perfect illumination of foods with minimum energy consumption.

Technical Data

Additional function: Microwave only
 Type of control: Electronic
 Dimensions: 382 x 594 x 318 mm
 Cavity dimensions: 220 x 350 x 270 mm
 Length electrical supply cord: 150.0 cm
 Net weight: 16.7 kg
 Gross weight: 18.9 kg
 EAN code: 4242002871486
 Max. microwave power level: 900 W
 Connection rating: 1220 W
 Fuse protection: 10 A
 Voltage: 220-240 V
 Frequency: 60; 50 Hz
 Plug type: GB plug



Series 8, built-in microwave, Black BFL634GB1B

Design

- Side opening door, left hinged

Features

- Start button
- Intelligent microwave inverter technology: For optimised results maximum output power will be regulated to 600 W when used in longer operation for gentler cooking.
- AutoPilot, 7
- LED light
- Integral cooling fan

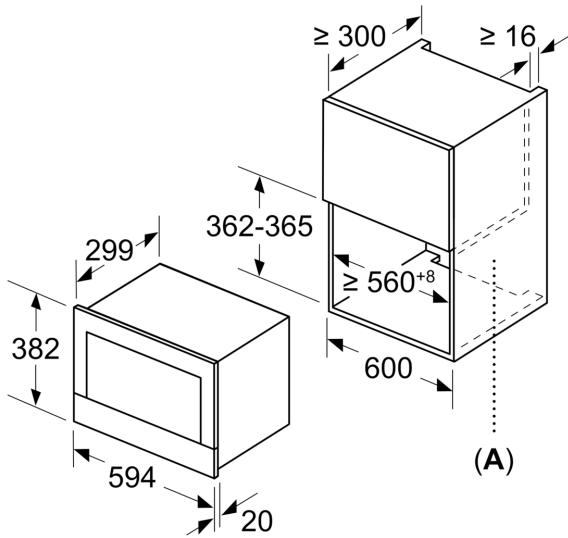
Programmes/functions

Performance/technical information

- 150 cm Cable Cable length
- Total connected load electric: 1.22 KW
- Nominal voltage: 220 - 240 V
- Appliance dimension (hxwxd): 382 mm x 594 mm x 318 mm
- Niche dimension (hxwxd): 362 mm - 380 mm x 560 mm - 568 mm x 300 mm
- Please refer to the dimensions provided in the installation manual

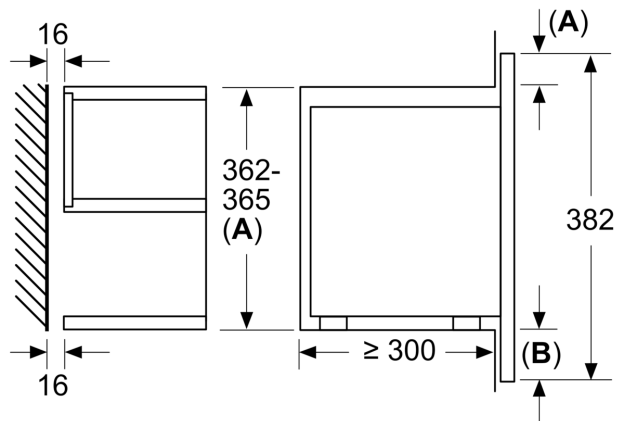
Series 8, built-in microwave, Black
BFL634GB1B

measurements in mm

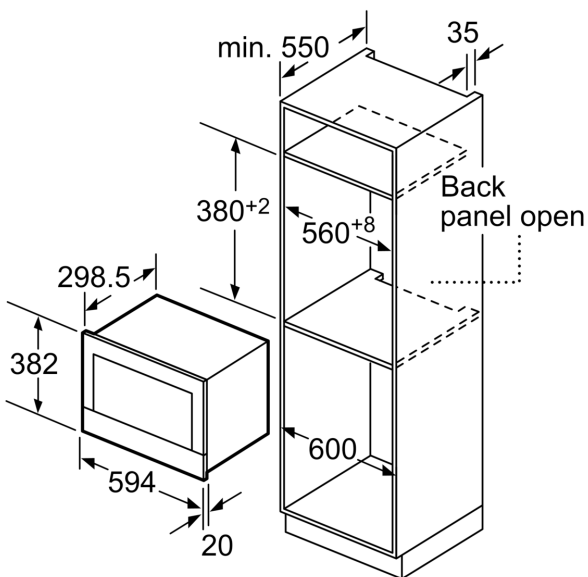


A: Back panel open

measurements in mm



- A: Overhang at top:**
 - Recess 362: 6 mm
 - Recess 365: 3 mm
- B: Overhang at bottom: 14 mm**



measurements in mm