

**Series 6, built-in microwave, 59 x 38 cm, Stainless steel
BFL554MS0B**



Included accessories

1 x Turntable

**The built-in microwave for the 38 cm niche:
use it for thawing, heating and perfect
preparation of foods.**

- **AutoPilot 7:** every dish is a perfect success thanks to 7 pre-set automatic programmes.
- **Pop-out controls:** Make the front of the oven easy to clean and give it a sleek look.
- **Red LCD display control:** easy-to-use thanks to direct access to additional functions, temperature recommendation and temperature indication.
- **Cleaning Assistance:** less cleaning effort thanks to the new cleaning option, which can be especially used for cleaning of light soiling.
- **LED lighting:** perfect illumination of foods with minimum energy consumption.

Technical Data

Type of micro-wave oven : MW only

Type of control : Electronic

Color / Material Front : Stainless steel

Dimensions : 382 x 594 x 388 mm

Cavity dimensions : 208.0 x 328.0 x 369.0 mm

Length electrical supply cord : 130 cm

Net weight : 18.5 kg

Gross weight : 21.1 kg

EAN code : 4242005038961

Maximum micro-wave power : 900 W

Connection Rating : 1450 W

Fuse protection : 10 A

Voltage : 230-240 V

Frequency : 50 Hz

Plug type : GB plug

Cavity dimensions : 208.0 x 328.0 x 369.0 mm

Included accessories : 1 x Turntable



4 242005 038961

**Series 6, built-in microwave, 59 x 38 cm,
Stainless steel
BFL554MS0B**

**The built-in microwave for the 38 cm niche:
use it for thawing, heating and perfect
preparation of foods.**

Design

- LED Display, White
- Side opening door, left hinged
- 31.5 cm Glass turntable
- Cavity inner surface: stainless steel
- Electronic clock timer

Features

- Automatic safety switch off
Door contact switch
- AutoPilot, 7
- LED light
- Integral cooling fan

Programmes/functions

- 900 W maximum microwave power and the following options:
180 W, 360 W, 600 W, 90 W, 900 W
- 4 defrost and 3 cooking programmes in microwave function
- 1 memory setting

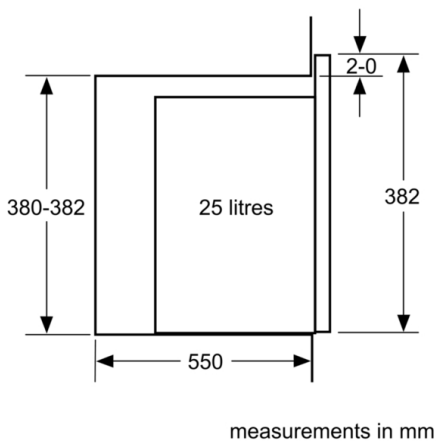
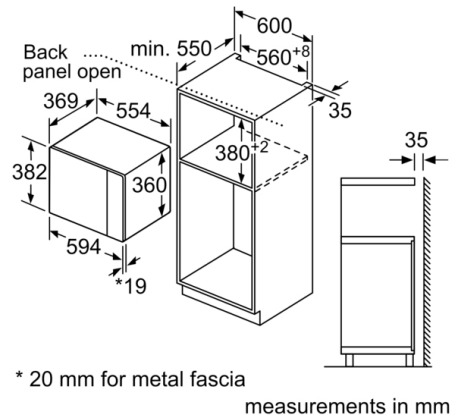
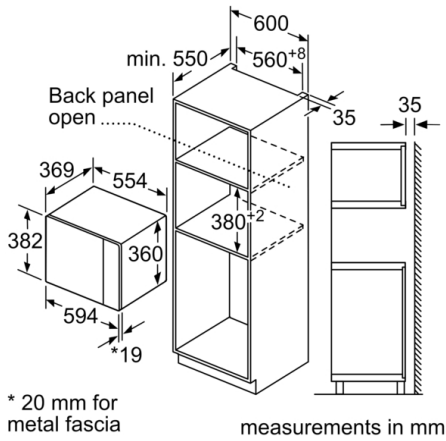
Accessories

- 1 x Turntable

Performance/technical information

- Cavity volume: 25 l
- 130 cm Cable length
- Total connected load electric: 1.45 KW
- Nominal voltage: 230 - 240 V
- Appliance dimension (hxwxd): 382 mm x 594 mm x 388 mm
- Niche dimension (hxwxd): 380 mm - 382 mm x 560 mm - 568 mm x 550 mm
- Please refer to the dimensions provided in the installation manual

**Series 6, built-in microwave, 59 x 38 cm,
Stainless steel
BFL554MS0B**



Microwave,
corner installation

