

IQ700, Built-in microwave, Black BF922R1B1B



Optional accessories	
HZ6UCC0	Cookbook
HZG9AS00S	Adapter

The microwave with touchControl for easy control and direct selection of heating modes.

- ✓ TFT-Touchdisplay – Touch navigation for intuitive operation.
- ✓ For fast cleaning dirt is softened beforehand by vaporizing soapy water. It can then be removed more easily – humidClean program.
- ✓ Automatic programs ensure best results.
- ✓ 900 Watts maximum: ideal for heating liquids
- ✓ The side-opening hinged door: ideal for elevated installation.

Features

Technical Data	
Additional functions:	Microwave only
Type of control:	Electronic
Dimensions:	382 x 594 x 318 mm
Cavity dimensions:	230 x 350 x 270 mm
Length electrical supply cord:	175.0 cm
Weight:	17.1 kg
Gross weight:	18.9 kg
EAN code:	4242003906767
Maximum micro-wave power:	900 W
Connection Rating:	1220 W
Fuse protection:	10 A
Nominal power:	220-240 V
Frequency:	50; 60 Hz
Plug type:	GB plug



IQ700, Built-in microwave, Black BF922R1B1B

Features

Features

- Maximum microwave power level: 900 W and the following options: 180 W, 360 W, 600 W, 90 W, 900 W
- Intelligent microwave inverter technology: For optimised results maximum output power will be regulated to 600 W when used in longer operation for gentler cooking.
- Cavity volume: 21 l

Design

- stainless steel, Stainless steel cavity with glass base cavity with Stainless steel cavity with glass base, stainless steel

Cleaning

- hydrolyse program

Programmes/functions

- Electronic oven clock timer
- Touch control
- User-friendly electronics: extremely
- easy and comfortable operation
- cookControl, 7
- 3 defrost and 4 cooking programmes in microwave function
- yes: one tap to maximum microwave power for 30 seconds
- LED light
- Right hinged side opening door, maximum opening angle 160 degrees
- Electronic door opening button
- Touch key operation

Features

- Start button
- Door contact switch
- Integral cooling fan

Technical information

- Total connected load electric: 1.22 KW
- Nominal voltage: 220 - 240 V
- Installation 60 cm wide wall unit, Installation in tall housing

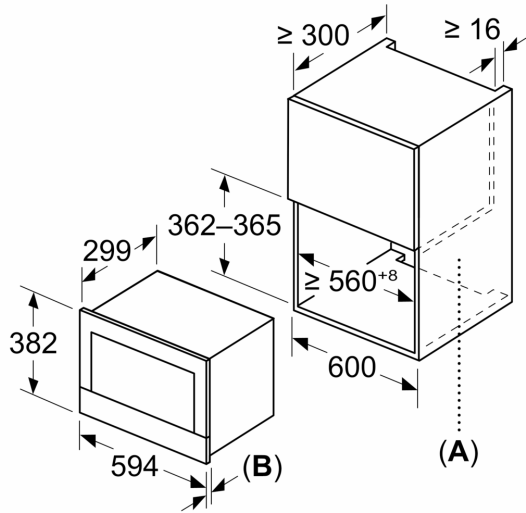
Performance/technical information

- Appliance dimension (hxwx): 382 mm x 594 mm x 318 mm
- Niche dimension (hxwx): 362 mm - 382 mm x 560 mm - 568 mm x 300 mm
- Please refer to the dimensions provided in the installation manual

**IQ700, Built-in microwave, Black
BF922R1B1B**

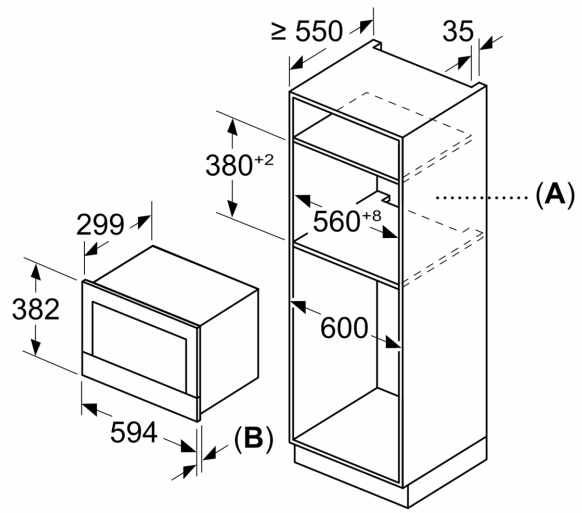
Dimensioned drawings

Measurements in mm



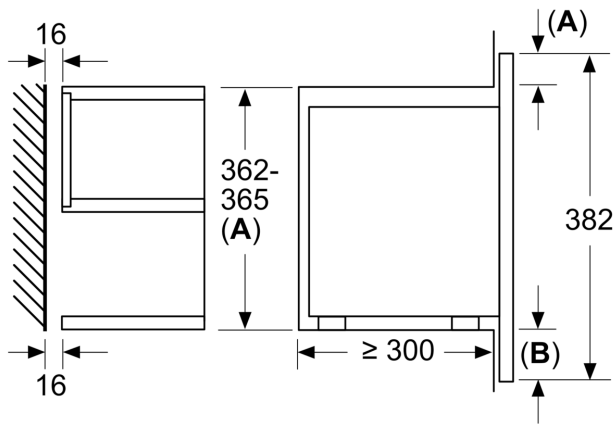
A: Back wall open
B: 19.5 mm

Measurements in mm



A: Back wall open
B: 19.5 mm

measurements in mm



A: Overhang at top:
Recess 362: 6 mm
Recess 365: 3 mm
B: Overhang at bottom: 14 mm