

**IQ700, Built-in microwave,
Stainless steel
BF634LGS1B**



Optional accessories

HZ6UCC0 Cookbook

- ✓ Automatic programs ensure best results.
- ✓ TFT Display: good readability from any perspective.
- ✓ 900 Watts maximum: ideal for heating liquids
- ✓ LED-Illumination: optimum, energy-efficient illumination.
- ✓ The side-opening hinged door: ideal for elevated installation.

Features

Technical Data

Additional functions: Microwave only
 Type of control: Electronic
 Dimensions: 382 x 594 x 318 mm
 Cavity dimensions: 220 x 350 x 270 mm
 Length electrical supply cord: 150.0 cm
 Weight: 16.0 kg
 Gross weight: 18.2 kg
 EAN code: 4242003676417
 Maximum micro-wave power: 900 W
 Connection Rating: 1220 W
 Fuse protection: 10 A
 Nominal power: 220-240 V
 Frequency: 50; 60 Hz
 Plug type: GB plug



IQ700, Built-in microwave, Stainless steel BF634LGS1B

Features

Design

- 2.8" TFT Display
- Left hinged door

Features

- Intelligent microwave inverter technology: For optimised results maximum output power will be regulated to 600 W when used in longer operation for gentler cooking.
- Start button
- Door contact switch
- LED light
- Integral cooling fan

Programmes/functions

- cookControl, 7

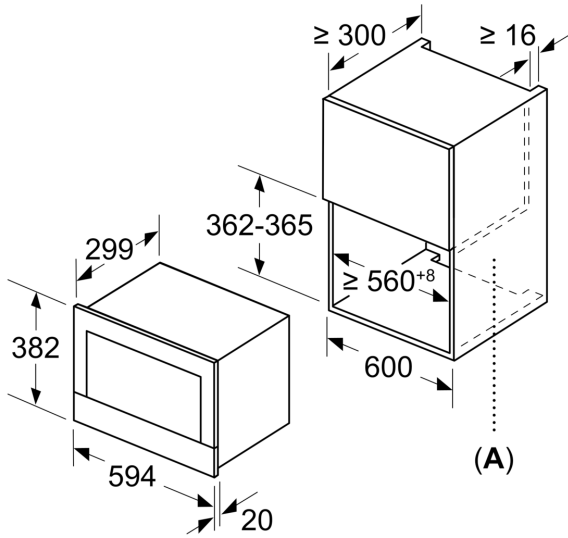
Performance/technical information

- 150 cm Cable Cable length
- Total connected load electric: 1.22 KW
- Nominal voltage: 220 - 240 V
- Appliance dimension (hxwxd): 382 mm x 594 mm x 318 mm
- Niche dimension (hxwxd): 362 mm - 382 mm x 560 mm - 568 mm x 300 mm
- Please refer to the dimensions provided in the installation manual

**IQ700, Built-in microwave,
Stainless steel
BF634LGS1B**

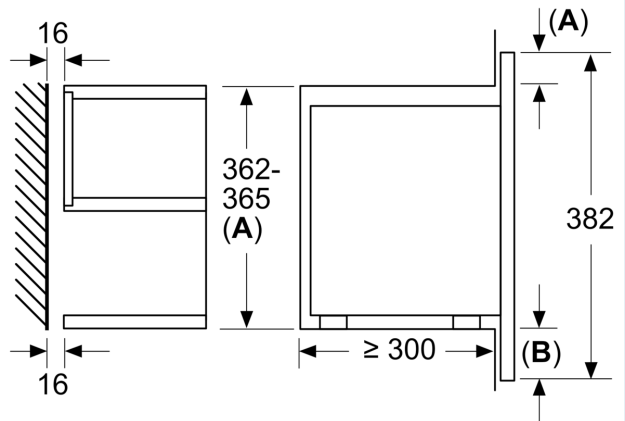
Dimensioned drawings

measurements in mm

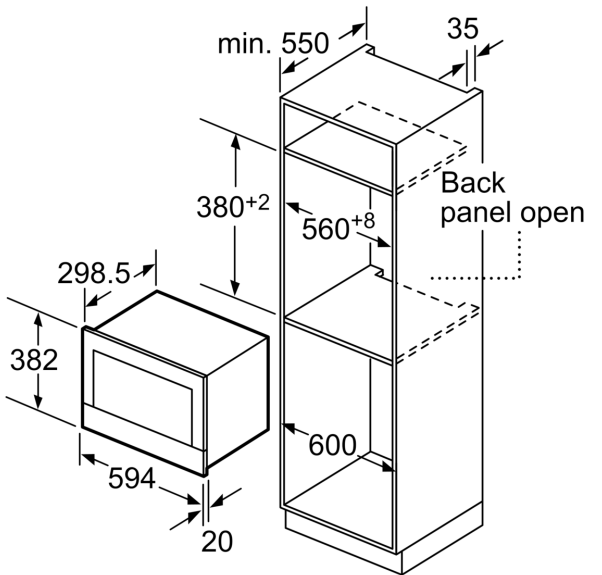


A: Back panel open

measurements in mm



- A: Overhang at top:**
 Recess 362: 6 mm
 Recess 365: 3 mm
- B: Overhang at bottom: 14 mm**



measurements in mm