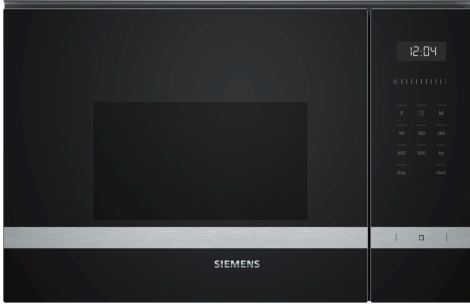


**IQ500, Built-in microwave, 59 x 38 cm, Stainless steel
BF555LMS0B**



Included accessories	
1 x Turntable	
Optional accessories	
HZ86D000	Steamer Cooker Accessory for Microwave


38 cm high built-in microwave for defrosting, reheating or preparation of dishes in the shortest possible time.

- ✓ Automatic programs ensure best results.
- ✓ 900 Watts maximum: ideal for heating liquids
- ✓ The side-opening hinged door: ideal for elevated installation.

Features

Technical Data

Additional functions: Microwave only
 Type of control: Electronic
 Dimensions: 382 x 594 x 388 mm
 Cavity dimensions: 208.0 x 328.0 x 369.0 mm
 Length electrical supply cord: 130.0 cm
 Weight: 17.3 kg
 Gross weight: 20.4 kg
 EAN code: 4242003805725
 Maximum micro-wave power: 900 W
 Connection Rating: 1450 W
 Fuse protection: 10 A
 Nominal power: 230-240 V
 Frequency: 50 Hz
 Plug type: GB plug
 Included accessories: 1 x Turntable



IQ500, Built-in microwave, 59 x 38 cm, Stainless steel BF555LMS0B

Features

Design

- Cavity inner surface: stainless steel
- LED display, White display with blue indicator lights
- Touch control, touchSlider, Start button
- Left hinged door
- 31.5 cm Glass turntable

Features

- Automatic safety switch off
- Door contact switch
- cookControl, 7
- LED light
- Electronic oven clock timer
- Electronic door opening button
- Integral cooling fan

Programmes/functions

- Maximum microwave power level: 900 W and the following options: 180 W, 360 W, 600 W, 90 W, 900 W
- 4 defrost and 3 cooking programmes in microwave function
- 1 memory setting

Accessories

- 1 x Turntable

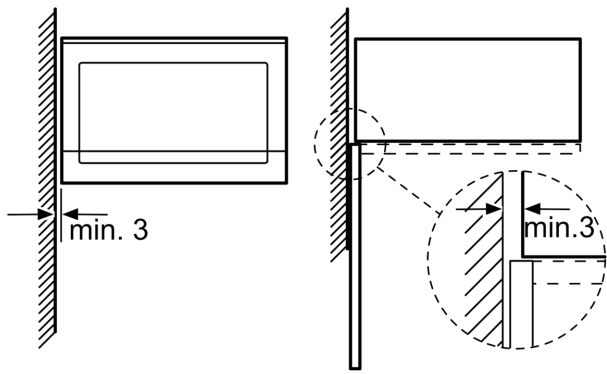
Performance/technical information

- Cavity volume: 25 l
- 130 cm Cable length
- Total connected load electric: 1.45 KW
- Nominal voltage: 230 - 240 V
- Appliance dimension (hxwxh): 382 mm x 594 mm x 388 mm
- Niche dimension (hxwxh): 380 mm - 382 mm x 560 mm - 568 mm x 550 mm
- Please refer to the dimensions provided in the installation manual

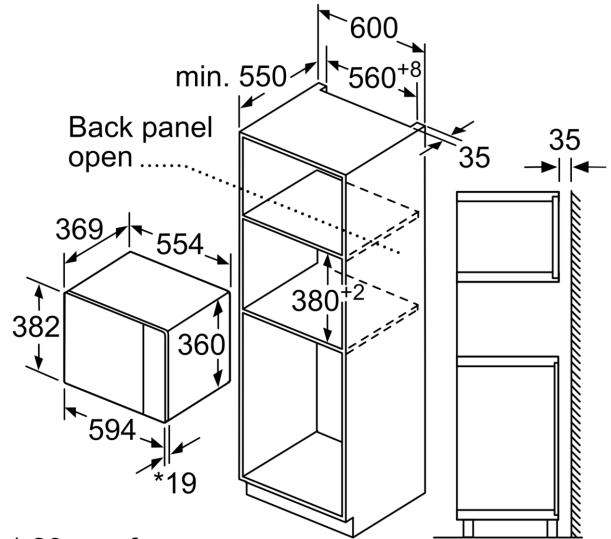
**IQ500, Built-in microwave, 59 x 38 cm, Stainless steel
BF555LMS0B**

Dimensioned drawings

Microwave, corner installation

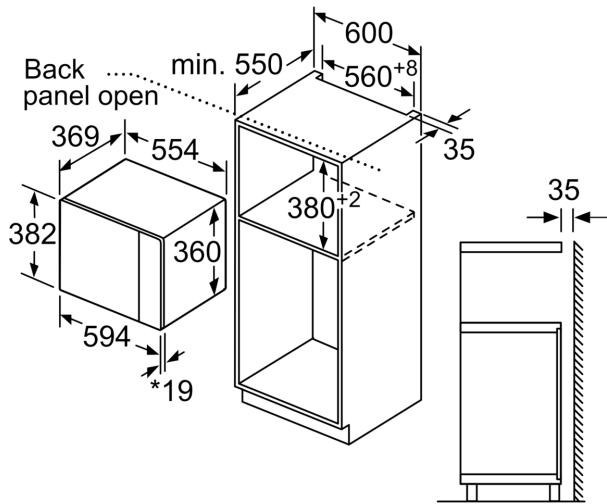


Measurements in mm



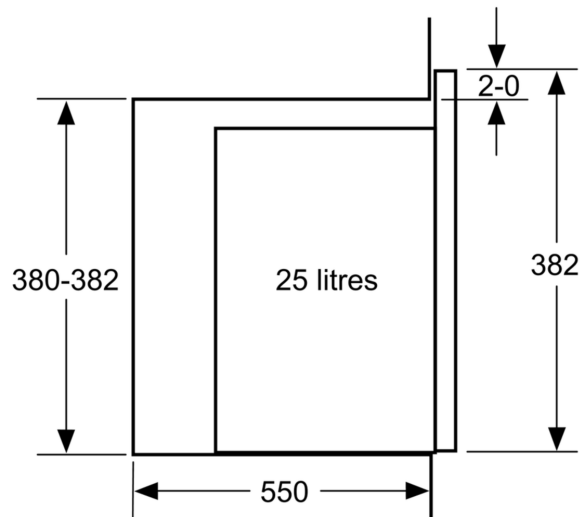
* 20 mm for metal fascia

measurements in mm



* 20 mm for metal fascia

measurements in mm



measurements in mm