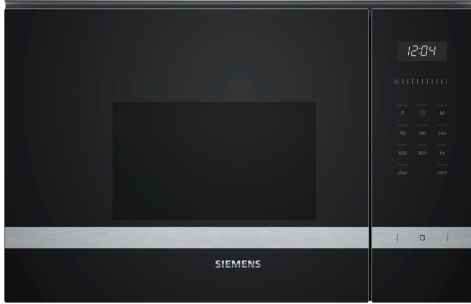


**iQ500, built-in microwave, 60 x 38 cm, Stainless steel
BF525LMS0B**



Included accessories	
1 x Turntable	
Optional accessories	
HZ86D000	Steamer Cooker Accessory for Microwave

38 cm high built-in microwave for defrosting, reheating or preparation of dishes in the shortest possible time.

✓ The side-opening hinged door: ideal for elevated installation.

Features	
Technical Data	
Additional functions:	Microwave only
Type of control:	Electronic
Dimensions:	382 x 594 x 317 mm
Cavity dimensions:	201.0 x 308.0 x 282.0 mm
Length electrical supply cord:	130.0 cm
Weight:	15.9 kg
Gross weight:	18.2 kg
EAN code:	4242003805534
Maximum micro-wave power:	800 W
Connection Rating:	1270 W
Fuse protection:	10 A
Nominal power:	230-240 V
Frequency:	50 Hz
Plug type:	GB plug
Included accessories:	1 x Turntable



iQ500, built-in microwave, 60 x 38 cm, Stainless steel BF525LMS0B

Features

Design

- Left hinged door
- stainless steel cavity interior
- LED display, White display with blue indicator lights
- 25.5 cm Glass turntable

Features

- Automatic safety switch off
- Door contact switch
- LED light
- Integral cooling fan

Programmes/functions

- cookControl, 7
- 1 memory setting
- 1 x Turntable

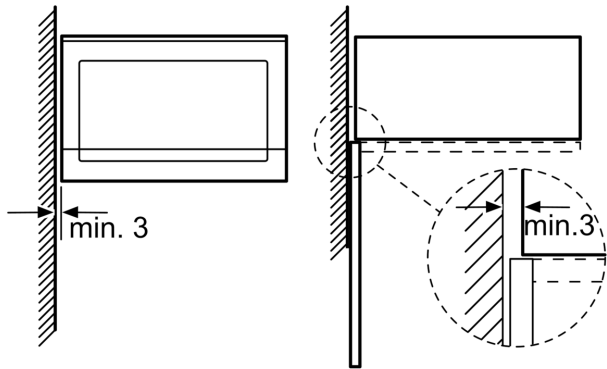
Performance/technical information

- 130 cm Cable length
- Total connected load electric: 1.27 KW
- Nominal voltage: 230 - 240 V
- Appliance dimension (hxwxd): 382 mm x 594 mm x 317 mm
- Niche dimension (hxwxd): 362 mm - 365 mm x 560 mm - 568 mm x 300 mm
- Installation 60 cm wide wall unit, Installation in tall housing
- Please refer to the dimensions provided in the installation manual

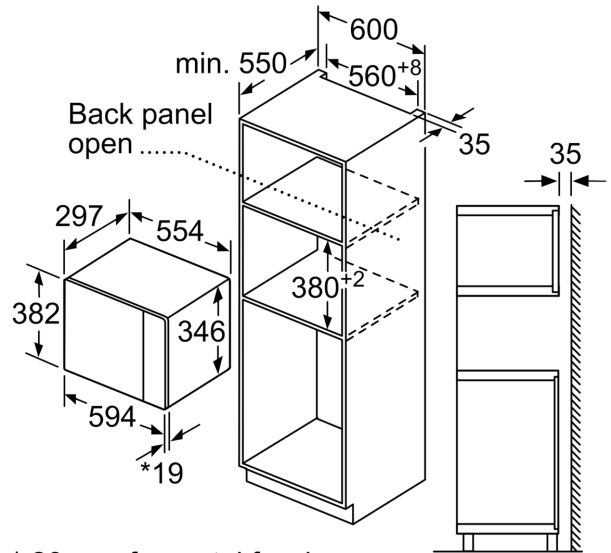
**iQ500, built-in microwave, 60 x 38 cm, Stainless steel
BF525LMS0B**

Dimensioned drawings

Microwave,
corner installation



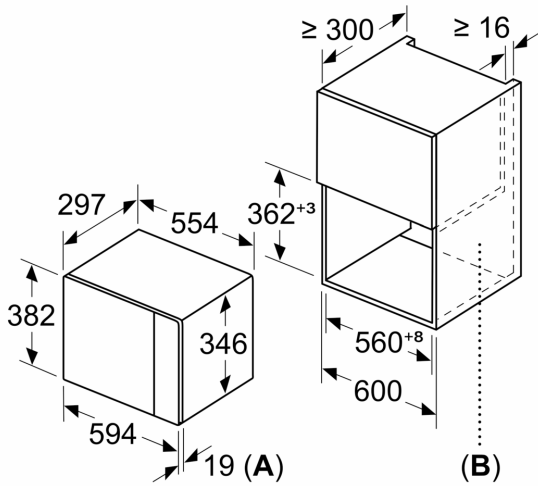
Measurements in mm



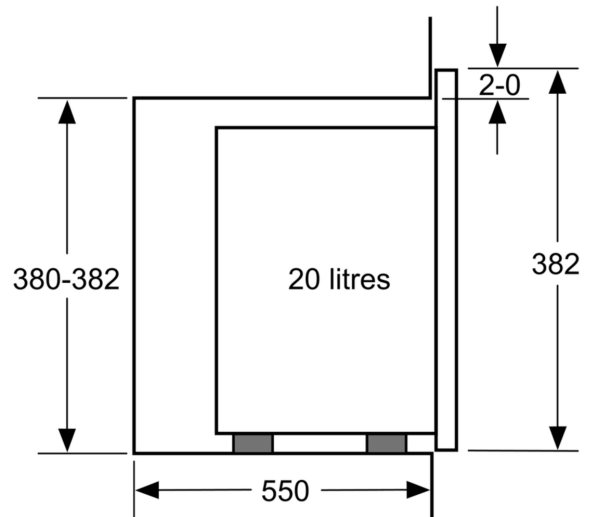
* 20 mm for metal fascia

measurements in mm

Measurements in mm



A: 20 mm for metal fascia
B: Back panel open



measurements in mm

Dimensioned drawings

