

**Series 8, built-in microwave,
Stainless steel
BEL634GS1B**



Included accessories

1 x grid, 1 x Glass tray

Optional accessories

HEZ6TCC0 Cookbook

- **Microwave function:** time saving preparation, defrosting and re-heating of dishes.
- **AutoPilot 10:** every dish is a perfect success thanks to 10 pre-set automatic programmes.
- **TFT display control:** easy-to-use thanks to the control ring with full text and symbols.
- **Red LCD display control:** easy-to-use thanks to direct access to additional functions, temperature recommendation and temperature indication.
- **Cleaning Assistance:** less cleaning effort thanks to the new cleaning option, which can be especially used for cleaning of light soiling.

Technical Data

Additional function:Grill function
 Type of control:Electronic
 Dimensions: 382 x 594 x 318 mm
 Cavity dimensions: 220 x 350 x 270 mm
 Length electrical supply cord: 150.0 cm
 Net weight: 18.7 kg
 Gross weight: 20.9 kg
 EAN code:4242002813721
 Max. microwave power level: 900 W
 Connection rating: 1990 W
 Fuse protection:10 A
 Voltage: 220-240 V
 Frequency: 50; 60 Hz
 Plug type: GB plug
 Included accessories: 1 x grid, 1 x Glass tray



4 242002 813721

Series 8, built-in microwave, Stainless steel BEL634GS1B

Design

- stainless steel, Glass base cavity with Glass base, stainless steel
- Electronic clock timer
- Bosch control wheel, Touch controls
- Touch key operation
- Side opening door, left hinged

Features

- Start button
- Intelligent microwave inverter technology: For optimised results maximum output power will be regulated to 600 W when used in longer operation for gentler cooking.
- Microwave and grill for separate use
- Electronic open button
- AutoPilot, 10
- LED light
- Integral cooling fan

Programmes/functions

- 900 W maximum microwave power and the following options: 180 W, 360 W, 600 W, 90 W, 900 W
- 1.3 KW grill function
- Grill and microwave power levels 90 W, 180 W, 360 W combinable

Accessories

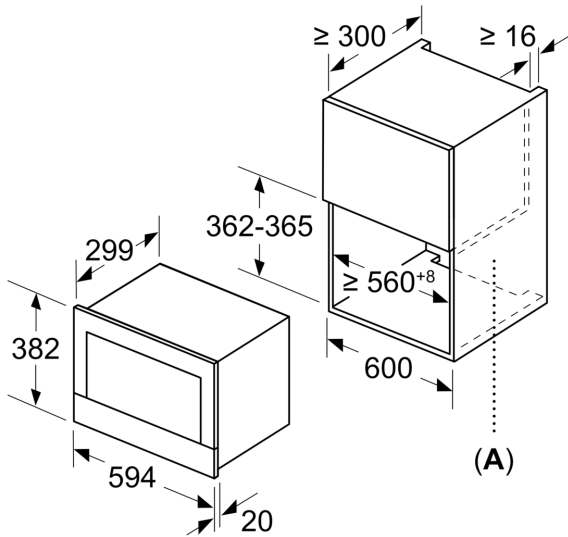
- 1 x Glass tray, 1 x grid

Performance/technical information

- Cavity volume: 21 l
- 150 cm Cable Cable length
- Total connected load electric: 1.99 KW
- Nominal voltage: 220 - 240 V
- Appliance dimension (hxwxd): 382 mm x 594 mm x 318 mm
- Niche dimension (hxwxd): 362 mm - 382 mm x 560 mm - 568 mm x 300 mm
- For installation into a 60 cm wide wall unit, installation in tall housing
- Please refer to the dimensions provided in the installation manual

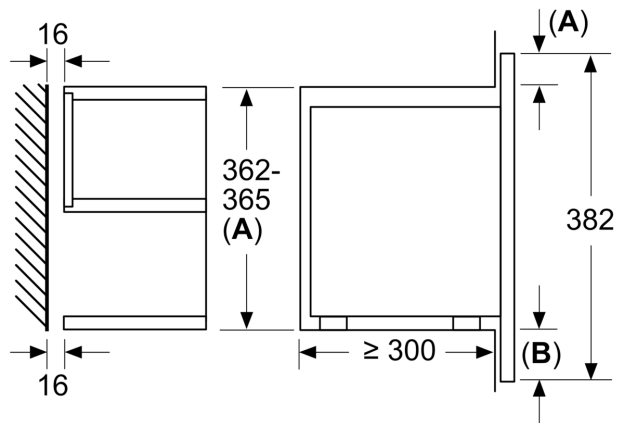
**Series 8, built-in microwave,
Stainless steel
BEL634GS1B**

measurements in mm

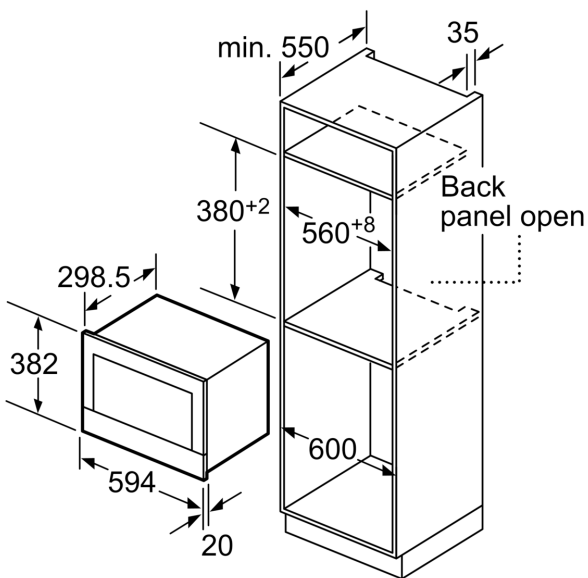


A: Back panel open

measurements in mm



A: Overhang at top:
 Recess 362: 6 mm
 Recess 365: 3 mm
B: Overhang at bottom: 14 mm



measurements in mm