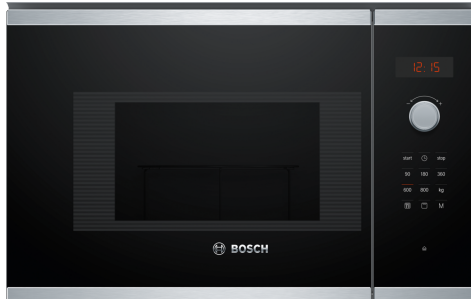


**Series 4, Built-in microwave,
Stainless steel
BEL523MS0B**



Included accessories

1 x grid, 1 x Turntable

Optional accessories

HEZ86D000 Steamer Cooker Accessory for Microwave

**The built-in microwave for the 38 cm
niche: use it for thawing, heating and
perfect preparation of foods.**

- **Red LED display control:** easy-to-use thanks to clear time display.
- **Pop-out controls:** Make the front of the oven easy to clean and give it a sleek look.
- **White LCD display control:** easy-to-use thanks to direct access to additional functions, temperature recommendation and temperature indication.
- **Cleaning Assistance:** less cleaning effort thanks to the new cleaning option, which can be especially used for cleaning of light soiling.
- **LED lighting:** perfect illumination of foods with minimum energy consumption.

Technical Data

Additional function:Grill function
 Type of control:Electronic
 Dimensions: 382 x 594 x 317 mm
 Cavity dimensions: 201.0 x 308.0 x 282.0 mm
 Length electrical supply cord: 130.0 cm
 Net weight: 16.7 kg
 Gross weight: 19.0 kg
 EAN code: 4242005038824
 Max. microwave power level: 800 W
 Connection rating: 1270 W
 Fuse protection: 10 A
 Voltage: 230-240 V
 Frequency: 50 Hz
 Plug type: GB plug
 Included accessories: 1 x grid, 1 x Turntable



4 242005 038824

Series 4, Built-in microwave, Stainless steel BEL523MS0B

The built-in microwave for the 38 cm niche: use it for thawing, heating and perfect preparation of foods.

Design

- LED Display, red display
- Side opening door, left hinged
- 25.5 cm Glass turntable
- Cavity inner surface: stainless steel
- Electronic clock timer
- Rotary dial, Retractable control dials, Touch controls, round, Start button
- Touch key operation

Features

- Automatic safety switch off
- Door contact switch
- AutoPilot, 8
- LED light
- Integral cooling fan
- Microwave and grill for separate use
- Electronic open button

Programmes/functions

- Grill and microwave power levels 90 W, 180 W, 360 W combinable
- Maximum microwave power level: 800 W and the following options: 180 W, 360 W, 600 W, 800 W, 90 W
- 1 KW grill function
- 4 defrost and 3 cooking programmes in microwave function, 1 programmes for combination function
- 1 memory setting
- 1 x Turntable, 1 x grid

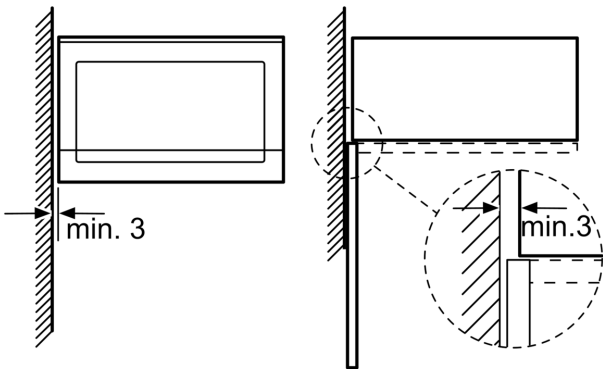
Accessories

Performance/technical information

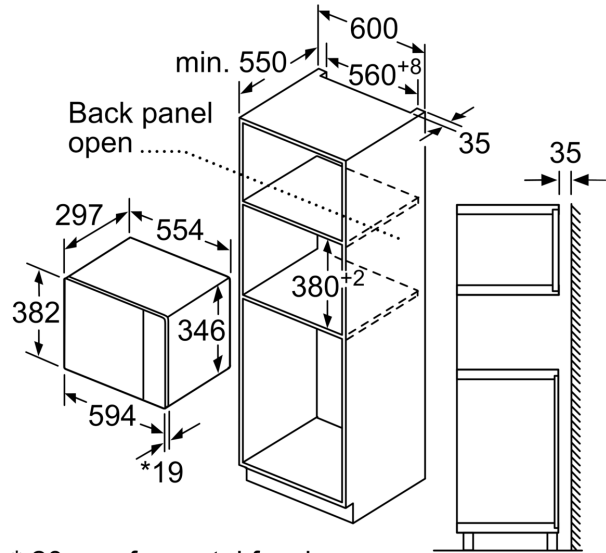
- Cavity volume: 20 l
- 130 cm Cable length
- Total connected load electric: 1.27 KW
- Nominal voltage: 230 - 240 V
- Appliance dimension (hxwxh): 382 mm x 594 mm x 317 mm
- Niche dimension (hxwxh): 362 mm - 365 mm x 560 mm - 568 mm x 300 mm
- For installation into a 60 cm wide wall unit, installation in tall housing
- Please refer to the dimensions provided in the installation manual

**Series 4, Built-in microwave,
Stainless steel
BEL523MS0B**

Microwave,
corner installation



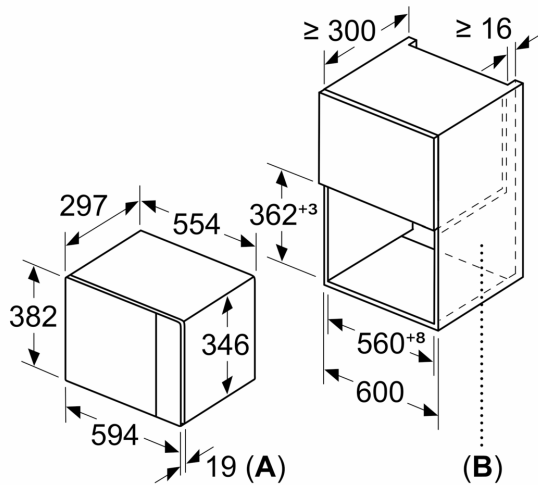
Measurements in mm



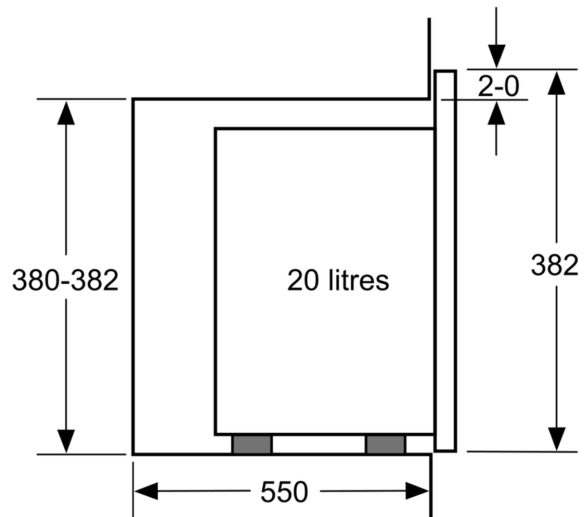
* 20 mm for metal fascia

measurements in mm

Measurements in mm



A: 20 mm for metal fascia
B: Back panel open



measurements in mm

