

## IQ700, Built-in microwave, Stainless steel BE634LGS1B



| Included accessories     |          |
|--------------------------|----------|
| 1 x grid, 1 x Glass tray |          |
| Optional accessories     |          |
| HZ6TCC0                  | Cookbook |

38 cm high built-in microwave for defrosting, reheating or preparation of dishes in the shortest possible time.

- ✓ cookControl10: automatic programs ensure best results.
- ✓ For fast cleaning dirt is softened beforehand by vaporizing soapy water. It can then be removed more easily – humidClean.
- ✓ Foods are evenly browned - grill function.
- ✓ TFT Display: good readability from any perspective.
- ✓ 900 Watts maximum: ideal for heating liquids

### Features

| Technical Data                 |                                |
|--------------------------------|--------------------------------|
| Additional functions:          | .....Grill function            |
| Type of control:               | ..... Electronic               |
| Dimensions:                    | .....382 x 594 x 318 mm        |
| Cavity dimensions:             | ..... 220 x 350 x 270 mm       |
| Length electrical supply cord: | ..... 150.0 cm                 |
| Weight:                        | ..... 18.5 kg                  |
| Gross weight:                  | ..... 20.8 kg                  |
| EAN code:                      | .....4242003676370             |
| Maximum micro-wave power:      | .....900 W                     |
| Connection Rating:             | ..... 1990 W                   |
| Fuse protection:               | .....10 A                      |
| Nominal power:                 | .....220-240 V                 |
| Frequency:                     | .....50; 60 Hz                 |
| Plug type:                     | ..... GB plug                  |
| Included accessories:          | ..... 1 x grid, 1 x Glass tray |



## IQ700, Built-in microwave, Stainless steel BE634LGS1B

### Features

#### Design

- 2.8" TFT Display
- Left hinged door
- Electronic door opening button
- stainless steel, Stainless steel cavity with glass base cavity with Stainless steel cavity with glass base, stainless steel
- Touch control, Push buttons

#### Features

- Intelligent microwave inverter technology: For optimised results maximum output power will be regulated to 600 W when used in longer operation for gentler cooking.
- Start button
- Door contact switch
- Electronic oven clock timer
- cookControl, 10
- LED light
- Integral cooling fan

#### Programmes/functions

- Maximum microwave power level: 900 W and the following options: 180 W, 360 W, 600 W, 90 W, 900 W
- 1.3 KW grill function
- Grill and microwave power levels 90 W, 180 W, 360 W combinable
- Microwave and grill for separate use

#### Accessories

- 1 x Glass tray, 1 x grid

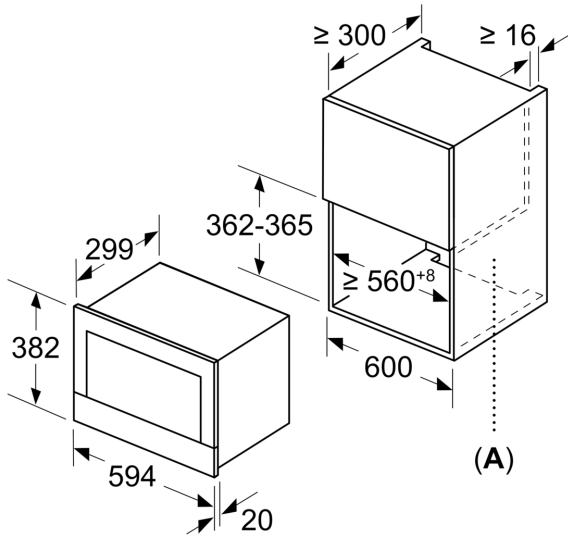
#### Performance/technical information

- Cavity volume: 21 l
- 150 cm Cable Cable length
- Total connected load electric: 1.99 KW
- Nominal voltage: 220 - 240 V
- Appliance dimension (hxwx): 382 mm x 594 mm x 318 mm
- Niche dimension (hxwx): 362 mm - 382 mm x 560 mm - 568 mm x 300 mm
- Please refer to the dimensions provided in the installation manual
- Installation 60 cm wide wall unit, Installation in tall housing

**IQ700, Built-in microwave,  
Stainless steel  
BE634LGS1B**

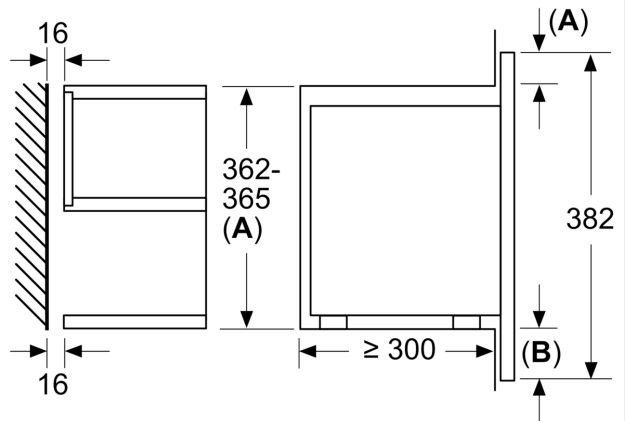
Dimensioned drawings

measurements in mm

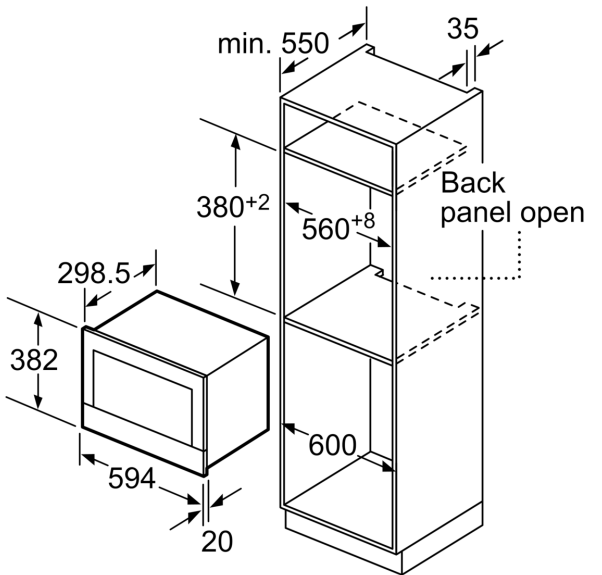


**A:** Back panel open

measurements in mm



- A:** Overhang at top:  
Recess 362: 6 mm  
Recess 365: 3 mm
- B:** Overhang at bottom: 14 mm



measurements in mm