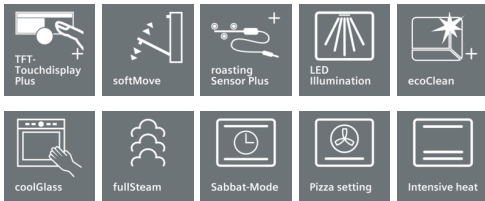


## iQ700, Built-in compact oven with steam function, Stainless steel CS658GRS1B



The compact oven with fullSteam function and sensors for optimum results.

- ✓ pulseSteam: for crispy crusts and juicy roasts.
- ✓ TFT Touchdisplay Plus: optimum readability and intuitive operation.
- ✓ roastingSensor and bakingSensor: detect the exact moment when your food is done.
- ✓ ecoClean Plus: effortless cleaning thanks to a special coating.
- ✓ Energy efficiency class A+: For more efficient roasting and baking.

### Features

#### Technical data

Color / Material Front : Stainless steel  
 Built-in / Free-standing : Built-in  
 Door opening : Drop down  
 Required niche size for installation (HxWxD) : 450-455 x 560-568 x 550  
 Dimensions of the product (mm) : 455 x 594 x 548  
 Dimensions of the packed product (HxWxD) (mm) : 530 x 660 x 690  
 Control Panel Material : Stainless steel  
 Door Material : Glass  
 Net weight (kg) : 36.033  
 Approval certificates : CE, VDE  
 Length electrical supply cord (cm) : 150  
 Cooking method : , 4D hot air, Bottom heat, Conventional heat, Deep-frozen food special, Defrost, Dehydrate, fermentation, Full width grill, Half width grill, Hot Air-Eco, Hot air grilling, Intensive heat, low temperature cooking, Pizza setting, pre-heating, Regeneration, Steam 100%, warming  
 Time-setting Options : Start and Stop  
 Current (A) : 16  
 Voltage (V) : 220-240  
 Frequency (Hz) : 60; 50  
 Plug type : no plug  
 Approval certificates : CE, VDE  
 Color / Material Front : Stainless steel  
 Energy input : Electric  
 Current (A) : 16  
 Voltage (V) : 220-240  
 Frequency (Hz) : 60; 50  
 Approval certificates : CE, VDE  
 Plug type : no plug  
 Net weight (lbs) : 79.000  
 Gross weight (lbs) : 84

#### Included accessories

1 x steam container, punched, size S, 1 x steam container, punched, size XL, 1 x steam container, unpunched, size S, 1 x grid, 1 x universal pan

#### Optional accessories

HZ636000 Glass pan  
 HZ625071 Grill tray, anthracite enamelled  
 HZ617000 Pizza pan, anthracite enamelled



## iQ700, Built-in compact oven with steam function, Stainless steel CS658GRS1B

### Features

#### Programmes/ Additional Features:

- Compact steam oven with 15 heating methods:
- 4D hot air, Hot Air-Eco, Top/bottom heat, Conventional heat ECO, Hot air grilling, Radiant grill large area, Radiant grill small area, Pizza setting, Deep-frozen food special, Bottom heat, Intensive heat, Slow cooking, Plate warming setting, Dehydrate, Hold warm setting
- Additional heating methods with steam: Steam, Reheat, Prove, Defrost
- Temperature range 30 °C - 250 °C
- Cavity volume: 47 l

#### Design:

- Electronic retractable rotary knob
- Cavity inner surface: Enamel anthracite

#### Key Features:

- Ecolyse features: back panel, ceiling, side liners
- ecolyse program
- Full glass inner door

#### Design:

- TFT
- Temperature proposal
- Actual temperature display
- heating-up control
- Sabbath setting
- Additional functions:
- Descaling programme
- autom. boiling point detection
- Drying function
- bottom, softClose door, soft opening
- Supporting systems: Dish categories
- multipoint temperature probe
- baking sensor
- Digital electronic clock with on/off and alarm functions
- Rapid heating-up
- LED light, Independent oven interior light button
- Water tank capacity 1 l
- Integrated water reservoir that does not require direct water connection
- 455 mm x 595 mm x 548 mm
- Integral cooling fan
- Stainless-steel fan
- Info button
- Bar handle

#### Hook-in racks / rails

- Cavity with shelf support rails, Integrated one level telescopic rail, 3 level telescopic shelf rails full extension, Detend function

#### Appliance Dimensions (H x W x D):

- 1 x grid, 1 x Steam container, punched, size XL, 1 x Steam container, punched, size S, 1 x Steam container, unpunched, size S, 1 x universal pan

#### Environment and Safety:

- Triple glass cool touch door (40° C door temperaure)
- Childproof lock
- Automatic safety switch off

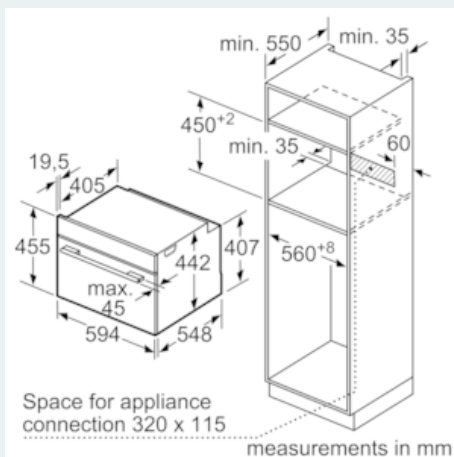
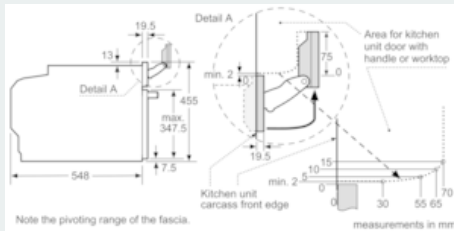
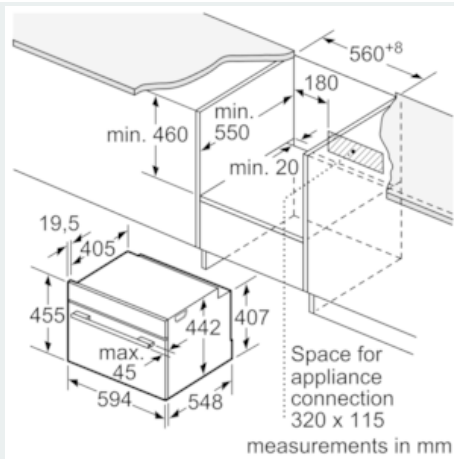
- Residual heat indicator
- start button
- Door contact switch

#### Technical Info:

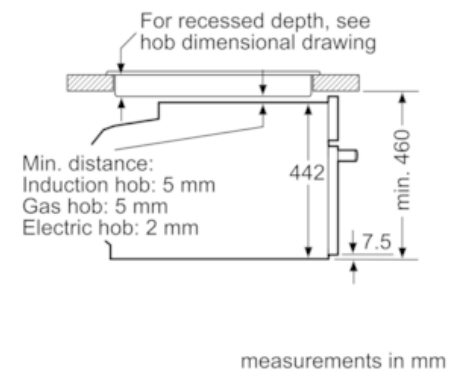
- Length of mains cable: 120 cm
- Total connected load electric: 3.45 KW
- Appliance dimension (hxwxh): 455 mm x 595 mm x 548 mm
- Niche dimension (hxwxh): 560 mm - 568 mm x 450 mm - 455 mm x 550 mm
- "Please reference the built-in dimensions provided in the installation drawing"
- Energy efficiency rating (acc. EU Nr. 65/2014):
- Energy consumption per cycle in conventional mode: 0.73 kwh
- Energy consumption per cycle in fan-forced convection mode: 0.61 kwh
- Number of cavities: 1
- Heat source: electrical
- Cavity volume: 47 l

## iQ700, Built-in compact oven with steam function, Stainless steel CS658GRS1B

### Dimensioned drawings



### Installation with a hob.



If the compact appliance will be installed underneath a hob, the following worktop thicknesses (including substructure if necessary) must be taken into account.

Hob type	min. worktop thickness	
	fitted	flush
Induction hob	42 mm	43 mm
Full surface Induction hob	52 mm	53 mm
Gas hob	32 mm	43 mm
Electric hob	32 mm	35 mm