

**Series 4, Condenser tumble dryer, 8 kg
WTN83202GB**



Our condensation dryer offers Crease-resistant drying and is especially gentle to your laundry. Surprisingly quiet at the same time.

- **Auto Dry:** automatically dries to the exact level of dryness you want.
- **Fast drying:** dries a full load considerably fast.
- **Sensitive Drying System:** for gentle drying without creases.
- **Allergy Plus:** designed with allergies and sensitive skin in mind.
- **SensitiveDrying System:** the unique drum structure protects and delivers a drying performance without creases.

Built-in / Free-standing:	Freestanding
Removable top:	No
Door hinge:	Right
Length electrical supply cord:	179.5 cm
Dimensions:	842x598x613 mm
Net weight:	39.0 kg
EAN code:	4242005388707
Connection rating:	2800 W
Fuse protection:	13 A
Voltage:	220-240 V
Frequency:	50 Hz
Loading capacity:	8.0 kg
Energy efficiency rating:	B
Energy consumption electric dryer, full load - NEW (2010/30/EC):	4.71 kWh
Standard cotton programme time at full load:	150 min
Energy consumption electric dryer, partial load - NEW (2010/30/EC):	2.56 kWh
Standard cotton programme time at partial load:	83 min
Weighted annual energy consumption, electric dryer - NEW (2010/30/EC):	560.0 kWh/annum
Weighted programme time:	112 min
Average condensation efficiency full load (%):	88 %
Average condensation efficiency partial load (%):	88 %
Weighted condensation efficiency (%):	88 %

- WMZ20600 Wool in basket - accessory
- WTZ1110 Condenser drainage kit
- WTZ11400 Stacking kit with pull-out shelf
- WTZ20410 Stacking kit
- WTZPW20D Platform with pull-out, dryer, cubic



Series 4, Condenser tumble dryer, 8 kg WTN83202GB

Our condensation dryer offers Crease-resistant drying and is especially gentle to your laundry. Surprisingly quiet at the same time.

Performance

- Energy Efficiency Class¹: B
- Energy²: 560 kWh
- Capacity: 1 - 8 kg
- Programme time³: 150 min
- Noise level: 64 dB (A) re 1 pW
- Condensation efficiency class⁴: B
- Condensation efficiency⁵: 88 %
- Sensor drying

Programmes/functions

- Standard programmes: cotton, easy care
- Special programmes: Woollens, Mixed Load, Timed programme warm, Timed programme cold, Allergy +, Sportswear, Super Quick 40, Shirts 15, Delicates

Key features

- Anti crease cycle 120 min at the end of the programme
- Touch control buttons: Low heat, Reduced ironing, Drying length, fine-tuning for drying level, 24 h end Time Delay, Reduced ironing, fine-tuning for drying level, Low heat, Drying length, end Time Delay, Start / Reload / Pause

Additional features

- Fully electronic control dial for sensor programmes and timed programmes
- Fully electronic control dial for sensor drying, including timed and special programmes
- LED Display for remaining time and 24 hours time delay, programme status indication, special functions
- Sensitive drying: large stainless steel drum with textile care and revolution drying system
- No
- AntiVibration design: for greater stability and quietness
- no
- Container for condensed water
- Child lock
- Buzzer to indicate the end of cycle
- P-door Plastic, white
- pull-open latch
- Metal door catch
- Door hinge: right-hand

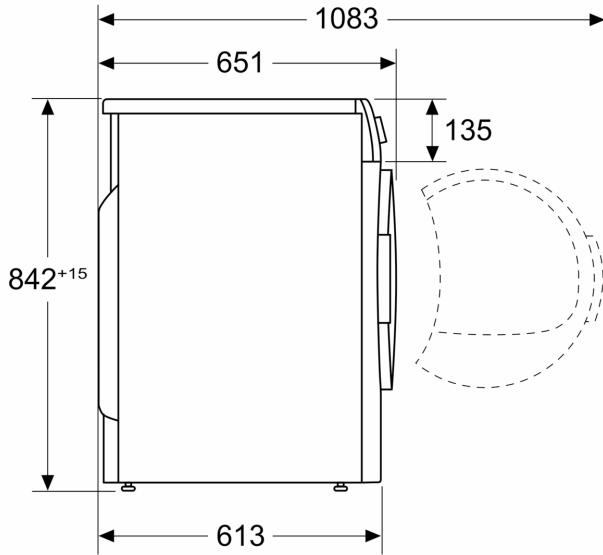
Technical Information

- slide-under installation
- Dimensions (H x W): 84.2 cm x 59.8 cm
- Appliance depth: 61.3 cm
- Appliance depth incl. door: 65.1 cm
- Appliance depth with open door: 108.3 cm

- ¹ At a range of energy efficiency classes from A+++ to D
- ² Energy consumption kWh per year, based on 160 drying cycles of the standard cotton programme at full and partial load, and the consumption of the low power modes
- ³ Programme time of the standard cotton programme at full load
- ⁴ On a condensation efficiency class scale from A to G
- ⁵ Weighted condensation efficiency for the standard cotton programme at full and partial load

**Series 4, Condenser tumble dryer, 8
kg
WTN83202GB**

Measurements in mm



Measurements in mm

