

**Series 4, Heat pump tumble dryer, 8 kg
WTH85225GB**



- WMZ20600 Wool in basket - accessory
- WTZ11400 Stacking kit with pull-out shelf
- WTZ20410 Stacking kit
- WTZPW20D Platform with pull-out, dryer, cubic

**The dryer for especially efficient drying:
energy efficiency class A++.**

- **Auto Dry:** Automatically senses when your load is dried.
- **Easy Clean with A++:** efficient drying. Easy-to-clean condenser filter.
- **Anti-Vibration Design:** extremely stable vibration protection ensures a smooth operation.
- **A dryer that respects the environment, thanks to the cooling agent.**
- **LED Display with touch button:** delay the start or end time of your drying cycle by up to 24 hours.

Built-in / Free-standing:	Freestanding
Removable top:	No
Door hinge:	Right
Length electrical supply cord:	179.5 cm
Dimensions:	842x598x613 mm
Net weight:	48.6 kg
Fluorinated greenhouse gases:	No
Hermetically sealed equipment:	Yes
EAN code:	4242005470532
Connection rating:	600 W
Fuse protection:	10 A
Voltage:	220-240 V
Frequency:	50 Hz
Loading capacity:	8.0 kg
Energy efficiency rating:	A++
Energy consumption electric dryer, full load - NEW (2010/30/EC):	1.87 kWh
Standard cotton programme time at full load:	205 min
Energy consumption electric dryer, partial load - NEW (2010/30/EC):	1.14 kWh
Standard cotton programme time at partial load:	130 min
Weighted annual energy consumption, electric dryer - NEW (2010/30/EC):	235.0 kWh/annum
Weighted programme time:	162 min
Average condensation efficiency full load (%):	83 %
Average condensation efficiency partial load (%):	83 %
Weighted condensation efficiency (%):	83 %



Series 4, Heat pump tumble dryer, 8 kg WTH85225GB

The dryer for especially efficient drying: energy efficiency class A++.

Performance

- Energy Efficiency Class¹: A++
- Energy²: 235 kWh
- Capacity: 1 - 8 kg
- Programme time³: 205 min
- Noise level: 65 dB (A) re 1 pW
- Condensation efficiency class⁴: B
- Condensation efficiency⁵: 83 %

Programmes/functions

- Standard programmes: cotton, easy care
- Special programmes: Woollens, Mixed Load, Towels, Timed programme warm, Timed programme cold, Sportswear, Delicates, Super Quick 40, Shirts/blouses

Key features

- Touch control buttons: Low heat, Reduced ironing, Drying length, fine-tuning for drying level, 24 h, end Time Delay

Additional features

- EasyClean filter
- Fully electronic control dial for sensor programmes and timed programmes
- Fully electronic control dial for sensor drying, including timed and special programmes
- LED Display for remaining time and 24 hours time delay, programme status indication, special functions
- Sensitive drying: large stainless steel drum with textile care and revolution drying system
- AntiVibration design: for greater stability and quietness
- No
- Container for condensed water
- Full container tank indicator
- Warning for fluff filter and condensed water container
- no
- Child lock
- Anti-crease cycle at the end of the programme
- Buzzer to indicate the end of cycle
- pull-open latch
- Door hinge: right-hand
- Metal door catch

Technical Information

- slide-under installation
- Dimensions (H x W): 84.2 cm x 59.8 cm
- Appliance depth: 61.3 cm
- Appliance depth incl. door: 64.8 cm
- Appliance depth with open door: 109.6 cm
- Heat pump technology with climate friendly cooling agent

² Energy consumption kWh per year, based on 160 drying cycles of the standard cotton programme at full and partial load, and the consumption of the low power modes

³ Programme time of the standard cotton programme at full load

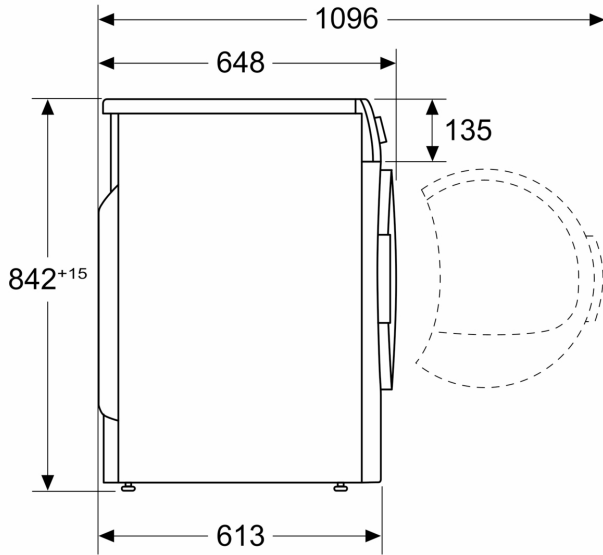
⁴ On a condensation efficiency class scale from A to G

⁵ Weighted condensation efficiency for the standard cotton programme at full and partial load

¹ At a range of energy efficiency classes from A+++ to D

**Series 4, Heat pump tumble dryer, 8
kg
WTH85225GB**

Measurements in mm



Measurements in mm

