

**iQ300, Condenser tumble dryer, 8 kg  
WT45N203GB**



**Optional accessories**

- WZ11410 Stacking kit
- WZ20400 Stacking kit with pull-out shelf
- WZ20600 Wool in basket - accessory
- WZDP20D Platform with pull-out, dryer, cubic

iSensoric condenser dryer with sensor-controlled autoDry technology and softDry drum for optimal textile care.

- ✓ autoDry – gentle and precise drying that protects your clothes.
- ✓ speedPack – Save time with our fast and highly efficient dryers.
- ✓ Outdoor programme – dry your waterproof and outdoor clothing safely.
- ✓ easyClean filter: easy to keep clean
- ✓ rapid40: carefully and quickly dries small loads.

**Features**

**Technical Data**

Built-in / Free-standing: ..... Freestanding  
 Removable top: ..... No  
 Door opening: ..... Right  
 Length electrical supply cord: ..... 179.5 cm  
 Dimensions: ..... 842 x 598 x 613 mm  
 Weight: ..... 41.6 kg  
 EAN code: ..... 4242003929056  
 Connection Rating: ..... 2800 W  
 Fuse protection: ..... 13 A  
 Nominal power: ..... 220-240 V  
 Frequency: ..... 50 Hz  
 Capacity: ..... 8.0 kg  
 Energy efficiency rating: ..... B  
 Energy consumption electric dryer, full load - NEW (2010/30/EC):  
 4.71 kWh  
 Standard cotton programme time at full load: ..... 150 min  
 Energy consumption electric dryer, partial load - NEW (2010/30/EC):  
 ..... 2.56 kWh  
 Standard cotton programme time at partial load: ..... 83 min  
 Weighted annual energy consumption, electric dryer - NEW  
 (2010/30/EC): ..... 560.0 kWh/annum  
 Weighted programme time: ..... 112 min  
 Average condensation efficiency full load (%): ..... 88 %  
 Average condensation efficiency partial load (%): ..... 88 %  
 Weighted condensation efficiency (%): ..... 88 %



## iQ300, Condenser tumble dryer, 8 kg WT45N203GB

### Features

#### Performance

- Energy Efficiency Class<sup>1</sup>: B
- Energy<sup>2</sup>: 560 kWh
- Capacity: 1 - 8 kg
- Programme time<sup>3</sup>: 150 min
- Noise level: 64 dB (A) re 1 pW
- Condensation efficiency class<sup>4</sup>: B
- Condensation efficiency<sup>5</sup>: 88 %
- Electronic Humidity Control

#### Programmes/functions

- Standard programmes: cotton, easy care
- Special programmes: Woollens Finish, mixed fabrics, outdoor, timed programme warm, timed programme cold, hygiene, lingerie, rapid 40, shirts 15

#### Key features

- Anti crease cycle 120 min at the end of the programme
- Touch control buttons: low heat, less ironing, programme length, fine-tuning for drying level, 24 h end time delay, less ironing, fine-tuning for drying level, low heat, programme length, end time delay, Start / Reload / Pause

#### Additional features

- Fully electronic control dial for sensor and timed programmes
- Fully electronic control dial for sensor drying, including timed and special programmes
- LED Display for remaining time and 24 hours time delay, programme status indication, special functions
- Sensitive drying: large softDry stainless steel drum system and revolution drying system
- No
- AntiVibration design: for greater stability and quietness
- Drum interior light
- Container for condensed water
- Child lock
- End of cycle buzzer
- Glass door,, black-black
- pull-open latch
- Metal door catch
- Door hinge: right-hand

#### Technical Information

- Slide-under installation
- Dimensions (H x W): 84.2 cm x 59.8 cm
- Appliance depth: 61.3 cm
- Appliance depth incl. door: 65.1 cm
- Appliance depth with open door: 110.5 cm

<sup>1</sup> At a range of energy efficiency classes from A+++ to D

<sup>2</sup> Energy consumption kWh per year, based on 160 drying cycles of the standard cotton programme at full and partial load, and the consumption of the low power modes

<sup>3</sup> Programme time of the standard cotton programme at full load

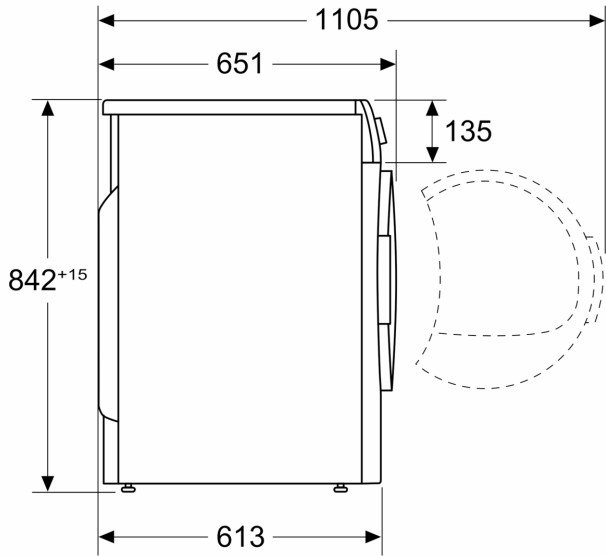
<sup>4</sup> On a condensation efficiency class scale from A to G

<sup>5</sup> Weighted condensation efficiency for the standard cotton programme at full and partial load

iQ300, Condenser tumble dryer, 8 kg  
WT45N203GB

Dimensioned drawings

Measurements in mm



Measurements in mm

