

Series 6, Heat pump tumble dryer, 9 kg, White WQG24509GB



The heat pump dryer with A++ and Self-Cleaning condenser saves energy and its AutoDry sensor knows when your load is ready, protecting your garments.

- **A++ rated:** Discover our highly efficient dryer
- **Self-Cleaning Condenser:** Automatic fluff-cleaning condenser.
- **Anti Vibration sidewall:** extremely stable and quiet thanks to special vibration protection.
- **Auto Dry:** Automatically senses when your load is dried.
- **Half Load option:** optimises the drying settings (load and duration) for small loads.

Built-in / Free-standing:	Freestanding
Removable top:	No
Door hinge:	Right
Length electrical supply cord:	179.5 cm
Dimensions:	842x598x613 mm
Net weight:	53.2 kg
Fluorinated greenhouse gases:	No
Hermetically sealed equipment:	Yes
The quantity expressed in CO2 equivalent:	0.000 t
EAN code:	4242005317769
Connection rating:	800 W
Fuse protection:	10 A
Voltage:	220-240 V
Frequency:	50 Hz
Loading capacity:	9.0 kg
Energy efficiency rating:	A++
Energy consumption electric dryer, full load - NEW (2010/30/EC):	2.05 kWh
Standard cotton programme time at full load:	176 min
Energy consumption electric dryer, partial load - NEW (2010/30/EC):	1.25 kWh
Standard cotton programme time at partial load:	121 min
Weighted annual energy consumption, electric dryer - NEW (2010/30/EC):	258.0 kWh/annum
Weighted programme time:	145 min
Average condensation efficiency full load (%):	86 %
Average condensation efficiency partial load (%):	86 %
Weighted condensation efficiency (%):	86 %

- WTZPW20D Platform with pull-out, dryer, cubic
- WMZ20600 Wool in basket - accessory
- WTZ27400 Stacking kit with pull-out shelf
- WTZ27410 Stacking kit



Series 6, Heat pump tumble dryer, 9 kg, White WQG24509GB

The heat pump dryer with A++ and SelfCleaning condenser saves energy and its AutoDry sensor knows when your load is ready, protecting your garments.

Performance

- Energy Efficiency Class¹: A++
- Energy²: 258 kWh
- Capacity: 1 - 9 kg
- Programme time³: 176 min
- Noise level: 64 dB (A) re 1 pW
- Condensation efficiency class⁴: B
- Condensation efficiency⁵: 86 %

Programmes/functions

- Touch control buttons: Iron dry, Cupboard dry, Cupboard dry+, end Time Delay, Reduced ironing, Low heat, Buzzer, Start / Reload / Pause, 24 h end Time Delay
- Standard programmes: cotton, easy care
- Special programmes: Cottons, Shirts/blouses, Cotton Eco, Down, Delicates, Towels, Mixed Load, Super Quick 40, Sportswear, Duvet, Easy-Care, Woollens, Timed programme warm

Key features

- Anti crease cycle 120 min at the end of the programme
- Fully electronic control dial for sensor programmes and timed programmes
- Half Load option: optimises drying for smaller loads
- Sensitive drying: large stainless steel drum with textile care and revolution drying system
- AntiVibration design: for greater stability and quietness

Additional features

- Large LED display for remaining time and 24 hours time delay, programme progress indication and special functions
- Load recommendation
- Soft dial
- Heat pump technology with climate friendly cooling agent
- Drum interior light
- Container for condensed water
- Door hinge: right-hand
- Metal door catch
- Child lock
- Buzzer to indicate the end of cycle
- Usage meter: counts completed programmes

Technical Information

- slide-under installation
- Dimensions (H x W): 84.2 cm x 59.8 cm
- Appliance depth: 61.3 cm
- Appliance depth incl. door: 64.8 cm
- Appliance depth with open door: 109.6 cm

¹ At a range of energy efficiency classes from A+++ to D

² Energy consumption kWh per year, based on 160 drying cycles of the standard cotton programme at full and partial load, and the consumption of the low power modes

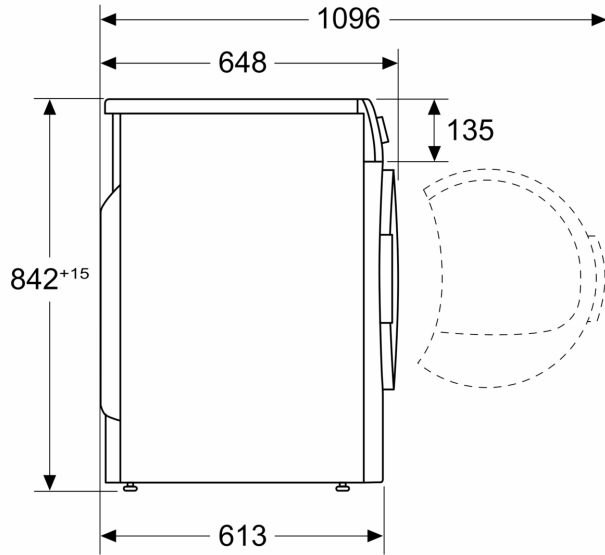
³ Programme time of the standard cotton programme at full load

⁴ On a condensation efficiency class scale from A to G

⁵ Weighted condensation efficiency for the standard cotton programme at full and partial load

**Series 6, Heat pump tumble dryer, 9
kg, White
WQG24509GB**

Measurements in mm



Measurements in mm

