

iQ700, Heat pump tumble dryer, 9 kg, Silver inox WQ46B2CXGB



A+++



WZ20600	Wool in basket - accessory
WZ2750X	Stacking kit with pull-out shelf
WZ2751X	Stacking kit
WZDP20D	Platform with pull-out, dryer, cubic

The intelligent dryer for fast and gentle drying with resource saving A+++ -10%*, varioSpeed, smartFinish and intelligentDry powered by Home Connect.

- ✓ autoDry – gentle and precise drying that protects your clothes.
- ✓ selfCleaning condenser: removes fluff to save you time and effort.
- ✓ intelligentDry: automatically adapts the drying cycle to match the washing programme.
- ✓ smartFinish – smooth away creases to cut down on ironing.
- ✓ Reversible drum – prevents large laundry pieces from tangling by alternating the drum rotation.

Built-in / Free-standing:	Freestanding
Removable top:	No
Door opening:	Right reversible
Length electrical supply cord:	180.0 cm
Dimensions:	842 x 598 x 613 mm
Weight:	56.4 kg
Fluorinated greenhouse gases:	No
Type of refrigerant:	R290
Hermetically sealed equipment:	Yes
EAN code:	4242003928479
Connection Rating:	600 W
Fuse protection:	10 A
Nominal power:	220-240 V
Frequency:	50 Hz
Capacity:	9.0 kg
Energy efficiency rating:	A+++
Energy consumption electric dryer, full load - NEW (2010/30/EC):	1.44 kWh
Standard cotton programme time at full load:	260 min
Energy consumption electric dryer, partial load - NEW (2010/30/EC):	0.80 kWh
Standard cotton programme time at partial load:	156 min
Weighted annual energy consumption, electric dryer - NEW (2010/30/EC):	174.0 kWh/annum
Weighted programme time:	201 min
Average condensation efficiency full load (%):	91 %
Average condensation efficiency partial load (%):	91 %
Weighted condensation efficiency (%):	91 %



iQ700, Heat pump tumble dryer, 9 kg, Silver inox WQ46B2CXGB

Performance

- Energy Efficiency Class¹: A+++
- 10% more efficient than energy efficiency class A+++***
- Energy²: 174 kWh
- Capacity: 1 - 9 kg
- Programme time³: 260 min
- Noise level: 58 dB (A) re 1 pW
- Condensation efficiency class⁴: A
- Condensation efficiency⁵: 91 %

Programmes/functions

- Standard programmes: cotton, easy care
- Special programmes: cotton, shirts, Cotton Eco, towels, mixed fabrics, outdoor, rapid 40, easy-care, wool drying in basket, timed programme warm

Key features

- Half Load option: optimises drying for smaller loads
- Anti crease cycle 120 min at the end of the programme
- Touch control buttons: Iron dry, Cupboard dry, Cupboard dry+, end time delay, less ironing, myFavorite, Power button, remote start, low heat, Start / Reload / Pause, speedPerfect, 24 h end time delay

Additional features

- SC1R
- Load recommendation
- Fully electronic control dial for sensor and timed programmes
- Jog dial with integrated on/off control
- Sensitive drying: large softDry stainless steel drum system and revolution drying system
- AntiVibration design: for greater stability and quietness
- Wool drying basket
- Drum interior light
- Container for condensed water
- Child lock
- End of cycle buzzer
- Usage meter: counts completed programmes
- Door hinge: right-hand, reversible
- Metal door catch
- Slide-under installation
- Dimensions (H x W): 84.2 cm x 59.8 cm
- Appliance depth: 61.3 cm
- Appliance depth incl. door: 66.5 cm
- Appliance depth with open door: 110.5 cm
- Heat pump technology with climate friendly cooling agent

¹ At a range of energy efficiency classes from A+++ to D

³ Programme time of the standard cotton programme at full load

⁴ On a condensation efficiency class scale from A to G

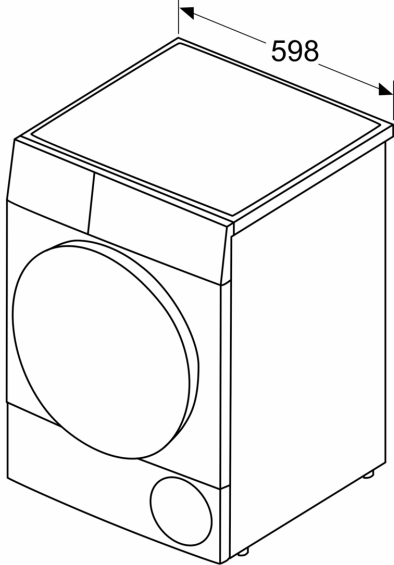
⁵ Weighted condensation efficiency for the standard cotton

programme at full and partial load

*** 10% more efficient (174 kWh/year) than the limit value (194kWh/year) of the energy efficiency class A+++ in category 9kg according to delegated EU-Regulation 392/2012

**iQ700, Heat pump tumble dryer, 9 kg, Silver inox
WQ46B2CXGB**

Measurements in mm



Measurements in mm

