

iQ500, Heat pump tumble dryer, 9 kg WQ45G2D9GB



A++



Outstanding laundry performance with A++, selfCleaning condenser and autoDry for gentle and even drying of your garments.

- ✓ selfCleaning condenser: removes fluff to save you time and effort.
- ✓ Energy Efficiency Class A++ – dries very efficiently
- ✓ Half load: optimises the cycle for smaller loads.
- ✓ speedPack – Save time with our fast and highly efficient dryers.
- ✓ autoDry – gentle and precise drying that protects your clothes.

Features

Technical Data

Built-in / Free-standing: Freestanding
 Removable top: No
 Door opening: Right
 Length electrical supply cord: 179.5 cm
 Dimensions: 842 x 598 x 613 mm
 Weight: 53.8 kg
 Fluorinated greenhouse gases: No
 Type of refrigerant: R290
 Hermetically sealed equipment: Yes
 The quantity expressed in CO2 equivalent: 0.000 t
 EAN code: 4242003912140
 Connection Rating: 800 W
 Fuse protection: 10 A
 Nominal power: 220-240 V
 Frequency: 50 Hz
 Capacity: 9.0 kg
 Energy efficiency rating: A++
 Energy consumption electric dryer, full load - NEW (2010/30/EC):
 2.05 kWh
 Standard cotton programme time at full load: 176 min
 Energy consumption electric dryer, partial load - NEW (2010/30/EC):
 1.25 kWh
 Standard cotton programme time at partial load: 121 min
 Weighted annual energy consumption, electric dryer - NEW
 (2010/30/EC): 258.0 kWh/annum
 Weighted programme time: 145 min
 Average condensation efficiency full load (%): 86 %
 Average condensation efficiency partial load (%): 86 %
 Weighted condensation efficiency (%): 86 %

Optional accessories

WZ20600	Wool in basket - accessory
WZ27400	Stacking kit with pull-out shelf
WZ27410	Stacking kit
WZDP20D	Platform with pull-out, dryer, cubic



iQ500, Heat pump tumble dryer, 9 kg WQ45G2D9GB

Features

- Extraklasse on panel

Performance

- Energy Efficiency Class¹: A++
- Energy²: 258 kWh
- Capacity: 1 - 9 kg
- Programme time³: 176 min
- Noise level: 64 dB (A) re 1 pW
- Condensation efficiency class⁴: B
- Condensation efficiency⁵: 86 %

Programmes/functions

- Touch control buttons: Iron dry, Cupboard dry, Cupboard dry+, end time delay, less ironing, low heat, buzzer, Start / Reload / Pause, 24 h end time delay
- Standard programmes: cotton, easy care
- Special programmes: cotton, shirts, Cotton Eco, lingerie, towels, pillows, mixed fabrics, outdoor, rapid 40, blankets, easy-care, wool drying in basket, timed programme warm

Key features

- Anti crease cycle 120 min at the end of the programme
- Fully electronic control dial for sensor and timed programmes
- Half Load option: optimises drying for smaller loads
- Sensitive drying: large softDry stainless steel drum system and revolution drying system
- AntiVibration design: for greater stability and quietness

Additional features

- Large LED display for remaining time and 24 hours time delay, programme progress indication and special functions
- NewValue door with cover glass, Alu-Look, white
- Speed
- Load recommendation
- soft dial
- Heat pump technology with climate friendly cooling agent
- Drum interior light
- Container for condensed water
- Wool drying basket
- Door hinge: right-hand
- Metal door catch
- Child lock
- End of cycle buzzer

Technical Information

- Slide-under installation
- Dimensions (H x W): 84.2 cm x 59.8 cm
- Appliance depth: 61.3 cm
- Appliance depth incl. door: 64.8 cm
- Appliance depth with open door: 109.6 cm

¹ At a range of energy efficiency classes from A+++ to D

² Energy consumption kWh per year, based on 160 drying cycles of the standard cotton programme at full and partial load, and the consumption of the low power modes

³ Programme time of the standard cotton programme at full load

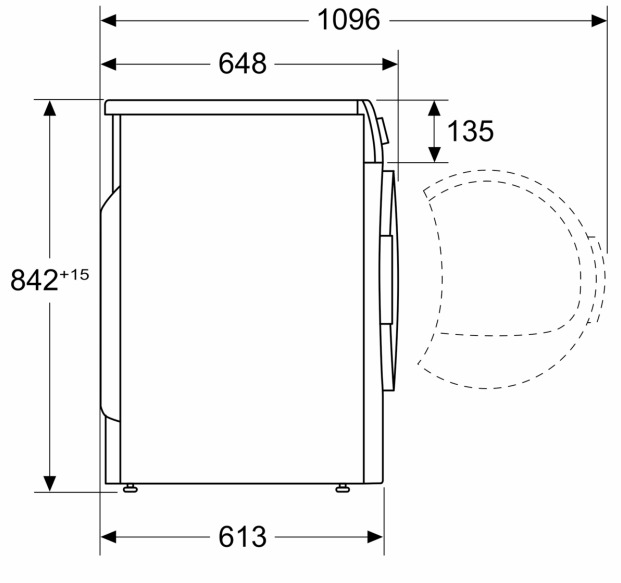
⁴ On a condensation efficiency class scale from A to G

⁵ Weighted condensation efficiency for the standard cotton programme at full and partial load

iQ500, Heat pump tumble dryer, 9 kg
WQ45G2D9GB

Dimensioned drawings

Measurements in mm



Measurements in mm

