

**iQ500, Washer dryer, 9/6 kg, 1400 rpm  
WN44G290GB**



smartFinish washer-dryer with speedPack saves time and reduces ironing effort.

- ✓ speedPack L: speed up your programmes. Or wash and dry in just 60 minutes.
- ✓ smartFinish: smooth away creases to cut down on ironing.
- ✓ Outdoor/waterproofing programme – Protects your waterproof textiles.
- ✓ Wash & Dry 45/60: fast, efficient washing and drying in 45 or 60 minutes.

### Features

#### Technical Data

Energy Efficiency Class Wash/Dry cycle(Regulation): ..... E  
 Energy Efficiency Class Eco 40-60 programme (Regulation): C  
 Weighted energy consumption in kWh per 100 full Wash/Dry cycles: .....372 kWh  
 Weighted energy consumption in kWh per 100 washing cycles of eco 40-60 programme: .....64 kWh  
 Maximum capacity in kg in a Wash/Dry cycle: ..... 6.0  
 Maximum capacity in kg in a wash cycle: .....9.0  
 The water consumption of the full wash and dry cycle in liters per cycle: ..... 84 l  
 The water consumption of the eco programme in liters per cycle: 41 l  
 Duration of the full wash and dry cycle in hours and mins at rated capacity: ..... 7:45 h  
 Duration of eco 40-60 programme in hours and mins at rated capacity: ..... 3:45 h  
 Spin-drying efficiency class of eco 40-60 programme: ..... B  
 Airborne acoustical noise emissions : ..... 69 dB(A) re 1 pW  
 Airborne acoustical noise emission class: .....A  
 Built-in / Free-standing: ..... Freestanding  
 Removable top: ..... No  
 Door opening: .....Left  
 Length electrical supply cord: ..... 210.0 cm  
 Dimensions of the product: ..... 848 x 598 x 590 mm  
 Weight: ..... 81.3 kg  
 Drum volume: ..... 65 l  
 EAN code: .....4242003867822



### Optional accessories

WX975600	Floor securing component
WZ10131	Extension for cold water inlet /Aquastop
WZWP20W	Platform with pull-out, washer, cubic

## iQ500, Washer dryer, 9/6 kg, 1400 rpm WN44G290GB

### Features

#### Performance

- Energy Efficiency Class Wash and Dry<sup>1</sup>: E
- Energy Efficiency Class Washing<sup>2</sup>: C
- Energy<sup>3</sup> / Water<sup>4</sup> Wash and Dry: 372 kWh / 84 litres
- Energy<sup>5</sup> / Water<sup>6</sup> Washing: 64 kWh / 41 litres
- Load capacity Wash and Dry / Washing: 1 - 6 kg / 1 - 9 kg
- Programme duration<sup>7</sup> Wash and Dry / Washing: 7:45 h:min / 3:45 h:min
- Spin drying efficiency class: EU19\_spin efficiency class: B
- Spin speed<sup>\*\*</sup>: 400 - 1400 rpm
- Noise level: 69 dB (A) re 1 pW
- Noise efficiency class: A

#### Programmes/functions

- Standard programmes for washing: cottons, easy-care, delicates/silk, wool/handwash
- Special programmes washing: rapid 15 minute quick wash, mixed fabrics, textile guard re-proofing programme, drain / spin, single rinse
- Most common washing programmes can be used as solo-drying programme or as washing and drying in one go programme
- Options washing: less ironing, Spin speed selection, auto stain (16 options), Start / Pause, Temperature selection, prewash
- Standard programmes for drying: cottons, easy-care
- Special programmes drying: Refresh, Intensive dry, Wool, Low heat drying, Wash & Dry 60'
- Drying options for most wash programmes
- autoDry function, and time selection options
- Options drying: Drying aim

#### Key features

- Automatic Stain removal - 4 stain removal options at the touch of a button
- varioSpeed: Up to 65% reduced washing cycle \*\*\*
- iQ Drive: innovative motor technology delivering energy efficiency, speed and durability
- antiVibration Design - for more stability and quietness
- Sound insulation by additional noise reduction material
- Reload Function: Stop the washing machine to add any forgotten items of laundry to the drum.

#### Additional features

- Large LED-Display for programme status indication, max. spin speed, remaining time and 24 h end time delay and load recommendation
- waveDrum: for highly effective and extremely gentle laundry care
- drum interior light
- Foam detection system
- Electronic child safety package
- Out of balance load adjustment
- Detergent dispensing: easy clean
- No

- Acoustic signals: Buzzer
- Aqua Protection
- Maintenance free condenser: automatic fluff removal

#### Technical Information

- Slide-under installation
- Large silver-black door with 165° opening
- Dimensions (H x W): 84.8 cm x 59.8 cm
- Appliance depth: 59.0 cm
- Appliance depth incl. door: 63.5 cm
- Appliance depth with open door: 107.2 cm

<sup>1 2</sup> Scale of Energy Efficiency Classes from A to G

<sup>3</sup> Energy consumption in kWh per 100 complete cycles (in Eco 40-60 programme)

<sup>4</sup> Water consumption in litres per complete cycle (in Eco 40-60 programme)

<sup>5</sup> Energy consumption in kWh per 100 washing cycles (in Eco 40-60 programme)

<sup>6</sup> Weighted water consumption in litres per washing cycle (in Eco 40-60 programme)

<sup>7</sup> Duration of Eco 40-60 programme, Wash and Dry cycle / Wash only cycle

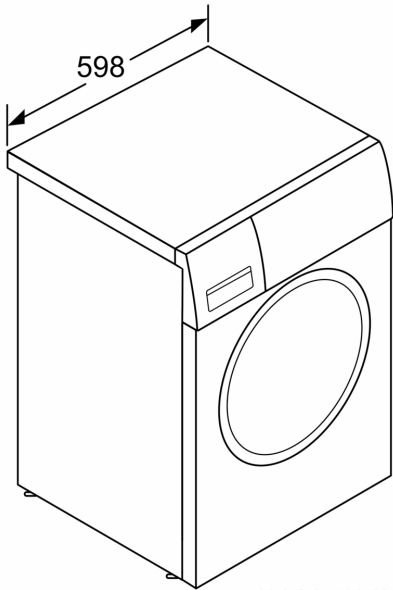
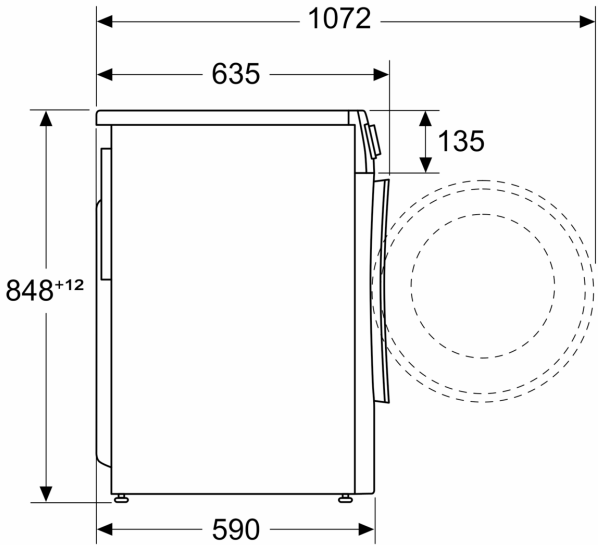
\*\* Values are rounded.

\*\*\* Comparison between the program duration of Easy-care 40°C and the program duration of Easy-care 40°C + activated varioSpeed option

**iQ500, Washer dryer, 9/6 kg, 1400 rpm  
WN44G290GB**

Dimensioned drawings

measurements in mm



measurements in mm