

iQ300, Washer dryer, 8/5 kg, 1400 rpm, White WN34A1U8GB



Washer-dryer with time saving speedPack and extra gentle autoDry programme.

- ✓ Wash & Dry 45/60: fast, efficient washing and drying in 45 or 60 minutes.
- ✓ autoDry: gentle, precise drying that saves energy.
- ✓ iQdrive: efficient, durable and quiet.
- ✓ speedPack L: speed up your programmes. Or wash and dry in just 60 minutes.
- ✓ Capacity 8/5kg: wash loads of up to 8kg, and dry up to 5kg.

Features

Technical Data

Energy Efficiency Class Wash/Dry cycle(Regulation): E
 Energy Efficiency Class Eco 40-60 programme (Regulation): C
 Weighted energy consumption in kWh per 100 full Wash/Dry cycles:
313 kWh
 Weighted energy consumption in kWh per 100 washing cycles of
 eco 40-60 programme:63 kWh
 Maximum capacity in kg in a Wash/Dry cycle: 5.0
 Maximum capacity in kg in a wash cycle:8.0
 The water consumption of the full wash and dry cycle in liters per
 cycle: 70 l
 The water consumption of the eco programme in liters per cycle:
 41 l
 Duration of the full wash and dry cycle in hours and mins at rated
 capacity: 7:30 h
 Duration of eco 40-60 programme in hours and mins at rated
 capacity: 3:32 h
 Spin-drying efficiency class of eco 40-60 programme: B
 Airborne acoustical noise emissions : 70 dB(A) re 1pW
 Airborne acoustical noise emission class:A
 Built-in / Free-standing: Freestanding
 Removable top: No
 Door opening:Left
 Length electrical supply cord: 210.0 cm
 Dimensions of the product:848x598x590 mm
 Weight: 74.2 kg
 Drum volume: 60 l
 EAN code:4242003890240



Optional accessories

WZWP20W Platform with pull-out, washer, cubic

iQ300, Washer dryer, 8/5 kg, 1400 rpm, White WN34A1U8GB

Features

Performance

- Energy Efficiency Class Wash and Dry¹: E
- Energy Efficiency Class Washing²: C
- Energy³ / Water⁴ Wash and Dry: 313 kWh / 70 litres
- Energy⁵ / Water⁶ Washing: 63 kWh / 41 litres
- Load capacity Wash and Dry / Washing: 1 - 5 kg / 1 - 8 kg
- Programme duration⁷ Wash and Dry / Washing: 7:30 h:min / 3:32 h:min
- Spin drying efficiency class: EU19_spin efficiency class: B
- Spin speed^{**}: 400 - 1400 rpm
- Noise level: 70 dB (A) re 1 pW
- Noise efficiency class: A

Programmes/functions

- Standard programmes for washing: cottons, easy-care, delicates/silk, wool/handwash
- Special programmes washing: hygiene, rapid 15 minute quick wash, shirts/blouses, mixed fabrics, drain / spin, single rinse
- Most common washing programmes can be used as solo-drying programme or as washing and drying in one go programme
- Standard programmes for drying: cottons, easy-care
- Special programmes drying: Intensive dry, Low heat drying, Wash & Dry 60'

Key features

- varioSpeed: Up to 65% reduced washing cycle ***
- Options washing: less ironing, Spin speed selection, speedPerfect, Start / Pause, Temperature selection, prewash
- Options drying: Drying aim
- Drying options for most wash programmes
- autoDry function, and time selection options

Additional features

- Reload Function: Stop the washing machine to add any forgotten items of laundry to the drum.
- Large LED-Display for programme status indication, max. spin speed, remaining time and 24 h end time delay and load recommendation
- Fully electronic control dial for all wash and special programmes
- Drum volume: 60 litres
- waveDrum: for highly effective and extremely gentle laundry care
- waterPerfect Plus: for efficient use of water even with small loads thanks to intelligent sensor technology.
- Large white door with 165° opening
- iQdrive with 10 year warranty
- antiVibration Design - for more stability and quietness
- Sound insulation by additional noise reduction material
- Maintenance free condenser: automatic fluff removal
- Aqua Protection Plus
- Foam detection system
- Detergent over dosage display
- Out of balance load adjustment

- Electronic child safety package
- Acoustic signals: Buzzer
- Detergent dispensing: easy clean
- Divider for Liquid Detergent

Technical Information

- Slide-under installation
- Dimensions (H x W): 84.8 cm x 59.8 cm
- Appliance depth: 59.0 cm
- Appliance depth incl. door: 63.0 cm
- Appliance depth with open door: 106.3 cm

^{1 2} Scale of Energy Efficiency Classes from A to G

³ Energy consumption in kWh per 100 complete cycles (in Eco 40-60 programme)

⁴ Water consumption in litres per complete cycle (in Eco 40-60 programme)

⁵ Energy consumption in kWh per 100 washing cycles (in Eco 40-60 programme)

⁶ Weighted water consumption in litres per washing cycle (in Eco 40-60 programme)

⁷ Duration of Eco 40-60 programme, Wash and Dry cycle / Wash only cycle

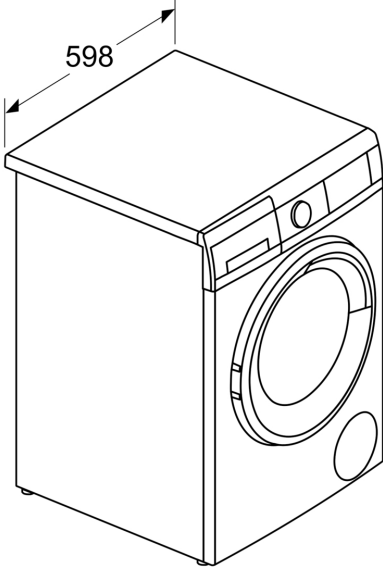
** Values are rounded.

*** Comparison between the program duration of Easy-care 40°C and the program duration of Easy-care 40°C + activated varioSpeed option

**iQ300, Washer dryer, 8/5 kg, 1400 rpm, White
WN34A1U8GB**

Dimensioned drawings

measurements in mm



measurements in mm

