

**iQ300, Washing machine, front loader, 8 kg, 1400 rpm
WM14NK08GB**



WX975600	Floor securing component
WZ10131	Extension for cold water inlet /Aquastop
WZWP20W	Platform with pull-out, washer, cubic

iSensonic Washing Machine with iQDrive for highly effective and efficient laundry care.

- ✓ speedPack L – Speed up your programmes, or wash in just 15 minutes.
- ✓ Best Energy Efficiency label A - Our most energy-efficient washing machine.
- ✓ LED simple touch display - easy to use and shows all relevant information clearly
- ✓ Outdoor/ Waterproofing programme – Protects waterproof textiles.
- ✓ Efficient, quiet, and durable with guarantee - iQdrive with 10 year guarantee

Technical Specifications

Energy Efficiency Class:	A
Weighted energy consumption in kWh per 100 washing cycles of eco 40-60 programme:	46 kWh
Maximum capacity in kg:	8.0 kg
The water consumption of the eco programme in liters per cycle:	47 l
Duration of eco 40-60 programme in hours and mins at rated capacity:	3:33 h
Spin-drying efficiency class of eco 40-60 programme:	B
Airborne acoustical noise emission class:	A
Airborne acoustical noise emissions :	71 dB(A) re 1 pW
Built-in / Free-standing:	Freestanding
Dimensions of the product:	848 x 598 x 590 mm
Weight:	71.0 kg
Connection Rating:	2300 W
Fuse protection:	10 A
Nominal power:	220-240 V
Frequency:	50 Hz
Length electrical supply cord:	210.0 cm
Door opening:	Left
Wheels:	No
EAN code:	4242003933015
Installation type:	Freestanding



iQ300, Washing machine, front loader, 8 kg, 1400 rpm WM14NK08GB

Performance

- Energy Efficiency Class¹: A
- Energy² / Water³: 46 kWh / 47 litres
- Load capacity: 1 - 8 kg
- Programme duration⁴: 3:33 h:min
- Spin drying efficiency class: B
- Spin speed^{**}: 400 - 1400 rpm
- Noise level: 71 dB (A) re 1 pW
- Noise efficiency class: A

Programmes/functions

- Standard programmes: cottons, easy care, delicates, wool hand wash
- Special programmes: lingerie, Dark Wash, shirts/blouses, textile guard re-proofing programme, mixed fabrics, rapid 15 minute quick wash, drum clean with reminder, wool/handwash, delicates/silk

Key features

- varioSpeed: Up to 65% reduced washing cycle ***
- Touch control buttons: prewash, less ironing, Ready in, temperature selection, varioSpeed, start/pause with reload function, spin speed selection

Additional features

- Reload Function: Stop the washing machine to add any forgotten items of laundry to the drum.
- Large display for programme progress indication, spin speed, remaining time, 24 hour end time delay and load recommendation.
- Drum volume: 65 litres
- Aqua Protection
- Fully electronic control dial for all wash and special programmes
- antiVibration Design - for more stability and quietness
- iQdrive with 10 year warranty
- iQdrive with 10 year warranty
- waterPerfect Plus: for efficient use of water even with small loads thanks to intelligent sensor technology.
- Foam detection system
- Out of balance load adjustment
- No
- End of cycle buzzer
- Electronic child safety package
- Divider for Liquid Detergent
- Large black-black door with 171° opening
- Metal door catch
- Magnet door lock

Technical Information

- Slide-under installation
- Dimensions (H x W): 84.8 cm x 59.8 cm
- Appliance depth: 59.0 cm
- Appliance depth incl. door: 63.2 cm
- Appliance depth with open door: 106.3 cm

¹ Scale of Energy Efficiency Classes from A to G

² Energy consumption in kWh per 100 cycles (in programme Eco 40-60)

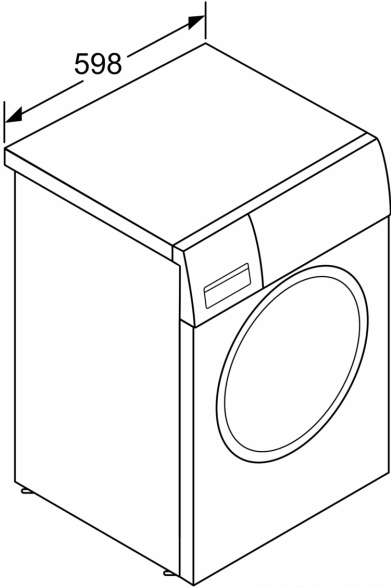
³ Weighted water consumption in litres per cycle (in programme Eco 40-60)

⁴ Duration of Eco 40-60 programme

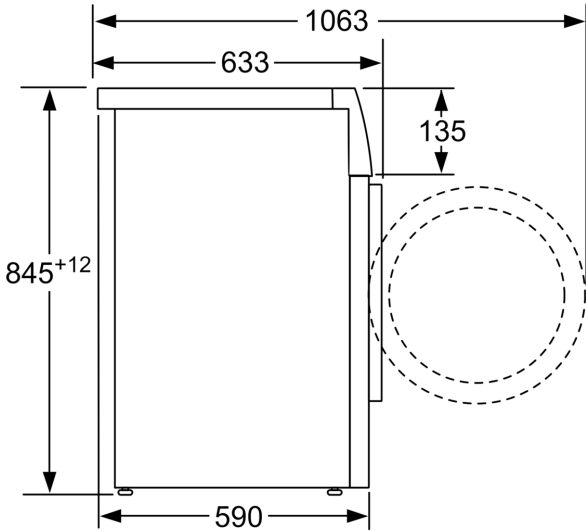
** Values are rounded.

*** Comparison between the program duration of Easy-care 40°C and the program duration of Easy-care 40°C + activated varioSpeed option

**iQ300, Washing machine, front loader, 8 kg, 1400 rpm
WM14NK08GB**



measurements in mm



measurements in mm