

iQ700, Built-in washing machine, 8 kg, 1400 rpm WI14W501GB



iSensoric fully integrated premium built-in washing machine with iQdrive and timeLight.

- ✓ speedPack L – Speed up your programmes, or wash in just 15 minutes.
- ✓ LED simple touch display - easy to use and shows all relevant information clearly
- ✓ timeLight: See the programme status as a projection on the floor
- ✓ Outdoor/ Waterproofing programme – Protects waterproof textiles.
- ✓ Efficient, quiet, and durable with guarantee - iQdrive with 10 year guarantee

Features

Technical Data

Energy Efficiency Class: C
 Weighted energy consumption in kWh per 100 washing cycles of eco 40-60 programme: 62 kWh
 Maximum capacity in kg: 8.0 kg
 The water consumption of the eco programme in liters per cycle: 45 l
 Duration of eco 40-60 programme in hours and mins at rated capacity: 3:16 h
 Spin-drying efficiency class of eco 40-60 programme: B
 Airborne acoustical noise emission class: A
 Airborne acoustical noise emissions : 66 dB(A) re 1 pW
 Construction type: Built-in
 Height of removable worktop: -2 mm
 Dimensions of the product: 818 x 596 x 544 mm
 Net weight: 76.0 kg
 Connection rating: 2300 W
 Fuse protection: 10 A
 Voltage: 220-240 V
 Frequency: 50 Hz
 Length of electrical supply cord: 210 cm
 Door hinge: Left
 Wheels: No
 EAN code: 4242003874783
 Installation type: Full-integrated

Optional accessories

WZ20441	Height-adjustable feet
WZ10131	Extension for cold water inlet /Aquastop
WX975600	Floor securing component



iQ700, Built-in washing machine, 8 kg, 1400 rpm WI14W501GB

Features

Performance

- Energy Efficiency Class¹: C
- Energy² / Water³: 62 kWh / 45 litres
- Load capacity: 1 - 8 kg
- Programme duration⁴: 3:16 h:min
- Spin drying efficiency class: B
- Spin speed^{**}: 400 - 1400 rpm
- Noise level: 66 dB (A) re 1 pW
- Noise efficiency class: A

Programmes/functions

- Touch control buttons: prewash, Ready in, temperature selection, varioSpeed, start/pause with reload function, Water & Rinse Plus, spin speed selection
- Special programmes: drain / spin, Dark Wash, shirts/blouses, textile guard re-proofing programme, mixed fabrics, rapid 15 minute quick wash, duvet, Night Wash, drum clean with reminder, single rinse, wool/handwash, Standard cold - 40°C

Key features

- Timelight: See the programme status projected on the floor despite being built in
- Reload Function: Stop the washing machine to add any forgotten items of laundry to the drum.
- waterPerfect Plus: for efficient use of water even with small loads thanks to intelligent sensor technology.
- antiVibration Design - for more stability and quietness

Additional features

- iQdrive with 10 year warranty
- Large display for programme progress indication, temperature, spin speed, remaining time, 24 hours end time delay and load recommendation
- drum clean with reminder function
- aquaStop: Siemens home appliance with lifetime warranty against water damage*
- Detergent dispensing: From front
- Foam detection system
- Out of balance load adjustment
- Divider for Liquid Detergent
- End of cycle buzzer
-

Technical Information

- Fully integrated
- Large white door with 130° opening and 30 cm porthole
- Furniture door is reversible
- Dimensions (H X W X D): 81.8 x 59.6 x 57.4 cm
- Height adjustment with cardanDrive
- adjustable base height: 15 cm
- adjustable base depth: 6.5 cm

¹ Scale of Energy Efficiency Classes from A to G

² Energy consumption in kWh per 100 cycles (in programme Eco 40-60)

³ Weighted water consumption in litres per cycle (in programme Eco 40-60)

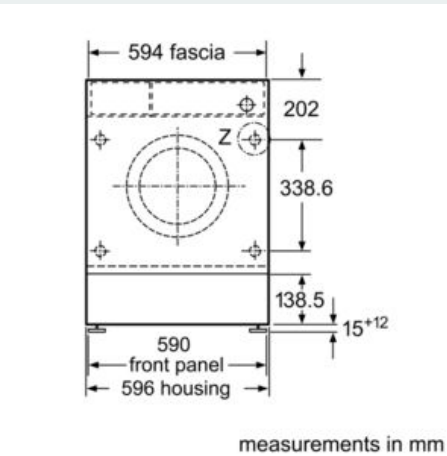
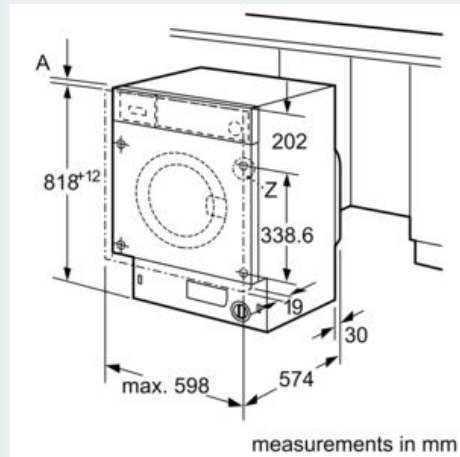
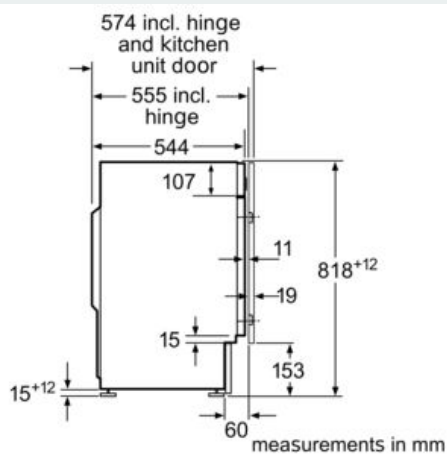
⁴ Duration of Eco 40-60 programme

** Values are rounded.

* Please find warranty terms under the additional warranties section of our website.

iQ700, Built-in washing machine, 8 kg,
1400 rpm
WI14W501GB

Dimensioned drawings



Z detail

