

**iQ700, Washing machine, front loader, 10 kg, 1600 rpm
WG56B2A2GB**



- ✓ 30% less energy consumption than Energy Efficiency Class A
- ✓ stainRemoval system: reliably removes 16 of the most stubborn stains.
- ✓ speedPack XL: speed up your wash or use one of the fixed preset speed programmes.
- ✓ i-Dos with Detergent scan: automatically dispenses detergent with maximum precision, wash after wash.
- ✓ Added steam: Smoother clothes straight from the wash.



Energy Efficiency Class:A
 Weighted energy consumption in kWh per 100 washing cycles of eco 40-60 programme:35 kWh
 Maximum capacity in kg: 10.0 kg
 The water consumption of the eco programme in liters per cycle: 48 l
 Duration of eco 40-60 programme in hours and mins at rated capacity: 3:57 h
 Spin-drying efficiency class of eco 40-60 programme:A
 Airborne acoustical noise emission class:A
 Airborne acoustical noise emissions : 72 dB(A) re 1pW
 Built-in / Free-standing: Freestanding
 Dimensions of the product:845x598x590 mm
 Weight: 83.4 kg
 Connection Rating: 2300 W
 Fuse protection: 10 A
 Nominal power: 220-240 V
 Frequency: 50 Hz
 Length electrical supply cord: 210.0 cm
 Door opening:Left
 Wheels: No
 EAN code: 4242003964835
 Installation type: Freestanding

- WX975600 Floor securing component
- WZ10131 Extension for cold water inlet /Aquastop
- WZMPF10 Microplastic Filter
- WZWP20W Platform with pull-out, washer, cubic



iQ700, Washing machine, front loader, 10 kg, 1600 rpm WG56B2A2GB

Performance

- Energy Efficiency Class¹: A
- Energy² / Water³: 35 kWh / 48 litres
- Load capacity: 1 - 10 kg
- Programme duration⁴: 3:57 h:min
- Spin drying efficiency class: A
- Spin speed^{**}: 400 - 1600 rpm
- Noise level: 72 dB (A) re 1 pW
- Noise efficiency class: A

Programmes/functions

- Standard programmes: cottons, easy care, delicates, wool hand wash
- Special programmes: automatic, textile guard re-proofing programme, drain / spin, PowerWash 59, mixed fabrics, single rinse, rapid 15 minute quick wash

Key features

- i-Dos: automatic dosing of liquid detergent and softener
- Automatic stain removal - 6 stains at the touch of a button, 10 further stains via Home Connect
- Touch control buttons: On/off, Ready in, stain selection, i-Dos 1, i-Dos 2, child lock, Memory, remote start, start/pause with reload function, temperature selection, varioSpeed, prewash, spin speed selection, Water & Rinse Plus/Rinse Hold

Additional features

- Reload Function: Stop the washing machine to add any forgotten items of laundry to the drum.
- powerSpeed system: better washing results in less time
- Hygiene Plus: clean laundry and effective removal of germs
- Drum volume: 70 litres
- drum interior light
- waveDrum: for highly effective and extremely gentle laundry care
- Large chrome-black door with 188° opening
- Reload function: Pause the already running washing machine to add any forgotten items of laundry to the drum.
- iQdrive with 10 year warranty
- iQdrive with 10 year warranty
- antiVibration Design - for more stability and quietness
- waterPerfect Plus: for efficient use of water even with small loads thanks to intelligent sensor technology.
- Sound insulation by additional noise reduction material
- Sound insulation by additional noise reduction material
- hydroSensor monitors and controls rinse cycles
- aquaStop: Siemens home appliance with lifetime warranty against water damage*
- Jog dial with integrated on/off control
- Foam detection system
- Detergent over dosage display
- Out of balance load adjustment
- Electronic child safety package

- Acoustic signals: Buzzer
- Detergent dispensing: i-DOS 2.0
- Usage meter: counts completed programmes

Technical Information

- Slide-under installation
- Dimensions (H x W): 84.5 cm x 59.8 cm
- Appliance depth: 59.0 cm
- Appliance depth incl. door: 63.8 cm
- Appliance depth with open door: 109.0 cm

¹ Scale of Energy Efficiency Classes from A to G

² Energy consumption in kWh per 100 cycles (in programme Eco 40-60)

³ Weighted water consumption in litres per cycle (in programme Eco 40-60)

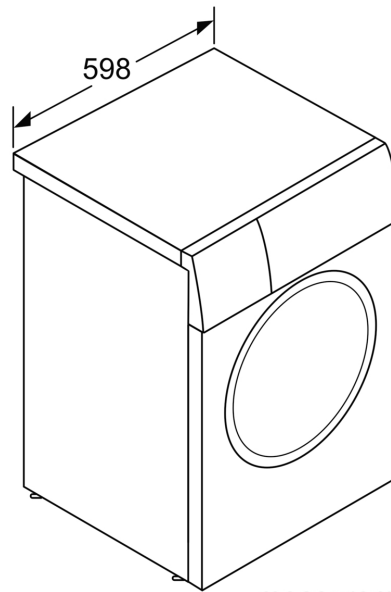
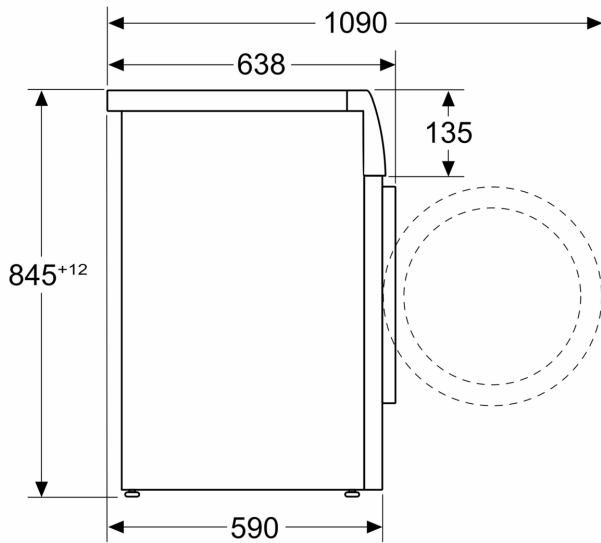
⁴ Duration of Eco 40-60 programme

** Values are rounded.

* Please find warranty terms under the additional warranties section of our website.

**iQ700, Washing machine, front loader, 10 kg, 1600 rpm
WG56B2A2GB**

Measurements in mm



measurements in mm