

**iQ500, Washing machine, front loader, 9 kg, 1600 rpm
WG46H2A9GB**



- ✓ Best Energy Efficiency label A - Our most energy-efficient washing machines.
- ✓ stainRemoval system: reliably removes 16 of the most stubborn stains.
- ✓ speedPack L: speed up your cycle, or wash clothes in just 15 minutes.
- ✓ i-Dos with Detergent scan: automatically dispenses detergent with maximum precision, wash after wash.
- ✓ Added steam: Smoother clothes straight from the wash.

Energy Efficiency Class:A
 Weighted energy consumption in kWh per 100 washing cycles of eco 40-60 programme:49 kWh
 Maximum capacity in kg:9.0 kg
 The water consumption of the eco programme in liters per cycle: 50 l
 Duration of eco 40-60 programme in hours and mins at rated capacity:3:40 h
 Spin-drying efficiency class of eco 40-60 programme: A
 Airborne acoustical noise emission class:B
 Airborne acoustical noise emissions : 73 dB(A) re 1pW
 Built-in / Free-standing: Freestanding
 Dimensions of the product:845x598x590 mm
 Weight: 81.5 kg
 Connection Rating: 2300 W
 Fuse protection:10 A
 Nominal power: 220-240 V
 Frequency: 50 Hz
 Length electrical supply cord: 210.0 cm
 Door opening:Left
 Wheels: No
 EAN code:4242003963067
 Installation type: Freestanding



WX975600	Floor securing component
WZ10131	Extension for cold water inlet /Aquastop
WZMPF10	Microplastic Filter
WZWP20W	Platform with pull-out, washer, cubic

iQ500, Washing machine, front loader, 9 kg, 1600 rpm WG46H2A9GB

Performance

- Energy Efficiency Class¹: A
- Energy² / Water³: 49 kWh / 50 litres
- Load capacity: 1 - 9 kg
- Programme duration⁴: 3:40 h:min
- Spin drying efficiency class: A
- Spin speed^{**}: 0 - 1600 rpm
- Noise level: 73 dB (A) re 1 pW
- Noise efficiency class: B

Programmes/functions

- Standard programmes: cottons, easy care, delicates, wool hand wash
- Special programmes: automatic soft, textile guard re-proofing programme, drain / spin, mixed fabrics, single rinse, rapid 15 minute quick wash, Hygiene

Key features

- i-Dos: automatic dosing of liquid detergent and softener
- Automatic stain removal - 6 stains at the touch of a button, 10 further stains via Home Connect
- Touch control buttons: On/off, Ready in, stain selection, i-DOS 2.0, remote start, start/pause with reload function, temperature selection, varioSpeed, prewash, spin speed selection/Rinse Hold

Additional features

- Reload Function: Stop the washing machine to add any forgotten items of laundry to the drum.
- Large LED-Display for programme status indication, max. spin speed, remaining time and 24 h end time delay and load recommendation
- Hygiene Plus: clean laundry and effective removal of germs
- Drum volume: 70 litres
- drum interior light
- waveDrum: for highly effective and extremely gentle laundry care
- Reload function: Pause the already running washing machine to add any forgotten items of laundry to the drum.
- iQdrive with 10 year warranty
- iQdrive with 10 year warranty
- antiVibration Design - for more stability and quietness
- waterPerfect Plus: for efficient use of water even with small loads thanks to intelligent sensor technology.
- Sound insulation by additional noise reduction material
- hydroSensor monitors and controls rinse cycles
- aquaStop: Siemens home appliance with lifetime warranty against water damage*
- Jog dial with integrated on/off control
- Foam detection system
- Detergent over dosage display
- Out of balance load adjustment
- Electronic child safety package
- Acoustic signals: Buzzer
- Usage meter: counts completed programmes

Technical Information

- Slide-under installation

¹ Scale of Energy Efficiency Classes from A to G

² Energy consumption in kWh per 100 cycles (in programme Eco 40-60)

³ Weighted water consumption in litres per cycle (in programme Eco 40-60)

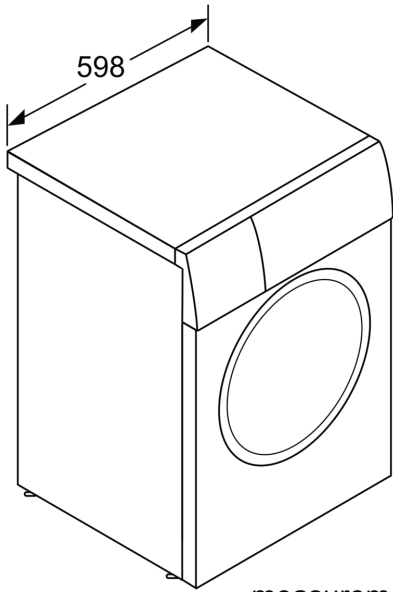
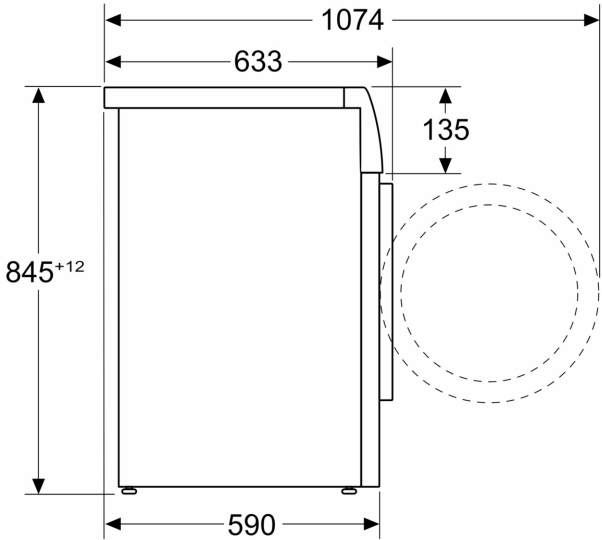
⁴ Duration of Eco 40-60 programme

** Values are rounded.

* Please find warranty terms under the additional warranties section of our website.

**iQ500, Washing machine, front loader, 9 kg, 1600 rpm
WG46H2A9GB**

Measurements in mm



measurements in mm