

**Series 8, Washer dryer, 10/6 kg,
1400 rpm
WDU8H541GB**



Washer dryer with Hybrid FlexAir: Enjoy efficient and precise washing and drying results for all types of textiles. Wash & dry up to 6 kg in one go.

- **Iron Assist:** the clever steam treatment that smooths dried clothes.
- **Save up to 34% energy*** when washing in program Eco 40-60.
- **Hybrid FlexAir washer dryer technology** achieves energy class **A** for the washing cycle.
- **Direct Select Display:** easy programme selection with the intuitive display and illuminated control.
- **Wash & Dry 60:** wash and dry small loads efficiently in just **60 min.**

Energy Efficiency Class Wash/Dry cycle(Regulation):	D
Energy Efficiency Class Eco 40-60 programme (Regulation):	A
Weighted energy consumption in kWh per 100 full Wash/Dry cycles	307 kWh
Weighted energy consumption in kWh per 100 washing cycles of eco 40-60 programme:	49 kWh
Maximum capacity in kg in a Wash/Dry cycle:	6.0
Maximum capacity in kg in a wash cycle:	10.0
The water consumption of the full wash and dry cycle in liters per cycle:	74 l
The water consumption of the eco programme in liters per cycle: 50 l	
Duration of the full wash and dry cycle in hours and mins at rated capacity:	8:00 h
Duration of eco 40-60 programme in hours and mins at rated capacity:	3:55 h
Spin-drying efficiency class of eco 40-60 programme:	B
Airborne acoustical noise emissions :	70 dB(A) re 1pW
Airborne acoustical noise emission class:	A
Built-in / Free-standing:	Freestanding
Removable top:	No
Door hinge:	Left
Length electrical supply cord:	210.0 cm
Dimensions of the product:	848x598x616 mm
Net weight:	84.8 kg
Drum volume:	65 l
EAN code:	4242005328680

WMZ2200 Floor securing component
WMZ2381 Extension for cold water inlet /Aquastop



Series 8, Washer dryer, 10/6 kg, 1400 rpm WDU8H541GB

Washer dryer with Hybrid FlexAir: Enjoy efficient and precise washing and drying results for all types of textiles. Wash & dry up to 6 kg in one go.

Performance

- Energy Efficiency Class Wash and Dry¹: D
- Energy Efficiency Class Washing²: A
- Energy³ / Water⁴ Wash and Dry: 307 kWh / 74 litres
- Energy⁵ / Water⁶ Washing: 49 kWh / 50 litres
- Load capacity Wash and Dry / Washing: 1 - 6 kg / 1 - 10 kg
- Programme duration⁷ Wash and Dry / Washing: 8:00 h:min / 3:55 h:min
- Spin drying efficiency class: EU19_spin efficiency class: B
- Spin speed^{**}: 0 - 1400 rpm
- Noise level: 70 dB (A) re 1 pW
- Noise efficiency class: A

Programmes/functions

- Standard programmes for washing: Cottons, Easy-Care, Delicate/Silk programme, Wool/Handwash
- Special programmes washing: Drum clean with reminder, Super Quick 15, Rinse, Mixed Load, MyTime, Drain / Spin, Remote Program, Sportswear
- Most common washing programmes can be used as solo-drying programme or as washing and drying in one go programme
- Standard programmes for drying: Cottons, Easy-Care
- Special programmes drying: Refresh, MyTime, Wash & Dry 60'

Key features

- Home Connect: Remote Monitoring and Control
- SpeedPerfect: perfectly clean in up to 65% less time. ***
- Options washing: 1 - 3 additional rinse cycles, Easy iron, HygieneCare, Child lock, Memory, Night Wash, SpeedPerfect, Prewash, Water plus
- Options drying: Iron Dry, Night Dry, Solo Dry, Speed, Cupboard Dry, Cupboard Dry Plus, Wash + Dry
- Drying options for most wash programmes
- Autodry function, Timed drying programmes

Additional features

- Reload function: Flexibility to add or remove laundry items of any size even after start of the wash cycle.
- Exceptional convenience thanks to the inclined ergonomic control panel
- Hybrid FlexAir system for energy saving when washing
- AquaStop: Bosch home appliance with lifetime warranty against water damage*
- EcoSilence drive with 10 year warranty
- EcoSilence drive with 10 year warranty
- Fully electronic metal control dial for all wash and special programmes
- Large LED-Display for programme status indication, temperature selection, spin speed, remaining time and 24 hours end time delay,

- load recommendation and consumption indication
- WaveDrum - Gentle washing thanks to a unique drum structure
- Drum interior light
- integrated 32 cm porthole, chrome, blackgrey with 125° opening door
- ActiveWater Plus: for highly efficient use of water even with smaller loads thanks to automatic load detection.
- AntiVibration Design - for more stability and quietness
- Sound insulation by additional noise reduction material
- Sound insulation by additional noise reduction material
- Foam detection system
- Safeguard monitoring system adjusts load distribution and programme settings to protect clothes
- Buzzer to indicate the end of cycle
- Maintenance free condenser: automatic fluff removal
- Child lock
- White door with 180° opening door
- Left hinged door
- Metal door catch
- Reload facility

Technical Information

- Slide-under installation
- Dimensions (H x W): 84.8 cm x 59.8 cm
- Appliance depth: 61.6 cm
- Appliance depth incl. door: 65.4 cm
- Appliance depth with open door: 114.2 cm

^{1 2} Scale of Energy Efficiency Classes from A to G

³ Energy consumption in kWh per 100 complete cycles (in Eco 40-60 programme)

⁴ Water consumption in litres per complete cycle (in Eco 40-60 programme)

⁵ Energy consumption in kWh per 100 washing cycles (in Eco 40-60 programme)

⁶ Weighted water consumption in litres per washing cycle (in Eco 40-60 programme)

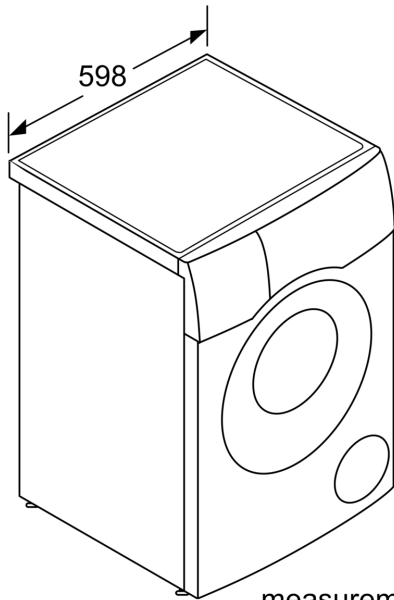
⁷ Duration of Eco 40-60 programme, Wash and Dry cycle / Wash only cycle

** Values are rounded.

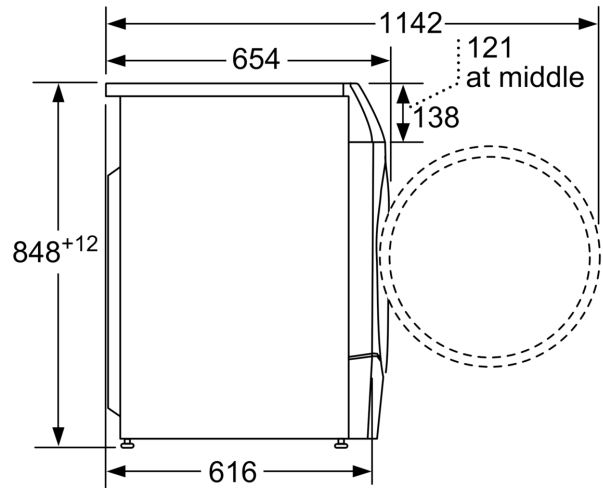
* Please find warranty terms under the additional warranties section of our website.

*** Comparison between the program duration of Easy-care 40°C and the program duration of Easy-care 40°C + activated Speed option

**Series 8, Washer dryer, 10/6 kg,
1400 rpm
WDU8H541GB**



measurements in mm



measurements in mm