

iQ300, Fully-integrated dishwasher, 45 cm, varioHinge SR93EX24MG



Excellent wifi-enabled varioHinge dishwasher with program status projection on the floor, operable using a smartphone or voice assistant device.

- ✓ Optimal installation in your kitchen – varioHinge.
- ✓ autoOpen dry – the automatic door opening option for highly efficient drying results
- ✓ Slimline varioFlex basket & varioDrawer – Adjustable racks, multiple loading options.
- ✓ infoLight shines with a blue light on the kitchen floor when running but goes out when the washing and drying cycle is over.
- ✓ Home Connect – Control your smart dishwasher, no matter where you are.

Features

Technical Data

Energy Efficiency Class:C
 Energy Consumption for 100 cycles Eco Programme: 59 kWh
 Maximum number of place settings: 10
 The water consumption of the eco programme in liters per cycle: 8.9 l
 Programme duration:3:15 h
 Airborne acoustical noise emissions : 44 dB(A) re 1 pW
 Airborne acoustical noise emission class:B
 Built-in / Free-standing: Built-in
 Height of removable worktop:0 mm
 Dimensions of the product: 815 x 448 x 550 mm
 Min. required niche size for installation (HxWxD): ..815-875 x 450 x 550 mm
 Depth with open door 90 degree:1150 mm
 Adjustable feet: Yes - all from front
 Maximum adjustability feet: 60 mm
 Adjustable plinth:Both horizontal and vertical
 Weight: 31.9 kg
 Gross weight: 33.7 kg
 Connection Rating: 2400 W
 Fuse protection:10 A
 Nominal power:220-240 V
 Frequency:60; 50 Hz
 Length electrical supply cord: 175.0 cm
 Plug type: GB plug
 Length inlet hose: 165 cm
 Length outlet hose: 205 cm
 EAN code:4242003957523
 Installation type: Fully integrated



Optional accessories

SZ30BI02	decorative strips stainless steel 81,5cm
SZ34BI00	Built-in set 45 dishwashers, fully int.
SZ34CB00	Moveable cutlery basket
SZ38BI00	Connection rail for divided furniture
SZ72010	inlet and outlet hose extention 2 m
SZ73000	Dishwashing aid set
SZ73145	Moveable cutlery basket
SZ73300	Wineglass-Tray

iQ300, Fully-integrated dishwasher, 45 cm, varioHinge SR93EX24MG

Features

Performance

- Energy Efficiency Class¹: C
- Energy² / Water³: 59 kWh / 8.9 litres
- Capacity: 10 place settings
- Programme duration⁴: 3:15 (h:min)
- Noise level: 44 dB(A) re 1 pW
- Noise Efficiency Class: B

Programmes/functions

- 6 programmes: Eco 50 °C, Auto 45-65 °C, Intensive 70 °C, Speed 65 °C, Speed 45 °C, Favourite
- Default favourite programme: Pre-Rinse
- 4 special options: Remote Start, intensiveZone, HygienePlus, Speed on Demand - varioSpeed Plus
- Add-On functions via Home Connect app: Silence on Demand
- Machine care programme

Flexible design elements

- varioFlex basket system
- varioDrawer with flex tines
- 3 stage rackMatic height-adjustable top basket
- Low friction wheels on bottom basket
- Anti-slip protection strips in upper basket
- Rack Stopper to prevent derailing of bottom basket
- 2 foldable plate racks in top basket
- 2 foldable plate racks in bottom basket
- Upper rack cup shelf
- Lower rack cup shelf
- Glass rack in bottom basket

Innovations and technology

- Home Connect ready
- autoOpen dry and Heat Exchanger
- dosageAssist detergent dispenser
- iQDrive motor
- duoPower spray arms
- Automatic detergent-aware system
- hydroSensor
- Glass care protection system

Design features

- varioHinge 50mm
- Controls on top edge of door
- infoLight (blue) - Light projection on the floor
- DoorOpen Assist for handleless kitchens
- Time delay (3, 6 or 24 hours)
- acoustic end of cycle indicator
- Childlock feature - double push door open
- aquaStop®: Siemens home appliances' warranty in case of water damage – throughout the lifetime of the appliance.*
- Self-cleaning filter system with 3 piece corrugated filter
- steam protection plate
- Stainless steel interior
- Dimensions (HxWxD): 81.5 x 44.8 x 55cm

¹ Scale of Energy Efficiency Classes from A to G

² Energy consumption in kWh per 100 cycles (in programme Eco 50 °C)

³ Water consumption in litres per cycle (in programme Eco 50 °C)

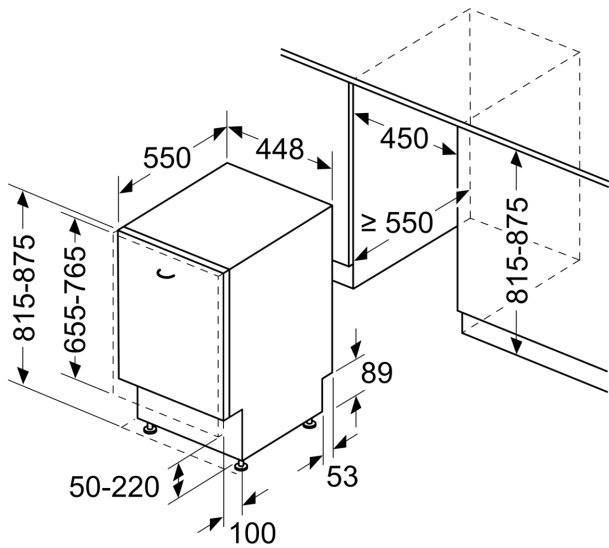
⁴ Duration of programme Eco 50 °C

* Please find warranty terms under <https://www.siemens-home.bsh-group.com/uk/customer-service/warranty/additional-warranties>

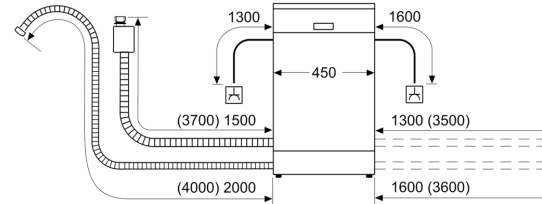
**iQ300, Fully-integrated
dishwasher, 45 cm, varioHinge
SR93EX24MG**

Dimensioned drawings

measurements in mm



measurements in mm



⏏ socket
() values with extension kit