

Series 4, Fully-integrated dishwasher, 45 cm SPV4EMX25G



Better drying performance with the connected dishwasher for smart remote control.

- **SpeedPerfect+**: Reduced washing time, perfectly cleaned dishes.
- **EfficientDry**: improved drying performance by automatic door opening.
- **Silence 50° program**: Reduce the noise to a minimum and enjoy peaceful and quiet dishwashing without compromising on cleanliness.
- **Rackmatic**: even more adjustment options and maximum flexibility.
- **Slimline Vario Flex baskets & Vario Drawer**: 3 racks moulded to fit everything from teaspoons to pots.

Energy Efficiency Class:C
 Energy Consumption for 100 cycles Eco Programme: 59 kWh
 Maximum number of place settings: 10
 The water consumption of the eco programme in liters per cycle: 8.9 l
 Programme duration: 3:15 h
 Airborne acoustical noise emissions :44 dB(A) re 1pW
 Airborne acoustical noise emission class:B
 Built-in / Free-standing: Built-in
 Height of removable worktop: 0 mm
 Dimensions of the product (HxWxD):815 x 448 x 550 mm
 Min. required niche size for installation (HxWxD):815-875 x 450 x 550 mm
 Depth with open door 90 degree: 1150 mm
 Adjustable feet: Yes - all from front
 Maximum adjustability feet: 60 mm
 Adjustable plinth: Both horizontal and vertical
 Net weight: 33.4 kg
 Gross weight: 35.2 kg
 Connection rating: 2400 W
 Fuse protection: 10 A
 Voltage: 220-240 V
 Frequency: 50; 60 Hz
 Length electrical supply cord: 175.0 cm
 Plug type: GB plug
 Length inlet hose: 165 cm
 Length outlet hose: 205 cm
 EAN code: 4242005467327
 Installation typology: Integrated

SGZ0BI02	decorative strips stainless steel 81,5cm
SGZ1010	inlet and outlet hose extension
SGZ4CB00	Vario cutlery basket 45cm
SMZ5000	Dishwashing aid set
SMZ5003	Retractable hinge f. high corpus dimens.
SMZ5300	GlassSecure Tray
SPZ5100	Vario cutlery basket



Series 4, Fully-integrated dishwasher, 45 cm SPV4EMX25G

Better drying performance with the connected dishwasher for smart remote control.

Performance

- Energy Efficiency Class¹: C
- Energy² / Water³: 59 kWh / 8.9 litres
- Capacity: 10 place settings
- Programme duration⁴: 3:15 (h:min)
- Noise level: 44 dB(A) re 1 pW
- Noise Efficiency Class: B
- Noise level (silence programme): 42 dB(A) re 1 pW

Programmes / functions

- 6 programmes: Eco 50 °C, Auto 45-65 °C, Intensive 70 °C, Express 65°, Silence 50 °C, Favourite
- Default favourite programme: Pre-Rinse
- 4 special options: Remote Start, Efficient Dry, Intensive Zone, SpeedPerfect+
- Add-On functions via Home Connect app: Hygiene+, Silence on Demand
- Machine Care

Flexible design elements

- Vario Flex basket system
- Cutlery drawer 1.0 Flex
- 3 stage Rackmatic height-adjustable top basket
- Low friction wheels on bottom basket
- Anti-slip protection strips in upper basket
- Rack Stopper to prevent derailing of bottom basket
- 2 foldable plate racks in top basket
- 2 foldable plate racks in bottom basket
- Upper rack cup shelf
- Lower rack cup shelf
- Glass rack in bottom basket

Innovations and technology

- Home Connect ready on WLAN
- Efficient Dry and Heat Exchanger
- DosageAssist detergent dispenser
- EcoSilence BLDC drive
- Automatic detergent detection
- AquaSensor III
- AquaMix - Glass protection system

Design features

- Push button top edge controls
- TimeLight - Light projection on the floor
- DuoPower spray arm in upper basket
- Time delay (3, 6 or 24 hours)
- Acoustic end of cycle indicator
- Self-cleaning filter system with 3 piece corrugated filter
- incl. Steam protection for worktop

- AquaStop: Bosch's warranty in case of water damage - for the lifetime of the appliance. Please find warranty terms under <https://www.bosch-home.co.uk/customer-service/care-protection-and-parts/additional-warranties>

- Stainless steel interior
- Dimensions (HxWxD): 81.5 x 44.8 x 55cm

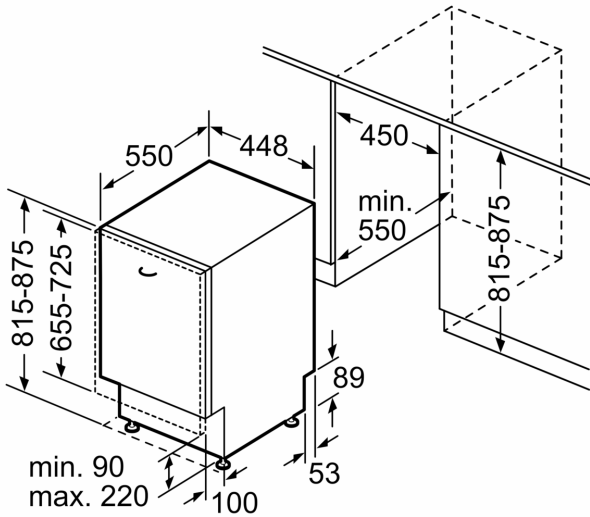
¹ Scale of Energy Efficiency Classes from A to G

² Energy consumption in kWh per 100 cycles (in programme Eco 50 °C)

³ Water consumption in litres per cycle (in programme Eco 50 °C)

⁴ Duration of programme Eco 50 °C

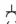
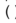
**Series 4, Fully-integrated
dishwasher, 45 cm
SPV4EMX25G**



measurements in mm

measurements in mm



 socket
 values with extension kit