

## iQ700, Fully-integrated dishwasher, 60 cm, varioHinge SN97T800CE



Premium Energy label A dishwasher, thanks to the innovative High Efficiency Energy Saving System with no constraining compromises to perfect results.

- ✓ Our most energy-efficient dishwasher - Energy label A
- ✓ Optimal installation in your kitchen – varioHinge.
- ✓ Zeolith® drying – Quicker dishwasher drying that uses less energy.
- ✓ flexComfort Pro – Easy-access dishwasher baskets that cradle your glassware.
- ✓ emotionLight Pro – Light up your dishwasher with 256 vibrant colours.

Energy Efficiency Class: .....A  
 Energy Consumption for 100 cycles Eco Programme: ..... 54 kWh  
 Maximum number of place settings: ..... 14  
 The water consumption of the eco programme in liters per cycle: 9.5 l  
 Programme duration: .....4:55 h  
 Airborne acoustical noise emissions : ..... 43 dB(A) re 1 pW  
 Airborne acoustical noise emission class: .....B  
 Built-in / Free-standing: ..... Built-in  
 Height of removable worktop: .....0 mm  
 Dimensions of the product: ..... 815 x 598 x 550 mm  
 Min. required niche size for installation (HxWxD): ..815-875 x 600 x 550 mm  
 Depth with open door 90 degree: .....1150 mm  
 Adjustable feet: ..... Yes - all from front  
 Maximum adjustability feet: ..... 60 mm  
 Adjustable plinth: .....Both horizontal and vertical  
 Weight: ..... 44.1 kg  
 Gross weight: ..... 46.0 kg  
 Connection Rating: ..... 2400 W  
 Fuse protection: ..... 10 A  
 Nominal power: .....220-240 V  
 Frequency: .....50; 60 Hz  
 Length electrical supply cord: ..... 175.0 cm  
 Plug type: ..... Gardy plug w/ earthing  
 Length inlet hose: ..... 165 cm  
 Length outlet hose: ..... 190 cm  
 EAN code: .....4242003897355  
 Installation type: ..... Fully integrated



|           |  |
|-----------|--|
| SZ30BI01  | decorative strips stainless steel 81,5cm |
| SZ38BI00  | Connection rail for divided furniture    |
| SZ72010   | inlet and outlet hose extention 2 m      |
| SZ73000   | Dishwashing aid set                      |
| SZ73001   | Silver polishing cassette                |
| SZ73035   | panel strips, elevated install. 81,5cm   |
| SZ73051EU | Mains cable with EU-Plug 5m              |
| SZ73100   | cutlery basket                           |
| SZ73300   | Wineglass-Tray                           |
| SZ73640   | Rack insert for stemware dishwasher      |

## iQ700, Fully-integrated dishwasher, 60 cm, varioHinge SN97T800CE

### Performance

- Energy Efficiency Class<sup>1</sup>: A
- Energy<sup>2</sup> / Water<sup>3</sup>: 54 kWh / 9.5 litres
- Capacity: 14 place settings
- Programme duration<sup>4</sup>: 4:55 (h:min)
- Noise level: 43 dB(A) re 1 pW
- Noise Efficiency Class: B
- Noise level (silence programme): 41 dB(A) re 1 pW

### Programmes/functions

- 8 Programmes: Eco 50 °C, Auto 45-65 °C, Intelligent 40 °C, Intensive 70 °C, Speed 60°, brilliantShine 40 °C, Silence 50 °C, Favourite
- Default favourite programme: Pre-Rinse
- 5 special options: Remote Start, Shine & Dry, IntensiveZone, Hygiene Plus, Speed on Demand - varioSpeed Plus
- Silence on Demand (via app)
- Machine Care
- hydroSensor

### Flexible design elements

- flexComfort Pro baskets basket system with blue coloured touchpoints
- varioDrawer - loading of cutlery on 3rd level
- 3 stage rackMatic height-adjustable top basket
- Anti-slip protection strips in upper basket
- easyGlide wheels on all levels
- Rack Stopper to prevent derailing of bottom basket
- 6 foldable plate racks in top basket
- 8 foldable plate racks in bottom basket
- Upper rack cup shelf
- Lower rack cup shelf
- Glass rack in bottom basket

### Innovations and technology

- Home Connect ready
- High Efficiency Energy Saving System
- Zeolith energy efficient drying
- glassZone
- autoOpen dry and Heat Exchanger
- dosageAssist detergent dispenser
- iQDrive motor
- Automatic detergent-aware system
- AquaMix - Glass protection system

### Design features

- varioHinge 50mm
- TFT display with high-definition colour
- Black touch control operation
- Multicoloured interior emotion light
- Controls on top edge of door
- sideLight - indicates cycle is running

- DoorOpen Assist for handleless kitchens
- Real-time clock
- Time delay (3, 6 or 24 hours)
- acoustic end of cycle indicator
- aquaStop®: Siemens home appliances' warranty in case of water damage – throughout the lifetime of the appliance.\*
- Childlock feature - double push door open
- Self-cleaning filter system with 3 piece corrugated filter
- Decorative strips included (stainless steel)
- steam protection plate
- Stainless steel interior
- Dimensions (HxWxD): 81.5 x 59.8 x 55cm

<sup>1</sup> Scale of Energy Efficiency Classes from A to G

<sup>2</sup> Energy consumption in kWh per 100 cycles (in programme Eco 50 °C)

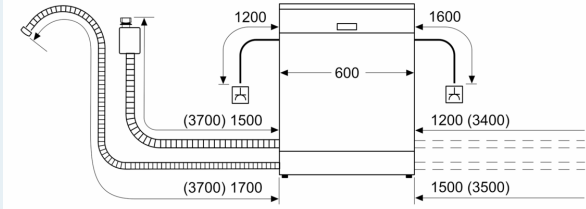
<sup>3</sup> Water consumption in litres per cycle (in programme Eco 50 °C)

<sup>4</sup> Duration of programme Eco 50 °C

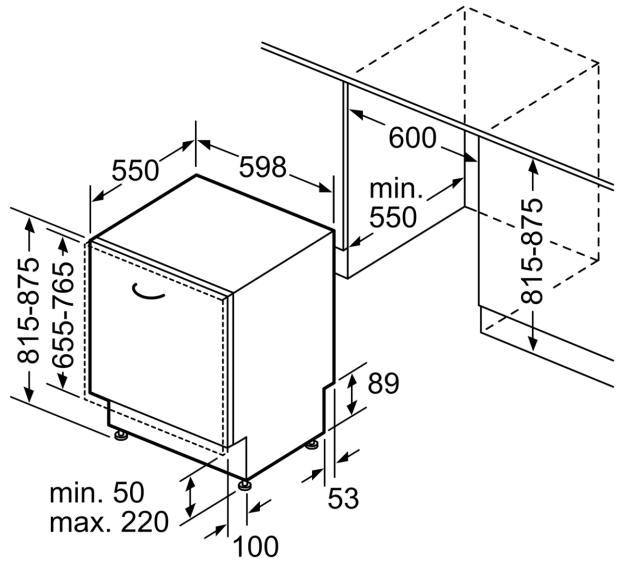
\* Please find warranty terms under <https://www.siemens-home.bsh-group.com/uk/customer-service/warranty/additional-warranties>

iQ700, Fully-integrated  
dishwasher, 60 cm, varioHinge  
SN97T800CE

measurements in mm



⌚ socket  
( ) values with extension kit



measurements in mm