

iQ100, Fully-integrated dishwasher, 60 cm SN61HX00KG



Optional accessories

SZ30BI02	decorative strips stainless steel 81,5cm
SZ38BI00	Connection rail for divided furniture
SZ72010	inlet and outlet hose extension 2 m
SZ73300	Wineglass-Tray

Professional wifi-enabled dishwasher with program status projection on the floor, operable using a smartphone or voice assistant device.

- ✓ varioSpeed Plus – Wash and dry your dishes up to three times faster.
- ✓ Hygiene level validated for Eco 50°C and higher levels with Intensive 70°C and Machine Care programmes.
- ✓ More space for loading with the varioFlex rack with folding levels and elements.
- ✓ infoLight shines with a blue light on the kitchen floor when running but goes out when the washing and drying cycle is over.
- ✓ Control your smart dishwasher, no matter where you are.

Features

Technical Data

Energy Efficiency Class ¹ :C
Energy Consumption for 100 cycles Eco Programme ² :	.. 74 kWh/100 cycles
Maximum number of place settings: 13
The water consumption of the eco programme in liters per cycle:	9.0 l
Programme duration ³ :4:55 h
Airborne acoustical noise emissions : 44 dB(A) re 1pW
Airborne acoustical noise emission class:B
Built-in / Free-standing: Built-in
Height of removable worktop:0 mm
Required niche size for installation (HxWxD):	.. 815-875 x 600 x 550 mm
Depth with open door 90 degree:1150 mm
Adjustable feet: Yes - all from front
Maximum adjustability feet: 60 mm
Adjustable plinth:Both horizontal and vertical
Weight: 33.5 kg
Gross weight: 35.3 kg
Connection Rating: 2400 W
Fuse protection: 10 A
Nominal power:220-240 V
Frequency:50; 60 Hz
Length electrical supply cord: 175 cm
Plug type: GB plug
Length inlet hose: 165 cm
Length outlet hose: 190 cm
EAN code:4242003985588
Installation type: Fully integrated



¹ Scale of Energy Efficiency Classes from A to G
² Energy consumption in kWh per 100 cycles (in programme Eco 50 °C)
³ Duration of programme Eco 50 °C

iQ100, Fully-integrated dishwasher, 60 cm SN61HX00KG

Features

Performance

- Energy Efficiency Class¹: C
- Energy² / Water³: 74 kWh / 9 litres
- Capacity: 13 place settings
- Programme duration⁴: 4:55 (h:min)
- Noise level: 44 dB(A) re 1 pW
- Noise Efficiency Class: B

Programmes/functions

- 5 programmes: Eco 50 °C, Auto 45-65 °C, Intensive 70 °C, Speed 65 °C, Favourite
- Default favourite programme: Pre-Rinse
- 4 special options: Remote Start, intensiveZone, Half Load, Speed on Demand - varioSpeed Plus
- Machine care programme
- Add-On functions via Home Connect app: Hygiene Plus, Silence on Demand

Flexible design elements

- Heat exchanger - Hygienic and efficient drying
- hydroSensor
- dosageAssist detergent dispenser
- iQDrive motor
- Self-cleaning filter system with 3 piece corrugated filter
- Stainless steel interior

Innovations and technology

- varioFlex baskets
- 3 stage rackMatic height-adjustable top basket
- Low friction wheels on bottom basket
- Rack Stopper to prevent derailing of bottom basket
- 2 foldable plate racks in top basket
- 4 foldable plate racks in bottom basket
- Knife rack in top basket
- variable dark grey
- Upper rack cup shelf

Design features

- Home Connect ready
- Controls on top edge of door
- English GB
- infoLight (blue) - Light projection on the floor
- acoustic end of cycle indicator
- Time delay (3, 6 or 9 hours)

spare ***

- aquaStop®: Siemens home appliances' warranty in case of water damage – throughout the lifetime of the appliance.*
- Glass care protection system
- Includes salt filling funnel
- incl. Steam protection for worktop

New for 2021

- Dimensions (HxWxD): 81.5 x 59.8 x 55cm

¹ Scale of Energy Efficiency Classes from A to G

² Energy consumption in kWh per 100 cycles (in programme Eco 50 °C)

³ Water consumption in litres per cycle (in programme Eco 50 °C)

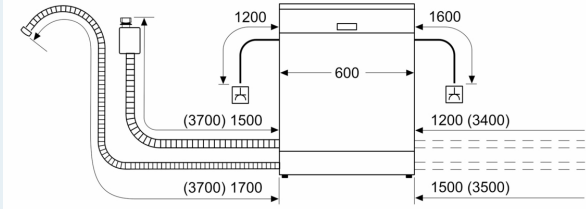
⁴ Duration of programme Eco 50 °C

* Please find warranty terms under <https://www.siemens-home.bsh-group.com/uk/customer-service/warranty/additional-warranties>

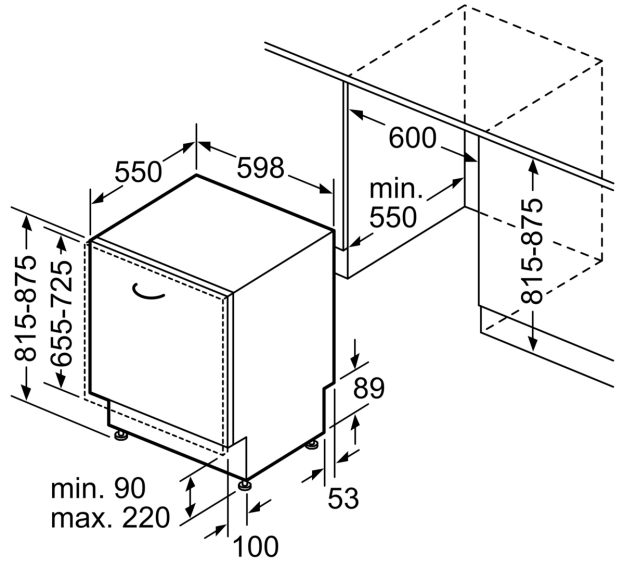
**iQ100, Fully-integrated
dishwasher, 60 cm
SN61HX00KG**

Dimensioned drawings

measurements in mm



⚡ socket
() values with extension kit



measurements in mm