

**Series 6, Fully-integrated
dishwasher, 60 cm
SMD6TCX00E**



A Rated energy dishwasher. Delivering great performance and perfect results with no compromises, thanks to the innovative High Efficiency Energy Saving System.

- **Energy Efficiency Class A:** our most energy-efficient dishwashers.
- **PerfectDry:** perfect drying results with low energy consumption, even for hard-to-dry items.
- **SpeedPerfect+:** Reduced washing time, perfectly cleaned dishes.
- **Silence 50° program:** Reduce the noise to a minimum and enjoy peaceful and quiet dishwashing without compromising on cleanliness.
- **Rackmatic:** even more adjustment options and maximum flexibility.

- SGZ0BI01 decorative strips stainless steel 81,5cm
- SGZ1010 inlet and outlet hose extention
- SGZ8BI00 Connection rail for divided furniture
- SMZ1051EU Mains cable with EU-Plug 5m
- SMZ2014 Rack insert for stemware dishwasher
- SMZ2056 Attachment door, stainless steel
- SMZ5003 Retractable hinge f. high corpus dimens.
- SMZ5035 Decor conversion kit, stainless steel
- SMZ5100 Vario-cutlery basket
- SMZ5300 GlassSecure Tray

Energy Efficiency Class: A
 Energy Consumption for 100 cycles Eco Programme: 54 kWh
 Maximum number of place settings: 14
 The water consumption of the eco programme in liters per cycle: 9.5 l
 Programme duration: 4:55 h
 Airborne acoustical noise emissions :44 dB(A) re 1pW
 Airborne acoustical noise emission class:B
 Built-in / Free-standing: Built-in
 Height of removable worktop: 0 mm
 Dimensions of the product (HxWxD):815 x 598 x 550 mm
 Min. required niche size for installation (HxWxD):815-875 x 600 x 550 mm
 Depth with open door 90 degree: 1150 mm
 Adjustable feet: Yes - all from front
 Maximum adjustability feet: 60 mm
 Adjustable plinth: Both horizontal and vertical
 Net weight:43.1 kg
 Gross weight: 45.0 kg
 Connection rating: 2400 W
 Fuse protection:10 A
 Voltage: 220-240 V
 Frequency: 50; 60 Hz
 Repair index:9.0
 Length electrical supply cord: 175.0 cm
 Plug type: GARDY plug w/ earthing
 Length inlet hose: 165 cm
 Length outlet hose: 190 cm
 EAN code:4242005278954
 Installation typology: Integrated



Series 6, Fully-integrated dishwasher, 60 cm SMD6TCX00E

A Rated energy dishwasher. Delivering great performance and perfect results with no compromises, thanks to the innovative High Efficiency Energy Saving System.

Performance

- Energy Efficiency Class¹: A
- Energy² / Water³: 54 kWh / 9.5 litres
- Capacity: 14 place settings
- Programme duration⁴: 4:55 (h:min)
- Noise level: 44 dB(A) re 1 pW
- Noise Efficiency Class: B
- Noise level (silence programme): 42 dB(A) re 1 pW

Programmes / functions

- 6 programmes: Eco 50 °C, Auto 45-65 °C, Intensive 70 °C, Express 60 °C, Silence 50 °C, Favourite
- Default favourite programme: Pre-Rinse
- 4 special options: Remote Start, Extra Dry, Half Load, SpeedPerfect+
- Machine Care
- Silence on Demand (via app)

Flexible design elements

- Flex basket system
- VarioDrawer - loading of cutlery on 3rd level
- 3 stage Rackmatic height-adjustable top basket
- Low friction wheels on bottom basket
- Rack Stopper to prevent derailing of bottom basket
- 2 foldable plate racks in top basket
- 2 foldable plate racks in bottom basket
- Upper rack cup shelf
- Lower rack cup shelf

Innovations and technology

- High Efficiency Energy Saving System
- Home Connect ready on WLAN
- Zeolith - Energy efficient and perfect drying results
- Efficient Dry and Heat Exchanger
- DosageAssist detergent dispenser
- EcoSilence BLDC drive
- Automatic detergent detection
- AquaSensor III
- AquaMix - Glass protection system

Design features

- Push button top edge controls
- InfoLight (Red) - Light projection on the floor
- DoorOpen Assist - perfectly designed for kitchens without handles
- Acoustic end of cycle indicator, Time remaining indicator (min), water inlet indicator
- Time delay (3, 6 or 24 hours)

- ChildLock - double push to open
- AquaStop: Bosch's warranty in case of water damage - for the lifetime of the appliance. Please find warranty terms under <https://www.bosch-home.co.uk/customer-service/care-protection-and-parts/additional-warranties>
- Self-cleaning filter system with 3 piece corrugated filter
- incl. Steam protection for worktop
- Stainless steel interior
- Dimensions (HxWxD): 81.5 x 59.8 x 55cm

¹ Scale of Energy Efficiency Classes from A to G

² Energy consumption in kWh per 100 cycles (in programme Eco 50 °C)

³ Water consumption in litres per cycle (in programme Eco 50 °C)

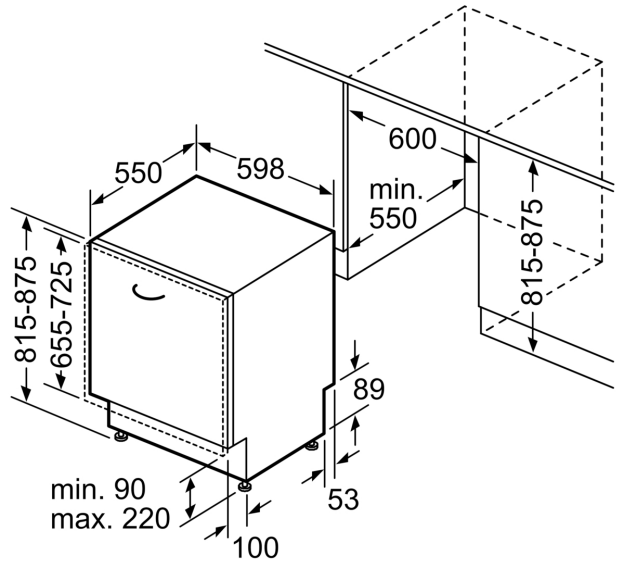
⁴ Duration of programme Eco 50 °C

**Series 6, Fully-integrated
dishwasher, 60 cm
SMD6TCX00E**

measurements in mm



socket
() values with extension kit



measurements in mm