

**Series 4, Induction hob, 60 cm,
Black,
PUE611BB5B**



The Induction hob: Faster than gas and ceramic hobs, induction is easier to clean and more energy efficient.

- **Plug & Play:** plugs easily into the socket.
- **TouchSelect:** Selection of the desired cooking zone and easy setting of the desired power level.
- **PowerBoost:** up to 50% more power for faster heating on your induction hob.
- **QuickStart:** start straight away and select the desired cooking level.
- **Restart:** restores cooktop settings in case of an unintentional cooktop switch-off.

Appliance type:Cooking zone ceramic
 Built-in / Free-standing: Built-in
 Heating type:Electric hob
 Number of cooking zones:4
 Min. required niche size for installation (HxWxD):51 x 560-560 x 490-500 mm
 Width of the appliance:592 mm
 Dimensions: 51x592x522 mm
 Dimensions of the packed product (HxWxD): 126 x 753 x 608 mm
 Net weight:9.2 kg
 Gross weight: 11.4 kg
 Residual heat indicator: Separate
 Location of control panel: Front
 Basic surface material:Ceramic glass
 Color of surface:Black
 Length electrical supply cord: 110.0 cm
 EAN code:4242005285150
 Voltage: 220-240 V
 Frequency: 50; 60 Hz

- HEZ32WA00 Wireless food thermometer
- HEZ390090 Wok Set consisting of 3 Items
- HEZ9ES100 Espresso maker 4 cups
- HEZ9FE280 Iron pan Ø 18 / 28 cm
- HEZ9SE030 Set of 2 pots and 1 pan
- HEZ9SE040 4 pieces Set
- HEZ9SE060 6 pieces Set



Series 4, Induction hob, 60 cm, Black, PUE611BB5B

ensure installation is carried out by a qualified electrician.

The Induction hob: Faster than gas and ceramic hobs, induction is easier to clean and more energy efficient.

Flexibility of cooking zones

- Cooking zone front left: 180 mm, 1.8 KW (max. power 3.1 KW)
- Cooking zone rear left: 180 mm, 1.8 KW (max. power 3.1 KW)
- Cooking zone rear right: 145 mm , 1.4 KW (max power 2.2 KW)
- Cooking zone front right: 210 mm, 2.2 KW (max. power 3.7 KW)

Usage convenience

- TouchSelect: control the power with imprinted +/- touch buttons.
- Variable 17-stage power settings for each zone: precisely adapt the heat with 17 power levels (9 main levels and 8 intermediate levels).
- Switch-off timer: switches off the cooking zone at the end of the time set (e.g. for boiled eggs).
- Count-down timer: an alarm sounds at the end of the time set (e.g. for pasta).

Time saving & efficiency

- PowerBoost function for all zones
- : boil water faster thanks to 50% more energy than at the highest standard level.
- QuickStart function: when switching on, the hob automatically selects the cooking zone with cookware (when placed on a zone whilst the hob is off).
- ReStart function: in case of unintentional switch-off, this feature restores all previous settings by switching on the hob again within 4 seconds.
- Quick Stop: quickly switch off a cooking zone with one longer touch.

Design

- 60 cm: space for 4 pots or pans.
- Frameless design

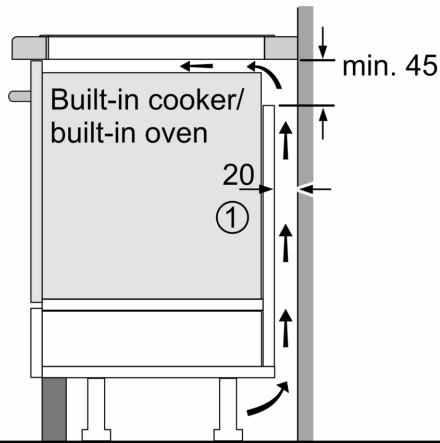
Safety

- 2 stage residual heat indicator for each zone: indicates which cooking zones are still hot or warm.
- Control panel lock: prevent unintended activation of the hob.
- Main on/off switch: switch off all cooking zones at the touch of a button.
- Automatic safety shut off: for safety reasons, heating stops after a preset time if not used.

Installation

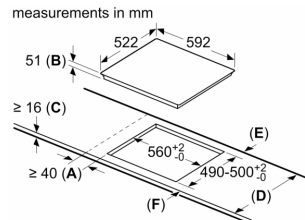
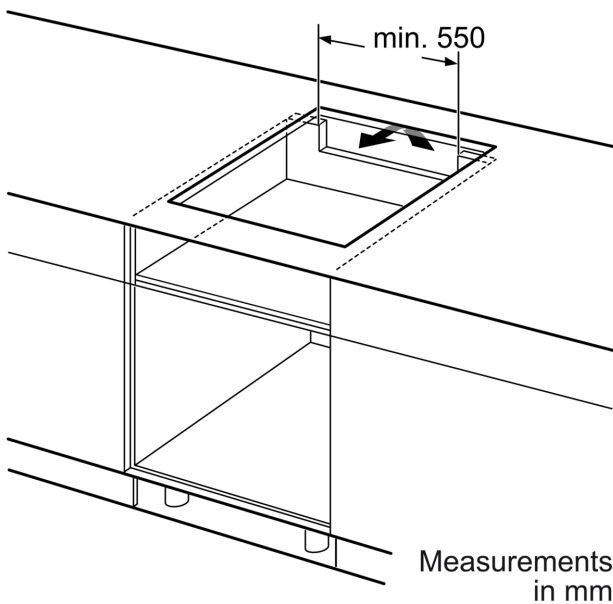
- Dimensions of the product (HxWxD mm): 51 x 592 x 522
- Required niche size for installation (HxWxD mm) : 51 x 560 x (490 - 500)
- Min. worktop thickness: 16 mm
- Connected load: 3.7 KW
- Power cord 1.1 m UK 3 pin plug: plug and play, no electrician required for installation.
- This hob is equipped with a UK 3 pin plug for an easy plug & play installation. The plug limits the maximum power output to 3.7 KW. For higher power output, please select a hob without plug and

**Series 4, Induction hob, 60 cm,
Black,
PUE611BB5B**



①
Ventilation gap must
be present

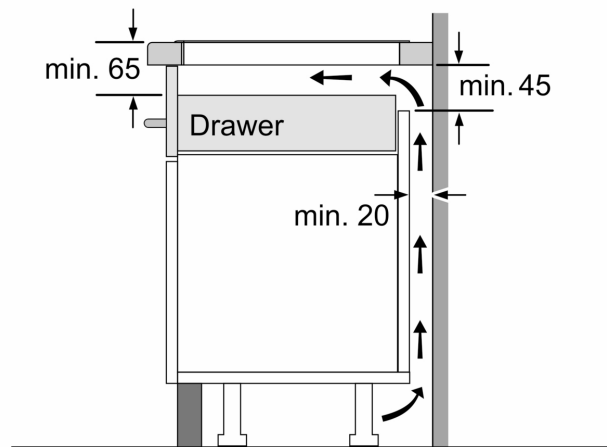
All measurements in mm



A: Minimum distance from the hob cut-out to the wall.
B: Recessed depth
C: The clearance between the surface of the worktop and the top of the front of the oven must be 30 mm. See space requirements for the oven.

The worktop into which the hob is installed must withstand loads of approx. 60 kg; suitable substructures must be used if required.

D	E	F
585-600	50	≥ 35
> 600	≥ 50	≥ 50



Measurements in mm