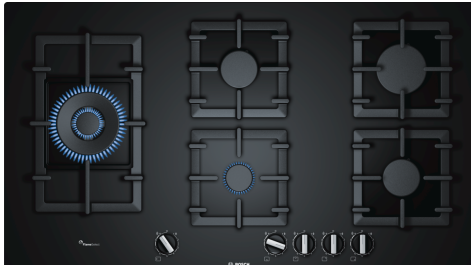


**Series 6, Gas hob, 90 cm, Tempered glass, Black  
PPS9A6B90**



- 
- HEZ298105 Simmer plate
  - HEZ298114 Small pot support
  - HEZ298127 Wok ring

**The tempered-glass gas hob with FlameSelect: achieve perfect cooking results thanks to nine precisely defined power levels.**

---

Appliance type: ..... gas hob w integrated controls  
 Built-in / Free-standing: ..... Built-in  
 Heating type: ..... Gas  
 Number of cooking zones: ..... 5  
 Type of control setting devices: ..... sword knobs  
 Min. required niche size for installation (HxWxD): ..... 45 x 850-852 x 490-502 mm  
 Width of the appliance: ..... 915 mm  
 Dimensions: ..... 58x915x520 mm  
 Dimensions of the packed product (HxWxD): ... 165 x 1116 x 659 mm  
 Net weight: ..... 21.8 kg  
 Gross weight: ..... 24.0 kg  
 Residual heat indicator: ..... without  
 Location of control panel: ..... Front  
 Basic surface cooking material: ..... Tempered glass  
 Color of surface: ..... Black  
 Color of frame: ..... Black  
 Length electrical supply cord: ..... 150.0 cm  
 EAN code: ..... 4242002915067  
 Gas connection rating: ..... 11500 W  
 Fuse protection: ..... 3 A  
 Voltage: ..... 220-240 V  
 Frequency: ..... 60; 50 Hz

---



## **Series 6, Gas hob, 90 cm, Tempered glass, Black PPS9A6B90**

**The tempered-glass gas hob with FlameSelect: achieve perfect cooking results thanks to nine precisely defined power levels.**

---

### **Design**

- Tempered glass surface, Black
- frameless design: install the hob either flush or slightly raised on the worktop
- Cast iron pan supports with rubber feet

### **Usage convenience**

- FlameSelect: precisely control and adjust the flame in nine defined levels.
- Design co-ordinated control dials: easily access dials in front with strong grip for effortless turning.
- Ignition via control dials: just push and turn the dials to ignite the flame.

### **Burners and power**

- 5 gas burners:
- Left: wok burner up to 4 KW (depending on gas type)
- Center front: economy burner up to 1 KW (depending on gas type)
- Center rear: standard burner up to 1.75 KW (depending on gas type)
- Right rear: high-speed burner up to 3 KW (depending on gas type)
- Right front: standard burner up to 1.75 KW (depending on gas type)

### **Safety**

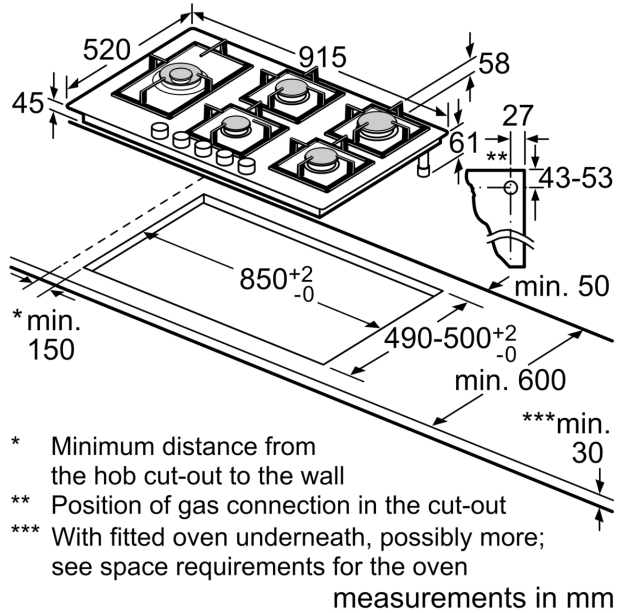
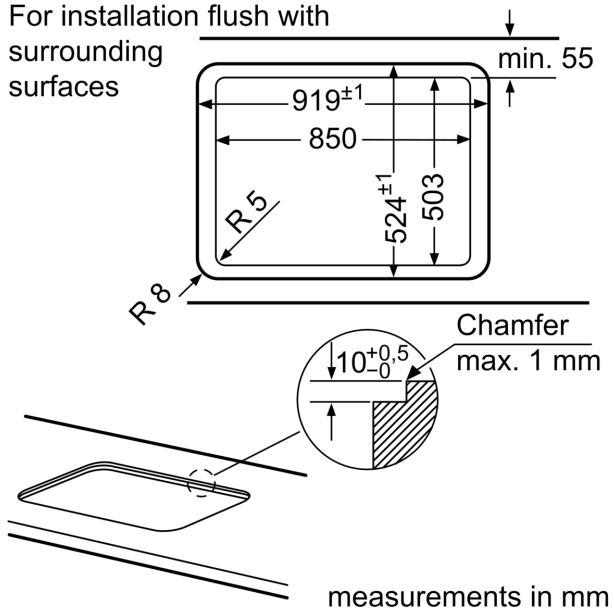
- Flame failure safety device: prevents unwanted gas flow when flame goes out.

### **Installation (gas types & measurements)**

- Usable for: Nat gas L/LL G25/20mbar(DE)
- NG H/E 20mbar, E+ 20/25mbar Natural gas H 25 mbar (HU) Natural gas L 25 mbar (NL) Liquid gas G30,31 28-30/37mbar Liquid gas G30 37 mbar (PL) Liquid gas 50 mbar
- Pre-set for natural gas
- Nozzle set for LPG jets included. Connection to 28-30/37 mbar bottled gas. Nozzles for all other gas types can be ordered via the customer service. For nozzle change, please contact the customer service.
- Dimensions of the product (HxWxD mm): 58 x 915 x 520
- Required niche size for installation (HxWxD mm) : 45 x 850 x (490 - 502)
- Min. worktop thickness: 30 mm
- Power cord: 1.5 m
- Connected load: 11.5 KW

**Series 6, Gas hob, 90 cm, Tempered glass, Black  
PPS9A6B90**

For installation flush with surrounding surfaces



- \* Minimum distance from the hob cut-out to the wall
- \*\* Position of gas connection in the cut-out
- \*\*\* With fitted oven underneath, possibly more; see space requirements for the oven