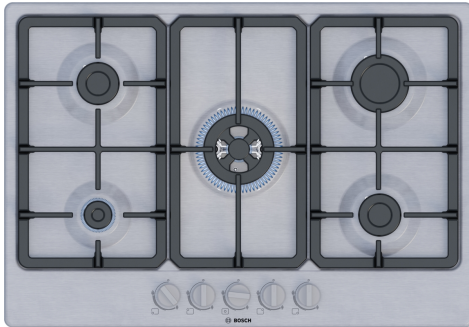


**Series 4, Gas hob, 75 cm, Stainless steel
PGQ7B5K90**



The gas hob with dishwasher suitable cast iron pan supports, Ergonomic sword dials, and a Main Switch for precise control.

- **Ergonomic sword dials:** with raised center for precise adjustments.
- **Stainless steel design:** The seamless, one-piece stainless steel design makes cleaning simple
- **Dishwasher-safe pan supports:** Easy, scrub-free cleaning.
- **Continuous cast-iron pan support:** for high firmness and stability of cookware.
- **Safety gas cut-off:** ensures safety by instantly cutting off gas supply if the flame goes out.

Optional accessories

HEZ298105	Simmer plate
HEZ298107	Wok ring
HEZ298114	Small pot support
HEZ32WA00	Wireless food thermometer
HEZ9SE040	4 pieces Set
HEZ9SE060	6 pieces Set

Technical Data

Appliance type:	gas hob w integrated controls
Built-in / Free-standing:	Built-in
Heating type:	Gas
Number of cooking zones:	5
Type of control setting devices:	sword knobs
Required niche size for installation (HxWxD):	45 x 560-560 x 480-490 mm
Width of the appliance:	750 mm
Dimensions:	54.2x750x520 mm
Dimensions of the packed product (HxWxD):	145 x 793 x 597 mm
Net weight:	9.0 kg
Gross weight:	10.9 kg
Residual heat indicator:	Separate
Location of control panel:	Front
Basic surface material:	Stainless steel
Color of surface:	Stainless steel
Length electrical supply cord:	100.0 cm
EAN code:	4242005473670
Gas connection rating:	10800 W
Fuse protection:	3 A
Voltage:	220-240 V
Frequency:	50; 60 Hz



Series 4, Gas hob, 75 cm, Stainless steel PGQ7B5K90

The gas hob with dishwasher suitable cast iron pan supports, Ergonomic sword dials, and a Main Switch for precise control.

Design

- Stainless steel surface
- Cast iron pan supports

Usage convenience

- Design co-ordinated control dials, front: easily access dials in front with strong grip for effortless turning.
- Ignition via control dials: just push and turn the dials to ignite the flame.

Burners and power

- 5 gas burners:
- Left front: economy burner up to 1 kW (depending on gas type)
- Left rear: Standard burner up to 1.75 KW (depending on gas type)
- Center front: wok burner up to 3.3 KW (depending on gas type)
- Right rear: high-speed burner up to 3 KW (depending on gas type)
- Right front: standard burner up to 1.75 KW (depending on gas type)

Cleaning

- Dishwasher suitable pan supports for easy cleaning.

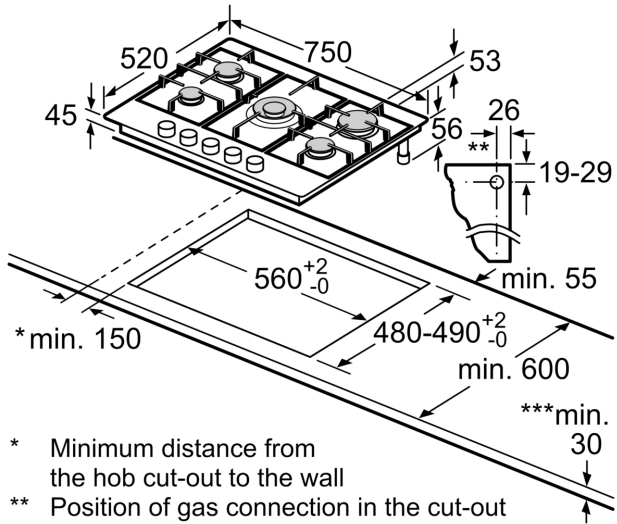
Safety

- Flame failure safety device: prevents unwanted gas flow when flame goes out.

Installation (gas types & measurements)

- Usable for: Nat gas L/LL G25/20mbar(DE)
- NG H/E 20mbar, E+ 20/25mbar Natural gas H 25 mbar (HU) Natural gas L 25 mbar (NL) Liquid gas G30,31 28-30/37mbar Liquid gas G30 37 mbar (PL) Liquid gas 50 mbar
- Pre-set for natural gas
- Nozzle set for LPG jets included. Connection to 28-30/37 mbar bottled gas. Nozzles for all other gas types can be ordered via the customer service. For nozzle change, please contact the customer service.
- Dimensions of the product (HxWxD mm): 54.2 x 750 x 520
- Required niche size for installation (HxWxD mm) : 45 x 560 x (480 - 490)
- Min. worktop thickness: 20 mm
- Power cord: 1 m
- Connected load: 10.8 KW

**Series 4, Gas hob, 75 cm, Stainless steel
PGQ7B5K90**



- * Minimum distance from the hob cut-out to the wall
 - ** Position of gas connection in the cut-out
 - *** With fitted oven underneath, possibly more; see space requirements for the oven
- measurements in mm