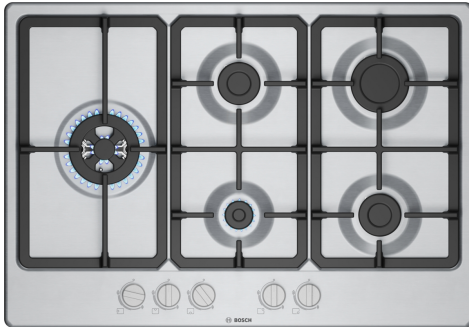


**Series 4, Gas hob, 75 cm, Stainless steel
PGM7B5K90**



The gas hob with dishwasher suitable cast iron pan supports, Ergonomic sword dials, and a Main Switch for precise control.

- **Dishwasher-suitable pan supports:** Easy, scrub-free cleaning.
- **Ergonomic sword dials:** with raised center for precise adjustments.
- **Stainless steel design:** The seamless, one-piece stainless steel design makes cleaning simple
- **Continuous cast-iron pan support:** for safety and stability of cookware.
- **Safety gas cut-off:** ensures safety by instantly cutting off gas supply if the flame goes out.

Optional accessories

- HEZ32WA00 Wireless food thermometer
HEZ9SE040 4 pieces Set

Technical Data

Appliance type: gas hob w integrated controls
 Built-in / Free-standing: Built-in
 Heating type: Gas
 Number of cooking zones: 5
 Type of control setting devices: sword knobs
 Required niche size for installation (HxWxD): 45 x 560-560 x 480-490 mm
 Width of the appliance: 750 mm
 Dimensions: 45x750x520 mm
 Dimensions of the packed product (HxWxD): 145x793x597 mm
 Net weight: 12.2 kg
 Gross weight: 14.1 kg
 Residual heat indicator: Without
 Location of control panel: Front
 Basic surface material: Stainless steel
 Color of surface: Stainless steel
 Length electrical supply cord: 100 cm
 EAN code: 4242005484638
 Gas connection rating: 10800 W
 Fuse protection: 3 A
 Voltage: 220-240 V
 Frequency: 50; 60 Hz



Series 4, Gas hob, 75 cm, Stainless steel PGM7B5K90

The gas hob with dishwasher suitable cast iron pan supports, Ergonomic sword dials, and a Main Switch for precise control.

Design

- Stainless steel surface
- Cast iron pan supports

Usage convenience

- Design co-ordinated control dials, front: easily access dials in front with strong grip for effortless turning.
- Ignition via control dials: just push and turn the dials to ignite the flame.

Burners and power

- 5 gas burners:
- Left: wok burner up to 3.3 KW (depending on gas type)
- Center front: economy burner up to 1 KW (depending on gas type)
- Center rear: standard burner up to 1.75 KW (depending on gas type)
- Right rear: high-speed burner up to 3 KW (depending on gas type)
- Right front: standard burner up to 1.75 KW (depending on gas type)

Cleaning

- Dishwasher suitable pan supports for easy cleaning.

Safety

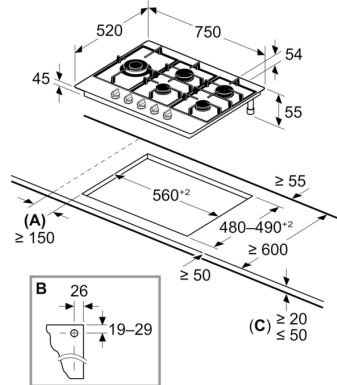
- Flame failure safety device: prevents unwanted gas flow when flame goes out.

Installation (gas types & measurements)

- Usable for: NG H/E 20mbar, E+ 20/25mbar
- Natural gas H 25 mbar (HU)
- Natural gas L 25 mbar (NL)
- Liquid gas G30,31 28-30/37mbar
- Liquid gas G30 37 mbar (PL)
- Liquid gas 50 mbar
- Pre-set for natural gas
- Nozzle set for LPG jets included. Connection to 28-30/37 mbar bottled gas. Nozzles for all other gas types can be ordered via the customer service. For nozzle change, please contact the customer service.
- Dimensions of the product (HxWxD mm): 54.2 x 750 x 520
- Required niche size for installation (HxWxD mm) : 45 x 560 x (480 - 490)
- Min. worktop thickness: 20 mm
- Power cord: 1 m
- Connected load: 10.8 KW

Series 4, Gas hob, 75 cm, Stainless steel PGM7B5K90

Measurements in mm



A: Min. distance from the hob cut-out to the wall

B: Position of gas connection in the cut-out

C: With fitted oven underneath possibly more; see space requirements for the oven

For worktop thickness between 12 mm to 20 mm need additional spacer, contact customer service for details