

**Series 2, Gas hob, 60 cm, Stainless steel
PBP6B5B60**



HEZ298105 Simmer plate
HEZ298114 Small pot support

Gas hob with side-mounted controls: the desired cooking zones can be conveniently operated from the side.

- The seamless, one-piece stainless steel design makes cleaning simple
- Heavy-duty continuous surface grates can be easily and quickly cleaned in the dishwasher.

Appliance type: gas hob w integrated controls
 Built-in / Free-standing: Built-in
 Heating type: Gas
 Number of cooking zones: 4
 Type of control setting devices: sword knobs
 Min. required niche size for installation (HxWxD): 45 x 560-562 x 480-492 mm
 Width of the appliance: 580 mm
 Dimensions: 56x580x510 mm
 Dimensions of the packed product (HxWxD): 141 x 651 x 578 mm
 Net weight: 7.1 kg
 Gross weight: 8.0 kg
 Residual heat indicator: without
 Location of control panel: Lateral
 Basic surface material: Stainless steel
 Color of surface: Stainless steel
 Length electrical supply cord: 100.0 cm
 EAN code: 4242002821221
 Gas connection rating: 7400 W
 Fuse protection: 3 A
 Voltage: 220-240 V
 Frequency: 60; 50 Hz



Series 2, Gas hob, 60 cm, Stainless steel PBP6B5B60

Gas hob with side-mounted controls: the desired cooking zones can be conveniently operated from the side.

Design

- Stainless steel surface
- cast iron finish pan supports with rubber feet

Usage convenience

- Design co-ordinated control dials: access knobs on the side with strong grip for effortless turning.
- Ignition via control dials: just push and turn the dials to ignite the flame.

Burners and power

- 4 gas burners:
- Left front: high-speed burner up to 3 kW (depending on gas type)
- Left rear: Standard burner up to 1.7 KW (depending on gas type)
- Right rear: standard burner up to 1.7 KW (depending on gas type)
- Right front: economy burner up to 1 KW (depending on gas type)

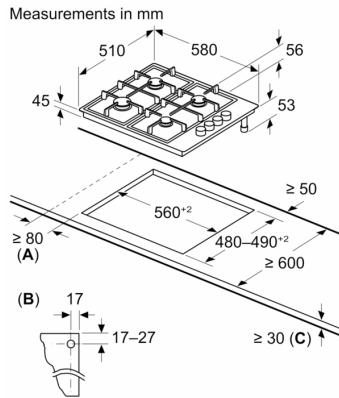
Safety

- Flame failure safety device: prevents unwanted gas flow when flame goes out.

Installation (gas types & measurements)

- Usable for: Nat gas L/LL G25/20mbar(DE)
- NG H/E 20mbar, E+ 20/25mbar Natural gas H 25 mbar (HU) Natural gas L 25 mbar (NL) Liquid gas G30,31 28-30/37mbar Liquid gas G30 37 mbar (PL) Liquid gas 50 mbar
- Pre-set for natural gas
- Nozzle set for LPG jets included. Connection to 28-30/37 mbar bottled gas. Nozzles for all other gas types can be ordered via the customer service. For nozzle change, please contact the customer service.
- Dimensions of the product (HxWxD mm): 56 x 580 x 510
- Required niche size for installation (HxWxD mm) : 45 x 560 x (480 - 492)
- Min. worktop thickness: 30 mm
- Power cord: 1 m
- Connected load: 7.4 KW

Series 2, Gas hob, 60 cm, Stainless steel
PBP6B5B60



A: Min. distance from the hob cut-out to the wall

B: Position of gas connection in the cut-out

C: With fitted oven underneath possibly more; see space requirements for the oven