

**Series 2, Gas hob, 60 cm, White  
PBP6B2B60**



HEZ298105 Simmer plate  
HEZ298114 Small pot support

**Gas hob with side-mounted controls: the desired cooking zones can be conveniently operated from the side.**

- Heavy-duty continuous surface grates can be easily and quickly cleaned in the dishwasher.

Appliance type: ..... gas hob w integrated controls  
 Built-in / Free-standing: ..... Built-in  
 Heating type: ..... Gas  
 Number of cooking zones: ..... 4  
 Type of control setting devices: ..... sword knobs  
 Min. required niche size for installation (HxWxD): ..... 45 x 560-562 x 480-492 mm  
 Width of the appliance: ..... 580 mm  
 Dimensions: ..... 56x580x510 mm  
 Dimensions of the packed product (HxWxD): ..... 141 x 651 x 578 mm  
 Net weight: ..... 7.1 kg  
 Gross weight: ..... 8.0 kg  
 Residual heat indicator: ..... without  
 Location of control panel: ..... Lateral  
 Basic surface material: ..... Enamel  
 Color of surface: ..... White  
 Length electrical supply cord: ..... 100.0 cm  
 EAN code: ..... 4242002857572  
 Gas connection rating: ..... 7400 W  
 Fuse protection: ..... 3 A  
 Voltage: ..... 220-240 V  
 Frequency: ..... 60; 50 Hz



## Series 2, Gas hob, 60 cm, White PBP6B2B60

**Gas hob with side-mounted controls: the desired cooking zones can be conveniently operated from the side.**

---

### Design

- Enamel surface, white
- cast iron finish pan supports with rubber feet

### Usage convenience

- Design co-ordinated control dials: access knobs on the side with strong grip for effortless turning.
- Ignition via control dials: just push and turn the dials to ignite the flame.

### Burners and power

- 4 gas burners:
- Left front: high-speed burner up to 3 kW (depending on gas type)
- Left rear: Standard burner up to 1.7 KW (depending on gas type)
- Right rear: standard burner up to 1.7 KW (depending on gas type)
- Right front: economy burner up to 1 KW (depending on gas type)

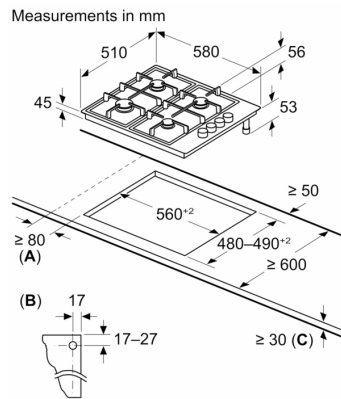
### Safety

- Flame failure safety device: prevents unwanted gas flow when flame goes out.

### Installation (gas types & measurements)

- Usable for: Nat gas L/LL G25/20mbar(DE)
- NG H/E 20mbar, E+ 20/25mbar Natural gas H 25 mbar (HU) Natural gas L 25 mbar (NL) Liquid gas G30,31 28-30/37mbar Liquid gas G30 37 mbar (PL) Liquid gas 50 mbar
- Pre-set for natural gas
- Nozzle set for LPG jets included. Connection to 28-30/37 mbar bottled gas. Nozzles for all other gas types can be ordered via the customer service. For nozzle change, please contact the customer service.
- Dimensions of the product (HxWxD mm): 56 x 580 x 510
- Required niche size for installation (HxWxD mm) : 45 x 560 x (480 - 492)
- Min. worktop thickness: 30 mm
- Power cord: 1 m
- Connected load: 7.4 KW

## Series 2, Gas hob, 60 cm, White PBP6B2B60



**A:** Min. distance from the hob cut-out to the wall

**B:** Position of gas connection in the cut-out

**C:** With fitted oven underneath possibly more; see space requirements for the oven