

Series 4, Built-under double oven NBS533BB0B



A



HEZ327000 Pizza stone, HEZ32WA00 Wireless food thermometer, HEZ530000 Half tray, HEZ531010 Baking tray, non-stick ceramic coated, HEZ532010 Universal pan, non-stick ceramic coated, HEZ538000 1fold telescopic rail, level independent, HEZ617000 Pizza pan, enamelled, HEZ629070 Air Fry & Grill tray, HEZ631070 Baking tray, enamelled, HEZ632070 Multipurpose pan, enamelled, HEZ634000 Baking and roasting grid, HEZ636000 Glass pan, HEZ638000 Full ext rails, level independent, HEZ664000 Baking and roasting grid, steam, HEZ915003 Glass roasting dish, 5,4 L

The built-in double compact oven with 3D hot air: achieve perfect baking and roasting results on multiple levels simultaneously.

- **Red LED display control:** easy-to-use thanks to the time functions.
- **Pop-out controls:** Make the front of the oven easy to clean and give it a sleek look.
- **EcoClean Direct:** less cleaning effort thanks to a special coating which covers the rear wall of the lower oven.
- **2 universal pans, slim size:** optimized for smaller amounts of different dishes.

Built-in / Free-standing: Built-in
 Integrated Cleaning system: No
 Dimensions: 717x594x550 mm
 Dimensions of the packed product (HxWxD): 790 x 660 x 690 mm
 Control Panel Material: Glass
 Door Material: Glass
 Net weight: 47.8 kg
 Usable volume of cavity: 47 l
 Cooking method: Full width grill, Hotair gentle, Hot Air, Conventional heat, Hot air grilling
 Oven control: mechanical
 Number of interior lights: 1
 EAN code: 4242005034611
 Energy efficiency rating: A
 Energy consumption per cycle conventional (2010/30/EC): 0.84 kWh/cycle
 Energy consumption per cycle forced air convection (2010/30/EC): 71 kWh/cycle
 Energy efficiency class (2010/30/EC) - cavity 2: B
 Energy consumption per cycle conventional - cavity 2 (2010/30/EC): 0.83 kWh/cycle
 Energy efficiency index (2010/30/EC): 94.7 %
 Energy efficiency index cavity 2 (2010/30/EC): 120.3 %
 Connection rating: 5300 W
 Fuse protection: 25 A
 Voltage: 220-240 V
 Frequency: 50 Hz
 Plug type: no plug (electrical connection by electrician), fixed connection (electrical connection by electrician)
 Included accessories cavity 1: 2 x combination grid, 1 x universal pan, 2 x Universal pan, slim size



Series 4, Built-under double oven NBS533BB0B

The built-in double compact oven with 3D hot air: achieve perfect baking and roasting results on multiple levels simultaneously.

- Niche dimension (hxwx): 720 mm - 720 mm x 560 mm - 568 mm x 550 mm
- Appliance dimension (hxwx): 717 mm x 594 mm x 550 mm
- Please refer to the dimensions provided in the installation manual

Design

- LED-Display Control (Red)
- Rotary dial, Retractable control dials, round
- Straight bar handle
- Interior halogen light

Features

- Control panel lock
- Electronic clock timer
- Automatic start
- Heating-up indicator

Top oven additional features

- Cavity volume: 34 litre capacity
- Full glass inner door
- 3 shelf positions
- Cavity (inner surface) top: Enamel grey
- Door hinge small cavity: Drop down oven door

Top oven

- Oven with 3 heating methods: conventional top/bottom heat, Large-area grill, Small area grill
- Temperature range 50 °C - 275 °C

Main oven additional features

- Cavity volume: 47 litre capacity
- EcoClean Direct : back panel
- Full glass inner door
- Door hinge big cavity: Drop down door

Main oven

- Oven with 5 heating methods: 3D Hotair, conventional top and bottom heat, Hotair grilling, full width variable grill, Hotair gentle
- Temperature range 50 °C - 275 °C
- Fast pre-heating function

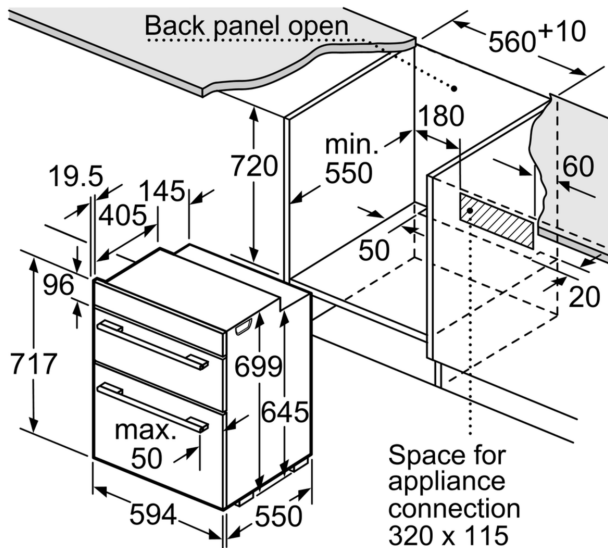
Accessories

- 2 x combination grid, 1 x universal pan, 2 x Universal pan, slim size

Performance/technical information

- Energy efficiency rating (acc. EU Nr. 65/2014): B(at a range of energy efficiency classes from A+++ to D)
- Energy consumption per cycle in conventional mode:0.83 kwh
- Number of cavities: Top Cavity Heat source: electrical
- Energy efficiency rating (acc. EU Nr. 65/2014): B(at a range of energy efficiency classes from A+++ to D)
- Energy consumption per cycle in conventional mode:0.83 kWh
- Energy consumption per cycle in fan-forced convection mode:0.71 kwh
- Number of cavities: Main Cavity Heat source: electrical
- Total connected load electric: 5.3 KW
- Nominal voltage: 220 - 240 V

Series 4, Built-under double oven NBS533BB0B



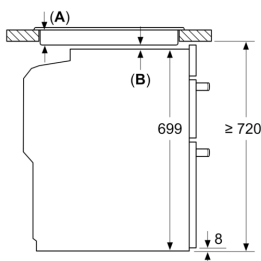
measurements in mm

measurements in mm

If the appliance will be installed underneath a hob, the following worktop thicknesses (including substructure if necessary) must be taken into account.

Hob type	min. worktop thickness	
	fitted	flush
Induction hob	39	40
Full-surface induction hob	49	50
Gas hob	29	40
Electric hob	29	32

measurements in mm
Installation with a hob



A: Recessed depth 29-50 mm.
See hob dimensional drawing.
B: Min. distance:
Induction hob: 5 mm
Gas hob: 5 mm
Electric hob: 2 mm

measurements in mm

