

Series 4, Built-in double oven MBS533BB0B



A



HEZ327000 Pizza stone, HEZ32WA00 Wireless food thermometer, HEZ530000 Half tray, HEZ531010 Baking tray, non-stick ceramic coated, HEZ532010 Universal pan, non-stick ceramic coated, HEZ538000 1fold telescopic rail, level independent, HEZ617000 Pizza pan, enamelled, HEZ629070 Air Fry & Grill tray, HEZ631070 Baking tray, enamelled, HEZ632070 Multipurpose pan, enamelled, HEZ633001 Lid for professional pan, enamelled, HEZ633070 Professional pan with grid, enamelled, HEZ634000 Baking and roasting grid, HEZ636000 Glass pan, HEZ664000 Baking and roasting grid, steam, HEZ915003 Glass roasting dish, 5,4 L, HZ638000 Full ext rails, level independent

The built-in double oven with 3D hot air: achieve perfect baking and roasting results on multiple levels simultaneously.

- **Red LED display control:** easy-to-use thanks to the time functions.
- **Pop-out controls:** Make the front of the oven easy to clean and give it a sleek look.
- **EcoClean Direct:** less cleaning effort thanks to a special coating which covers the rear wall of the lower oven.
- **2 universal pans, slim size:** optimized for smaller amounts of different dishes.

Built-in / Free-standing: Built-in
 Integrated Cleaning system: No
 Dimensions: 888x594x550 mm
 Dimensions of the packed product (HxWxD): 960 x 660 x 690 mm
 Control Panel Material: Glass
 Door Material: Glass
 Net weight: 51.6 kg
 Usable volume of cavity: 71 l
 Cooking method: Full width grill, Hotair gentle, Hot Air, Conventional heat, Hot air grilling
 Oven control: mechanical
 Number of interior lights: 1
 EAN code: 4242005034529
 Energy efficiency rating: A
 Energy consumption per cycle conventional (2010/30/EC): 1.02 kWh/cycle
 Energy consumption per cycle forced air convection (2010/30/EC): 81 kWh/cycle
 Energy efficiency class (2010/30/EC) - cavity 2: B
 Energy consumption per cycle conventional - cavity 2 (2010/30/EC): 83 kWh/cycle
 Energy efficiency index (2010/30/EC): 95.3 %
 Energy efficiency index cavity 2 (2010/30/EC): 120.3 %
 Connection rating: 5900 W
 Fuse protection: 32 A
 Voltage: 220-240 V
 Frequency: 50 Hz
 Plug type: no plug (electrical connection by electrician), fixed connection (electrical connection by electrician)
 Included accessories cavity 1: 3 x combination grid, 1 x universal pan, 2 x Universal pan, slim size



Series 4, Built-in double oven MBS533BB0B

- Please refer to the dimensions provided in the installation manual

The built-in double oven with 3D hot air: achieve perfect baking and roasting results on multiple levels simultaneously.

Design

- LED-Display Control (Red)
- Interior halogen light
- Rotary dial, Retractable control dials, round
- Electronic clock timer
- Straight bar handle

Features

- Control panel lock

Top oven additional features

- Cavity volume: 34 litre capacity
- Full glass inner door
- Cavity (inner surface) top: Enamel grey
- Door hinge small cavity: Drop down oven door

Main oven additional features

- Cavity volume: 71 litre capacity
- EcoClean Direct : back panel
- Full glass inner door
- Door hinge big cavity: Drop down door
- 5 shelf positions

Top oven

- Oven with 3 heating methods: conventional top/bottom heat, Large-area grill, Small area grill
- Temperature range 50 °C - 275 °C

Main oven

- Oven with 5 heating methods: 3D Hotair, conventional top and bottom heat, Hotair grilling, full width variable grill, Hotair gentle
- Fast pre-heating function
- Temperature range 50 °C - 275 °C

Accessories

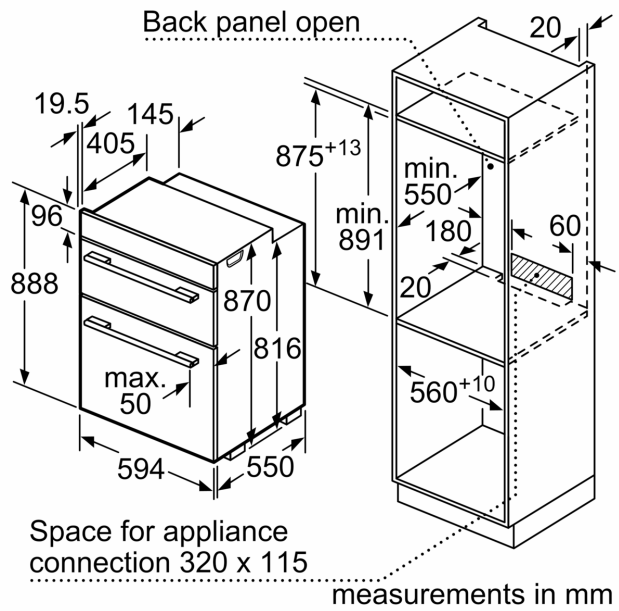
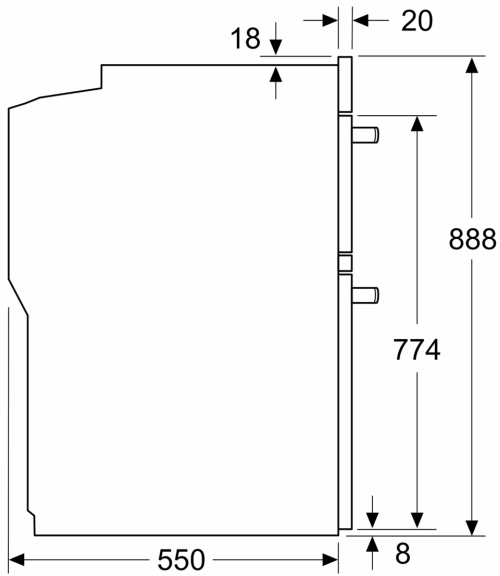
- 3 x combination grid, 1 x universal pan, 2 x Universal pan, slim size

Performance/technical information

- Energy efficiency rating (acc. EU Nr. 65/2014): B(at a range of energy efficiency classes from A+++ to D)
- Energy consumption per cycle in conventional mode:0.83 kwh
- Number of cavities: Top Cavity Heat source: electrical
- Energy efficiency rating (acc. EU Nr. 65/2014): B(at a range of energy efficiency classes from A+++ to D)
- Energy consumption per cycle in conventional mode:0.83 kWh
- Energy consumption per cycle in fan-forced convection mode:0.81 kwh
- Number of cavities: Main Cavity Heat source: electrical
- Total connected load electric: 5.9 KW
- Nominal voltage: 220 - 240 V
- Appliance dimension (hxwxh): 888 mm x 594 mm x 550 mm
- Niche dimension (hxwxh): 875 mm - 888 mm x 560 mm - 568 mm x 550 mm

Series 4, Built-in double oven
MBS533BB0B

measurements in mm



measurements in mm